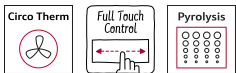


N 90, BUILT-IN COMPACT OVEN WITH
MICROWAVE FUNCTION, 60 X 45 CM,
GRAPHITE-GREY
C28MT27G1



Compact built-in oven with integral microwave and MultiPoint roast thermometer - even more ways to cook dishes to perfection, quickly and conveniently

- ✓ CircoTherm® – Smart hot-air solution that lets you bake on up to four levels.
- ✓ Combined microwave and oven - the convenient solution to save space and time
- ✓ Full Touch Control – Simple, precise control by touch on the high-resolution TFT colour display.
- ✓ Dual cleaning options: Pyrolytic cleaning programmes - just let the oven interior clean itself. EasyClean - the quick and easy option for day to day maintenance.
- ✓ Baking and Roasting Assistant with Automatic Programmes - the duo for optimal baking at your command

1 x enamel baking tray, 1 x combination grid, 1 x universal pan

Z11AB15A0 Baking tray, non-stick ceramic coated, Z11AU15A0 Universal pan, non-stick ceramic coated, Z11CR10X0 Baking and roasting grid (standard), Z11GT10X3 Glass roasting dish, 5,4l, Z11GU20X0 Glasspan, Z11SZ00X0 SeamlessCombination mounting kit, Z11SZ60X0 SeamlessCombination 45 + 14cm, Z11TC10X0 ComfortFlex Rail (1 level), Z12CB10A0 Baking tray, enamelled, Z12CM10A0 Moussaka pan, enamelled, Z12CP10A0 Pizza pan, enamelled, Z12CQ10A0 Grill tray, enamelled, Z12CU10A0 Multipurpose pan, enamelled, Z13CR10X0 Baking and roasting grid (steam), Z13CV05S0 Cover Strip, Z13CV06S0 Decor strip, Z1913X0 Baking Stone, Z19DD10X0 Steam set for ovens, Z99RX70X0 Connecting cable 3m

Type of micro-wave oven: MW-Combi
 Type of control: Electronic
 Dimensions: 455x596x548 mm
 Cavity dimensions: 237 x 480 x 392 mm
 Length electrical supply cord: 150.0 cm
 Net weight: 37.1 kg
 Gross weight: 40.2 kg
 EAN code: 4242004270683
 Maximum micro-wave power: 900 W
 Connection Rating: 3600 W
 Fuse protection: 16 A
 Voltage: 220-240 V
 Frequency: 50; 60 Hz
 Plug type: Gardy plug w/ earthing
 Included accessories: 1 x enamel baking tray, 1 x combination grid, 1 x universal pan



N 90, BUILT-IN COMPACT OVEN WITH
MICROWAVE FUNCTION, 60 X 45 CM,
GRAPHITE-GREY
C28MT27G1

Features

- Compact oven with microwave with 13 main functions heating methods: CircoTherm®, CircoTherm® Gentle, Top/bottom heat, Conventional heat Gentle, Circo-roasting, Full surface grill, Centre surface grill, CircoTherm® intensive, Bottom heat, Low temperature cooking, Dough proving, Plate warming, Keep warm
- Additional heating methods with microwave: Microwave, Microwave combination cooking
- Max. Power: 900 W; 5 Microwave power settings (90 W, 180 W, 360 W, 600 W, 900 W)
- Intelligent microwave inverter technology: For optimised results maximum output power will be regulated to 600 W when used in longer operation for gentler cooking.
- Temperature range 30 °C - 275 °C
- Cavity volume: 45 litre

Level independent telescopic rails

- 3 shelf positions
- 1 level telescopic shelf, pyrolytic proof

Design

- Graphite-Grey Edition
- Touch control
- Cavity inner surface: enamel anthracite

Cleaning

- Pyrolytic cleaning
- EasyClean

Programmes/functions

- 5.7" TFT colour and graphics display with FullTouch control
- Electronic clock timer
- Temperature proposal
- Actual temperature display Heating up indicator automatic programmes: Temperature probe
- Number of automatic programmes: 14 PC
- Drop down door, SoftClose, soft opening
- Bar handle
- Baking and roasting assistant, Automatic programmes
- MultiPoint MeatProbe
- Rapid heat
- LED light, On/off button
- Cooling fan
- Stainless-steel fan

Accessories

- 1 x enamel baking tray, 1 x combination grid, 1 x universal pan

Features

- 30 °C - Very low door temperature
- Quadruple glazed door glazed CoolTouch door
- Door lock during pyrolytic cleaning
- Control panel lock Automatic safety switch off Residual heat

indicator Start button Door contact switch

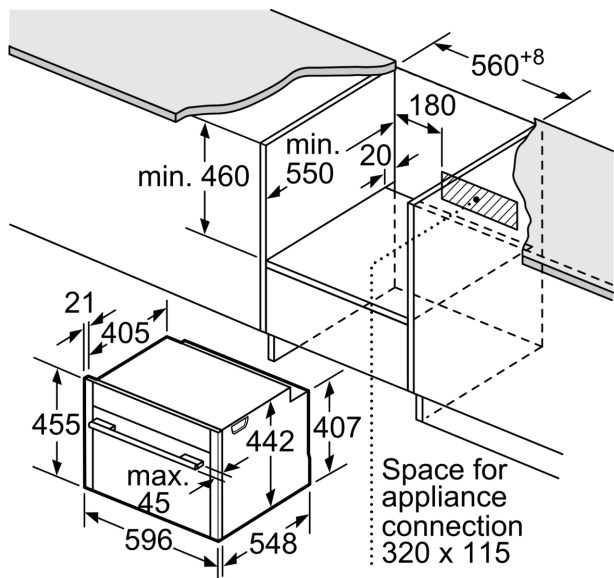
Technical information

- Power cord length 150 cm Cable length
- Nominal voltage: 220 - 240 V
- Total connected load electric: 3.6 KW

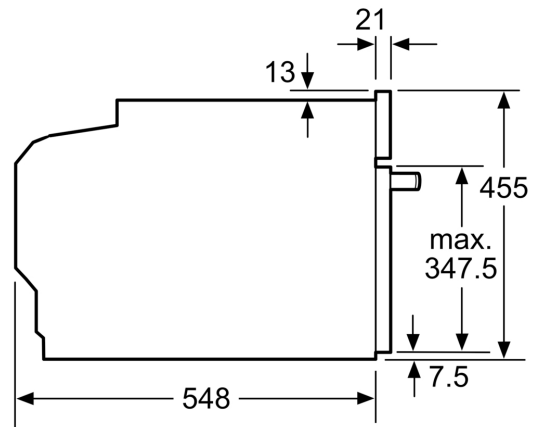
Performance/technical information

- Appliance dimension (hxwxh): 455 mm x 596 mm x 548 mm
- Niche dimension (hxwxh): 450 mm - 455 mm x 560 mm - 568 mm x 550 mm
- Please refer to the dimensions provided in the installation manual
- We recommend you to choose complementary products within N90, in order to assure an optimal design combination of your Built-In appliances.

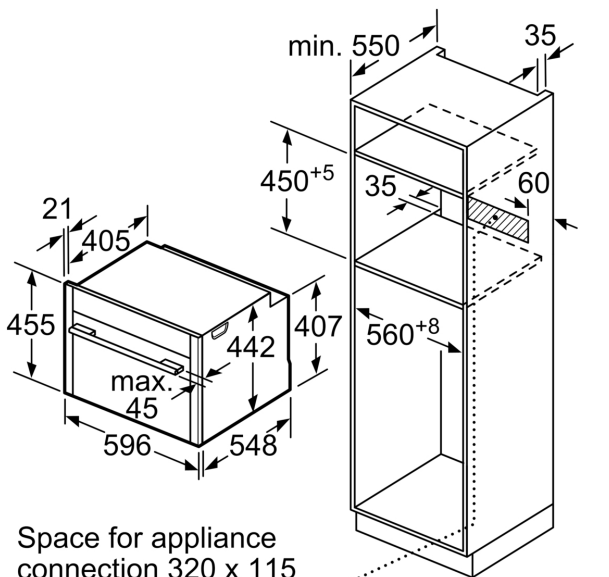
N 90, BUILT-IN COMPACT OVEN WITH
MICROWAVE FUNCTION, 60 X 45 CM,
GRAPHITE-GREY
C28MT27G1



measurements in mm

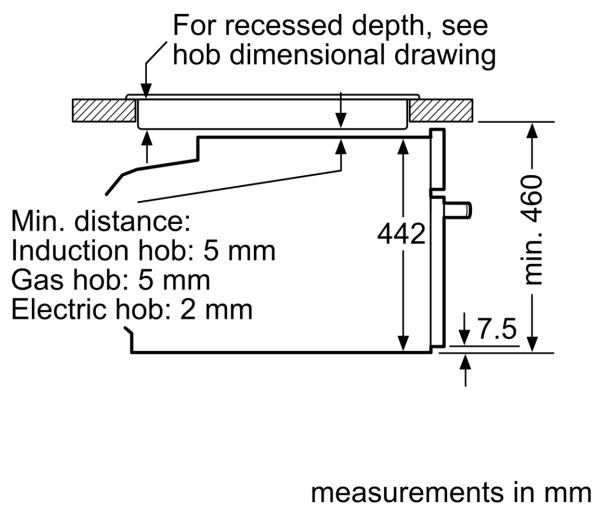


measurements in mm



measurements in mm

Installation with a hob.



measurements in mm

If the compact appliance will be installed underneath a hob, the following worktop thicknesses (including substructure if necessary) must be taken into account.

Hob type	min. worktop thickness	
	fitted	flush
Induction hob	42 mm	43 mm
Full surface Induction hob	52 mm	53 mm
Gas hob	32 mm	43 mm
Electric hob	32 mm	35 mm