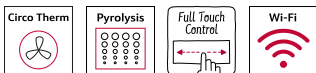


N 90, BUILT-IN COMPACT OVEN WITH  
MICROWAVE FUNCTION, 60 X 45 CM, STAINLESS  
STEEL  
C28MT27H0B



#### Included accessories

1 x combination grid, 1 x universal pan

#### Optional accessories

Z11AB15A0 Baking tray, non-stick ceramic coated, Z11AU15A0  
Universal pan, non-stick ceramic coated, Z11GT10X3 Glass  
roasting dish, 5,4l, Z11GU20X0 Glasspan, Z11SZ00X0  
SeamlessCombination mounting kit, Z11SZ60X0  
SeamlessCombination 45 + 14cm, Z11SZ90X0  
SeamlessCombination 60 + 45cm, Z12CB10A0 Baking tray,  
enamelled, Z12CM10A0 Moussaka pan, enamelled, Z12CP10A0  
Pizza pan, enamelled, Z12CQ10A0 Grill tray, enamelled,  
Z12CU10A0 Multipurpose pan, enamelled, Z13CR10X0 Baking and  
roasting grid (steam), Z13CV06S0 Decor strip, Z14CR10X0 Baking  
and roasting grid (microwave), Z1913X0 Baking Stone,  
Z19DD10X0 Steam set for ovens

Compact built-in oven with integral microwave and MultiPoint  
roast thermometer - even more ways to cook dishes to  
perfection, quickly and conveniently

- ✓ CircoTherm® – Smart hot-air solution that lets you bake on up to four levels.
- ✓ Combined microwave and oven - the convenient solution to save space and time
- ✓ Dual cleaning options: Pyrolytic cleaning programmes - just let the oven interior clean itself. EasyClean - the quick and easy option for day to day maintenance.
- ✓ Full Touch Control – Simple, precise control by touch on the high-resolution TFT colour display.
- ✓ Home Connect – Unleash your creativity via app.

#### Features

##### Technical Data

Type of micro-wave oven: ..... MW-Combi  
Type of control: ..... Electronic  
Dimensions: ..... 455 x 596 x 548 mm  
Cavity dimensions: ..... 237.0 x 480 x 392.0 mm  
Length of electrical supply cord: ..... 150.0 cm  
Net weight: ..... 37.2 kg  
Gross weight: ..... 40.2 kg  
EAN code: ..... 4242004236535  
Maximum micro-wave power: ..... 900 W  
Connection rating: ..... 3600 W  
Fuse protection: ..... 16 A  
Voltage: ..... 220-240 V  
Frequency: ..... 50; 60 Hz  
Plug type: ..... no plug  
(electrical connection by electrician)  
Included accessories: ..... 1 x combination grid, 1 x universal pan



N 90, BUILT-IN COMPACT OVEN WITH  
MICROWAVE FUNCTION, 60 X 45 CM, STAINLESS  
STEEL  
C28MT27H0B

## Features

### Design

- 5.7" TFT colour and graphics display with FullTouch control
- Cavity inner surface: enamel anthracite
- Drop down door, SoftClose, soft opening
- Touch control
- Bar handle
- We recommend you to choose complementary products within N90, in order to assure an optimal design combination of your Built-In appliances.

### Features

- HomeConnect ready on WLAN
- Door lock during pyrolytic cleaning
- Control panel lock
- Automatic safety switch off
- Residual heat indicator
- Start button
- Door contact switch
- Temperature proposal
- Actual temperature display
- Heating up indicator
- automatic programmes:
- Temperature probe
- Baking and roasting assistant, Automatic programmes
- Intelligent microwave inverter technology: For optimised results maximum output power will be regulated to 600 W when used in longer operation for gentler cooking.
- MultiPoint MeatProbe
- LED light, On/off button
- Cooling fan
- Electronic clock timer
- 3 shelf positions

### Cleaning

- Pyrolytic cleaning
- EasyClean

### Programmes/functions

- Compact oven with microwave with 13 main functions heating methods: CircoTherm®, CircoTherm® Gentle, Top/bottom heat, Conventional heat Gentle, Circo-roasting, Full surface grill, Centre surface grill, CircoTherm® intensive, Bottom heat, Low temperature cooking, Dough proving, Plate warming, Keep warm
- Additional heating methods with microwave: Microwave, Microwave combination cooking
- Max. Power: 900 W; 5 Microwave power settings (90 W, 180 W, 360 W, 600 W, 900 W)
- Number of automatic programmes: 14 PC
- Rapid heat

### Accessories

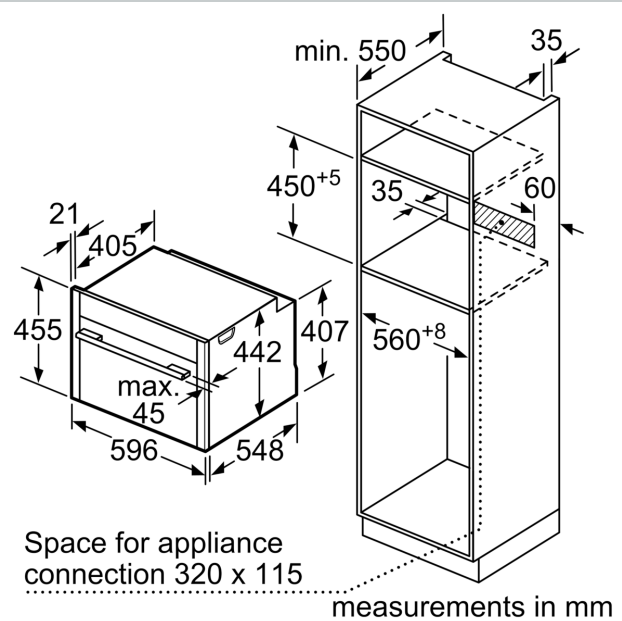
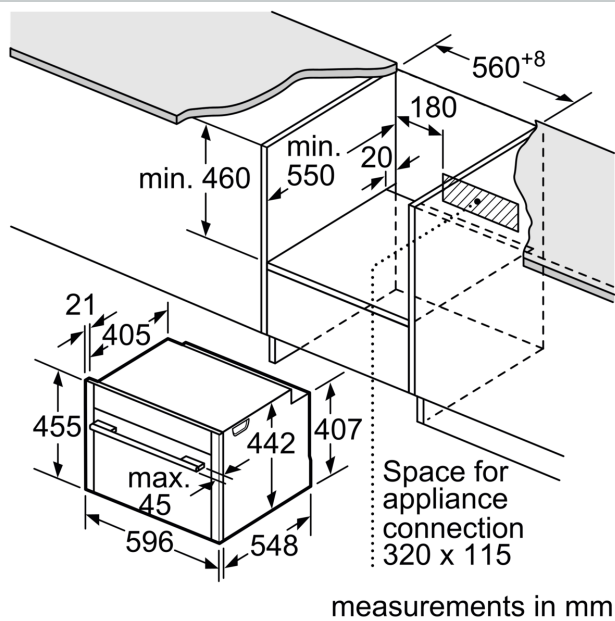
- 1 level telescopic shelf, pyrolytic proof
- 1 x combination grid, 1 x universal pan

### Performance/technical information

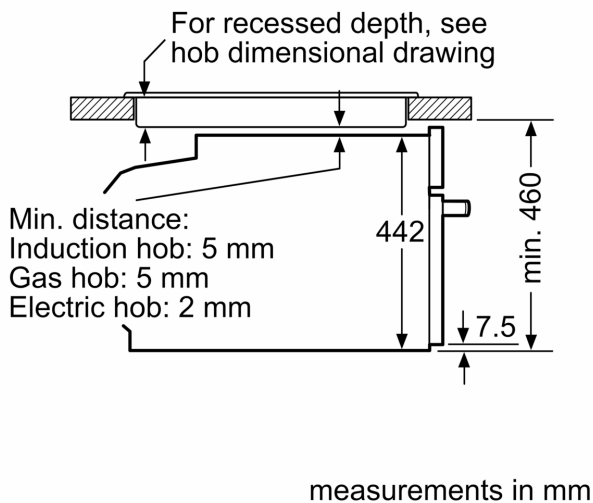
- Cavity volume: 45 litre
- Temperature range 30 °C - 275 °C
- Power cord length 150 cm Cable length
- Total connected load electric: 3.6 KW
- Nominal voltage: 220 - 240 V
- Appliance dimension (hxxxd): 455 mm x 596 mm x 548 mm
- Niche dimension (hxxxd): 450 mm - 455 mm x 560 mm - 568 mm x 550 mm
- Please refer to the dimensions provided in the installation manual

N 90, BUILT-IN COMPACT OVEN WITH MICROWAVE FUNCTION, 60 X 45 CM, STAINLESS STEEL  
C28MT27HOB

Dimensioned drawings



Installation with a hob.



If the compact appliance will be installed underneath a hob, the following worktop thicknesses (including substructure if necessary) must be taken into account.

Hob type	min. worktop thickness	
	fitted	flush
Induction hob	42 mm	43 mm
Full surface Induction hob	52 mm	53 mm
Gas hob	32 mm	43 mm
Electric hob	32 mm	35 mm