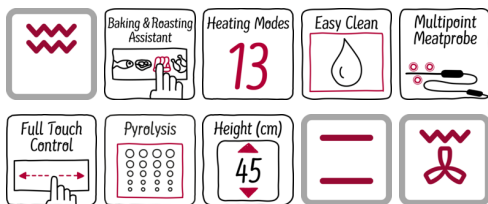


N 90, Built-in compact oven with microwave function,
Stainless steel
C28MT27NOB



Optional accessories

Z11GT10X3 : Glass roasting dish, 5,4l , Z11GU20X0 :
Glasspan , Z11SZ00X0 : SeamlessCombination mounting kit ,
Z11SZ60X0 : SeamlessCombination 45 + 14cm , Z11SZ90X0 :
SeamlessCombination 60 + 45cm , Z12CB10A0 : Baking tray,
anthracite enamelled , Z12CM10A0 : Moussaka pan, anthracite
enamelled , Z12CP10A0 : Pizza pan, anthracite enamelled ,
Z12CQ10A0 : Grill tray, anthracite enamelled , Z13CV06S0 :
Decor strip , Z18M45X0 : Cookbook , Z1913X0 : Baking Stone ,
Z19DD10X0 : Steam set for ovens

Compact built-in oven with integral microwave and MultiPoint
roast thermometer - even more ways to cook dishes to
perfection, quickly and conveniently

- ✓ CircoTherm® - our smart hot-air solution for simultaneous baking and roasting on up to four levels
- ✓ Combined microwave and oven - the convenient solution to save space and time
- ✓ Dual cleaning options: Pyrolytic cleaning programmes - just let the oven interior clean itself. EasyClean - the quick and easy option for day to day maintenance.
- ✓ FullTouch Control - simple, precise oven control by fingertip touch on the smooth surface of the high resolution TFT colour display.
- ✓ Baking and Roasting Assistant with Automatic Programmes - the duo for optimal baking at your command
- ✓ Multipoint Meatprobe - the thermometer helps the oven regulate the temperature and automatically adjust the cooking time
- ✓ LED lights - Bright illumination exactly where you need it.

Features

Technical Data

Type of micro-wave oven : MW-Combi
Type of control : Electronic
Color / Material Front : Stainless steel
Dimensions of the product (mm) : 455 x 596 x 548
Cavity dimensions (mm) : 237.0 x 480 x 392.0
Length of electrical supply cord (cm) : 150
Net weight (kg) : 36.733
Gross weight (kg) : 39.0
EAN code : 4242004185857
Maximum micro-wave power (W) : 900
Connection rating (W) : 3600
Current (A) : 16
Voltage (V) : 220-240
Frequency (Hz) : 60; 50
Plug type : no plug



*N 90, Built-in compact oven with microwave
function, Stainless steel
C28MT27NOB*

Features

Design

- 5.7" TFT colour and graphics display with FullTouch control
- Drop down door, SoftClose, soft opening
- Enamel anthracite

Features

- Door lock during pyrolytic cleaning Control panel lock Automatic safety switch off Residual heat indicator Start button Door contact switch
- Temperature proposal Actual temperature display Heating up indicator Sabbath setting automatic programmes:
- Intelligent microwave inverter technology: For optimised results maximum output power will be regulated to 600 W when used in longer operation for gentler cooking.
- Baking and roasting assistant, Automatic programmes
- MultiPoint MeatProbe
- LED light, On/off button
- Cooling fan

Cleaning

- Pyrolytic cleaning
- EasyClean

Programmes/functions

- Compact oven with microwave with 13 main functions heating methods: CircoTherm®, CircoTherm® Gentle, Top/bottom heat, Conventional heat Gentle, Circo-roasting, Full surface grill, Centre surface grill, CircoTherm® intensive, Bottom heat, Low temperature cooking, Dough proving, Plate warming, Keep warm
- Additional heating methods with microwave: Microwave, Microwave combination cooking
- Max. Power: 900 W; 5 Microwave power settings (90 W,180 W,360 W,600 W,900 W)
- 1 x universal pan, 2 x combination grid

Technical information

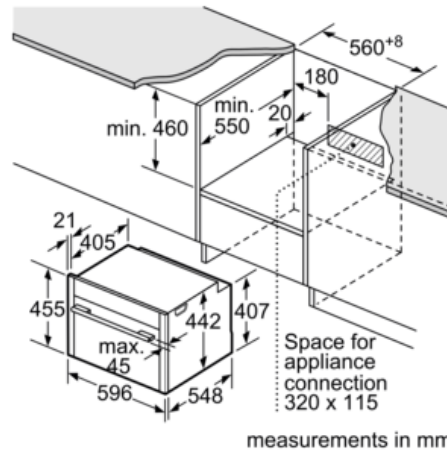
- Temperature range 30 °C - 275 °C
- Power cord length 150 cm Cable length
- Total connected load electric: 3.6 KW
- Nominal voltage: 220 - 240 V
- Appliance dimension (hxwxh): 455 mm x 596 mm x 548 mm
- Niche dimension (hxwxh): 450 mm - 455 mm x 560 mm - 568 mm x 550 mm
- Please refer to the dimensions provided in the installation manual

N 90, Built-in compact oven with microwave function, Stainless steel
C28MT27NOB

Dimensioned drawings

If the compact appliance will be installed underneath a hob, the following worktop thicknesses (including substructure if necessary) must be taken into account.

Hob type	min. worktop thickness	
	fitted	flush
Induction hob	42 mm	43 mm
Full surface Induction hob	52 mm	53 mm
Gas hob	32 mm	43 mm
Electric hob	32 mm	35 mm



Installation with a hob.

