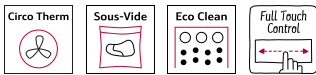


N 90, BUILT-IN COMPACT OVEN WITH STEAM FUNCTION, 60 X 45 CM, STAINLESS STEEL C88FT38N0B



A+



Compact built-in oven with FullSteam – combining all heating types and steam cooking in a single oven in a very small space

- ✓ CircoTherm® – Smart hot-air solution that lets you bake on up to four levels.
- ✓ Sous-vide - prepare vacuum-sealed dishes with FullSteam for a new horizon of flavour.
- ✓ Eco Clean with Base Clean - the duo that makes oven cleaning easier
- ✓ Full Touch Control – Simple, precise control by touch on the high-resolution TFT colour display.
- ✓ Baking and Roasting Assistant with Automatic Programmes - the duo for optimal baking at your command

1 x grid, 1 x universal pan, punched, size XL, 1 x steam container, unpunched, size S, 1 x sponge

Z13CR10X0 Baking and roasting grid (steam), Z13CU11X0 Steam container, punched size XL, Z13CU30X0 Steam container, unpunched, size S, Z13CU31X0 Steam container, punched, size S, Z13CV05S0 Cover Strip, Z12CB10A0 Baking tray, enamelled, Z12CM10A0 Moussaka pan, enamelled, Z12CP10A0 Pizza pan, enamelled, Z12CQ10A0 Grill tray, enamelled, Z12CU10A0 Multipurpose pan, enamelled, Z11AB10A0 Baking tray, non-stick coated, Z11AU10A0 Universal pan, non-stick coated, Z11GT10X3 Glass roasting dish, 5,4l, Z11GU20X0 Glasspan, Z11SZ00X0 SeamlessCombination mounting kit, Z11SZ60X0 SeamlessCombination 45 + 14cm, Z11SZ90X0 SeamlessCombination 60 + 45cm, Z13CV06S0 Decor strip, Z13CX62X0 Vacuum bags 180 x 280 mm, 100 pcs., Z13CX64X0 Vacuum bags 240 x 350 mm, 100 pcs., Z13TC10X0 ComfortFlex Rail (1 level) f. steam, Z18F45X0 Cookbook, Z99RX70X0 Connecting cable 3m

Built-in / Free-standing: ..... Built-in  
 Door opening: ..... Drop down  
 Required niche size for installation (HxWxD): 450-455 x 560-568 x 550 mm  
 Dimensions: ..... 455 x 596 x 548 mm  
 Dimensions of the packed product (HxWxD): . 530 x 660 x 690 mm  
 Control Panel Material: ..... Stainless steel  
 Door Material: ..... Glass  
 Net weight: ..... 30.9 kg  
 Length electrical supply cord: ..... 150.0 cm  
 EAN code: ..... 4242004213987  
 Fuse protection: ..... 16 A  
 Voltage: ..... 220-240 V  
 Frequency: ..... 50; 60 Hz  
 Plug type: ..... no plug  
 (electrical connection by electrician)  
 Usable volume (of cavity) - NEW (2010/30/EC): ..... 47 l  
 Energy efficiency rating: ..... A+  
 Energy consumption per cycle conventional (2010/30/EC): 0.73 kWh/cycle  
 Energy consumption per cycle forced air convection (2010/30/EC): ..... 0.61 kWh/cycle  
 Energy efficiency index (2010/30/EC): ..... 81.3 %  
 Included accessories: ..... 1 x grid, 1 x universal pan, 1 x steam container, punched, size S, 1 x steam container, punched, size XL, 1 x steam container, unpunched, size S, 1 x sponge



*N 90, BUILT-IN COMPACT OVEN WITH STEAM  
FUNCTION, 60 X 45 CM, STAINLESS STEEL  
C88FT38NOB*

**Programmes/functions**

- Rapid heat
- Compact steam oven with 13 main functions heating methods: CircoTherm®, CircoTherm® Gentle, Top/bottom heat, Conventional heat Gentle, Circo-roasting, Full surface grill, Centre surface grill, CircoTherm® intensive, Bread baking, Bottom heat, Low temperature cooking, Plate warming, Keep warm
- Additional heating methods with steam: Steaming, Reheat with steam, Dough proving, Defrost
- Additional functions:
- De-scaling programme
- Drying function Automatic boiling point detection
- Temperature range 40 °C - 250 °C

**Special features**

- EcoClean Direct : ceiling, back panel, side liners
- EcoClean programme, Base Clean programme
- Cavity inner surface: enamel anthracite
- Number of automatic programmes: 30 PC
- MultiPoint MeatProbe
- Stainless-steel fan
- 5.7" TFT colour and graphics display with FullTouch control
- Automatic safety switch off, Start button
- Drop down door, SoftClose, soft opening

**Features**

- Temperature proposal
- Actual temperature display Heating up indicator automatic programmes:
- Control panel lock
- Automatic safety switch off Residual heat indicator Start button Door contact switch
- 1 l Water tank capacity
- Water tank empty indicator
- Location of water tank: Outside cavity
- Full glass inner door
- Baking and roasting assistant, Automatic programmes
- LED light, On/off button
- Cooling fan
- Info button

**Design**

- Touch control
- Fully Integrated handle
- Electronic clock timer

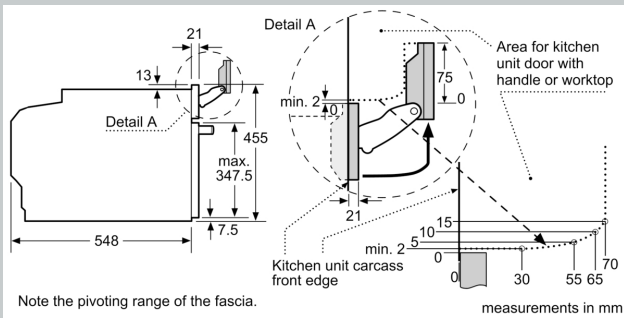
**Standard accessories**

- 1-level flexible telescopic rail, full extension, Stop function
- 1 x grid, 1 x sponge, 1 x steam container, punched, size S, 1 x steam container, punched, size XL, 1 x steam container, unpunched, size S, 1 x universal pan

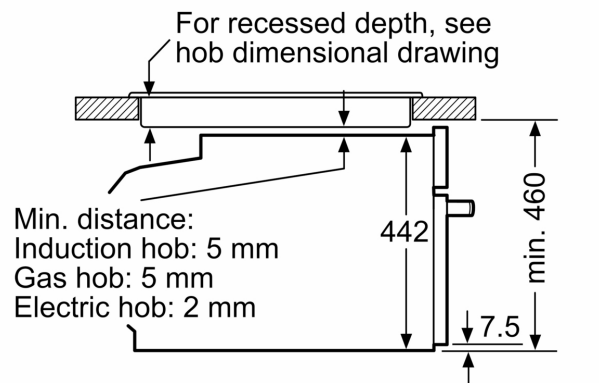
**Technical information**

- Energy efficiency rating (acc. EU Nr. 65/2014): A+
- Energy consumption per cycle in conventional mode: 81.3
- Energy consumption per cycle in fan-forced convection mode: 0.61 kwh
- Number of cavities: 1 Cavity volume: 47 litre
- Cavity volume: 47 litre
- Power cord length 150 cm Cable length
- Total connected load electric: 3.3 KW
- Appliance dimension (hxwx): 455 mm x 596 mm x 548 mm
- Niche dimension (hxwx): 450 mm - 455 mm x 560 mm - 568 mm x 550 mm
- Please refer to the dimensions provided in the installation manual

N 90, BUILT-IN COMPACT OVEN WITH STEAM FUNCTION, 60 X 45 CM, STAINLESS STEEL  
C88FT38NOB



Installation with a hob.



If the compact appliance will be installed underneath a hob, the following worktop thicknesses (including substructure if necessary) must be taken into account.

Hob type	min. worktop thickness	
	fitted	flush
Induction hob	42 mm	43 mm
Full surface Induction hob	52 mm	53 mm
Gas hob	32 mm	43 mm
Electric hob	32 mm	35 mm

