

N 30, Telescopic cooker hood, 60 cm, Silver metallic  
D46BR22NOB



COOKING PASSION SINCE 1877

Telescopic hood: designed to provide powerful extraction without impacting on your kitchen space or design. These hoods pull out from underneath a cabinet when required for a streamlined kitchen.

✓ Integrated Power Button – the telescopic hood automatically starts and stops when you slide it out and back in

C

#### Features

##### Technical Data

Typology : Pull-out

Approval certificates : CE, VDE

Length of electrical supply cord : 175 cm

Required niche size for installation (HxWxD) : 162mm x 526.0mm x 290mm mm

Minimum distance above an electric hob : 430 mm

Minimum distance above a gas hob : 650 mm

Net weight : 8.5 kg

Type of control : mechanical

Number of speed settings : 3

Maximum output air extraction : 387 m<sup>3</sup>/h

Maximum output recirculating air : 195 m<sup>3</sup>/h

Number of lights (Stck) : 2

Noise level : 67 dB(A) re 1 pW

Diameter of air outlet : 150 / 120 mm

Grease filter material : Washable aluminium

EAN code : 4242004204077

Connection rating : 145 W

Fuse protection : 10 A

Voltage : 220-240 V

Frequency : 50 Hz

Plug type : GB plug

Installation type : Built-in

#### Optional accessories

Z54TC01X0 Standard odor filter (replacement)

Z54TS01X0 Standard recirculation kit



4 242004 204077

*N 30, Telescopic cooker hood, 60 cm, Silver  
metallic  
D46BR22NOB*

## Features

### Features

- 2 x 20W halogen lights
- 2 metal grease filter cassettes
- metal grease filter
- 3 power levels

### Design

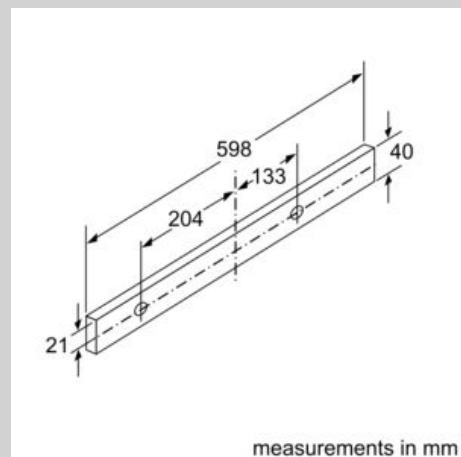
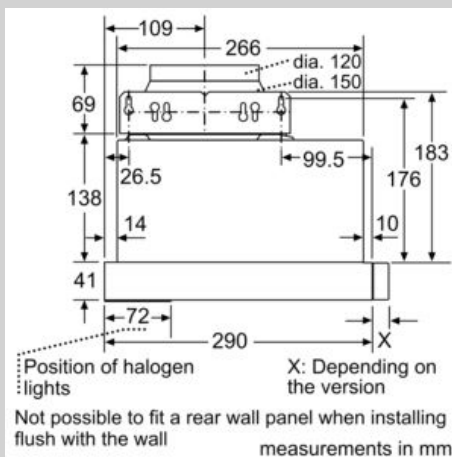
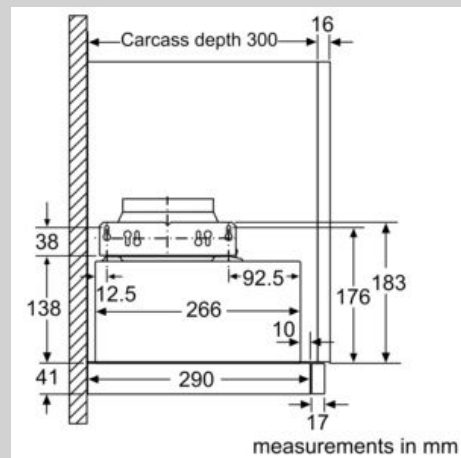
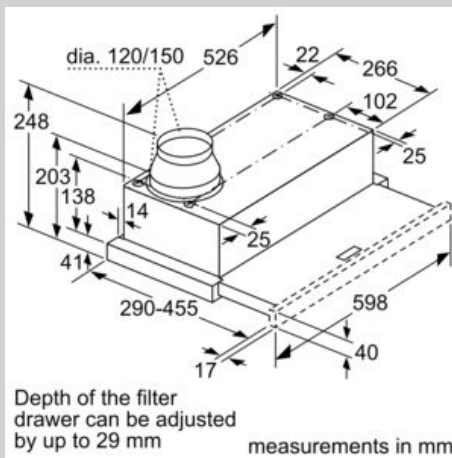
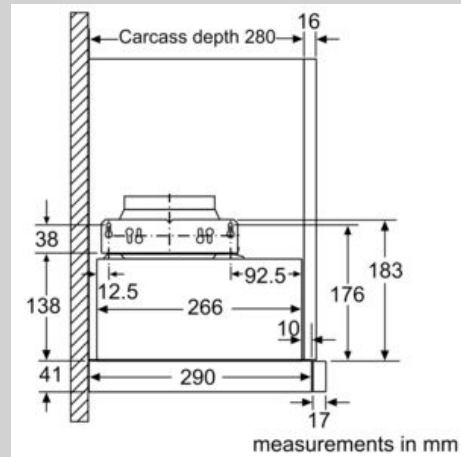
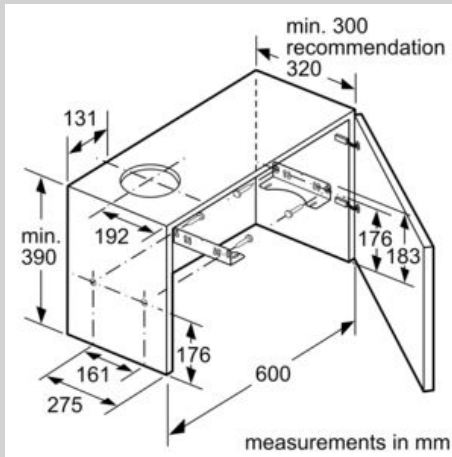
- Telescopic hood
- Silver metallic grey
- Switch control operation
- Mechanical controls
- Light Colour: warm white

### Performance/technical information

- Suitable for ducted extraction and recirculation
- For recirculated extraction recirculating kit (accessory) needed
- Extraction rate according to EN 61591 max. 387 m<sup>3</sup>/h
- Noise level according to EN 60704-3 and EN 60704-2-13 at maximum normal setting: extraction rate: 67 dB (A) re 1pW
- Noise max. Normal Level: Noise, max. speed in normal us: 67 dB dB\*
- Power rating: 145 W
- Light Intensity: 355 lux
- Colour Temperature: 2700 K
- Electrical cable length 1.75 m
- Diameter pipe Ø 150 mm (Ø 120 mm enclosed)
- Dimensions exhaust air (HxWxD): 203-203 x 598 x 290 mm
- Dimensions recirculating (HxWxD): 203-203 x 598 x 290 mm
- Built-in dimensions (HxWxD): 162 x 526 x 290 mm
- Energy Efficiency Class: C (at a range of energy efficiency classes from A+++ to D)
- Blower Efficiency Class: C\*
- Lighting Efficiency Class: E\*
- Grease Filtering Efficiency Class: B\*
- Average Energy Consumption: 68.3 kWh/year\*

N 30, Telescopic cooker hood, 60 cm, Silver metallic  
D46BR22NOB

## Dimensioned drawings



N 30, Telescopic cooker hood, 60 cm, Silver  
 metallic  
 D46BR22NOB

Dimensioned drawings

