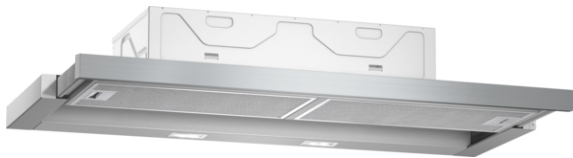


N 50, Telescopic cooker hood, 90 cm, Silver metallic  
D49ED22NOB



COOKING PASSION SINCE 1877



A



Telescopic hood: designed to provide powerful extraction without impacting on your kitchen space or design. These hoods pull out from underneath a cabinet when required for a streamlined kitchen.

- ✓ Efficient Drive Motor – Quiet and energy-efficient hood motor for a calmer kitchen.
- ✓ Intensive speed setting: increases the extraction rate when the steam gets intense
- ✓ LED Lighting – Clear illumination while you cook.
- ✓ Automatic After-running – ventilation continues for several minutes after you turn it off

#### Features

##### Technical Data

Typology : Pull-out  
Approval certificates : CE, VDE  
Length of electrical supply cord : 175 cm  
Required niche size for installation (HxWxD) : 162mm x 526.0mm x 290mm mm  
Minimum distance above an electric hob : 430 mm  
Minimum distance above a gas hob : 650 mm  
Net weight : 10.9 kg  
Type of control : Electronic  
Maximum output air extraction : 266 m<sup>3</sup>/h  
Boost position output recirculating : 178.0 m<sup>3</sup>/h  
Maximum output recirculating air : 166 m<sup>3</sup>/h  
Boost position air extraction : 412 m<sup>3</sup>/h  
Number of lights (Stck) : 2  
Noise level : 63 dB(A) re 1 pW  
Diameter of air outlet : 120 / 150 mm  
Grease filter material : Washable aluminium  
EAN code : 4242004204091  
Connection rating : 76 W  
Fuse protection : 10 A  
Voltage : 220-240 V  
Frequency : 60; 50 Hz  
Plug type : GB plug  
Installation type : Built-in

#### Optional accessories

Z54TC01X0 Standard odor filter (replacement)  
Z54TH90D0 Design Handle strip  
Z54TS01X0 Standard recirculation kit



4 242004 204091

*N 50, Telescopic cooker hood, 90 cm, Silver  
metallic  
D49ED22NOB*

## Features

### Features

- LED display
- 2 x LED lights
- 3 metal grease filter cassettes
- 3 speeds plus intensive
- Automatic after running (Automatic after running (10 minutes))
- Automatic intensive revert (6mins)

### Design

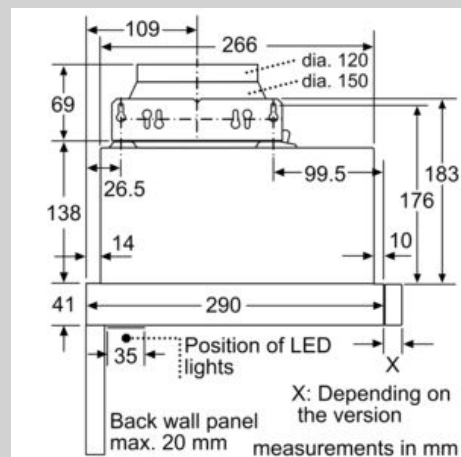
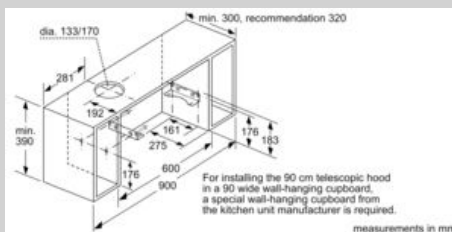
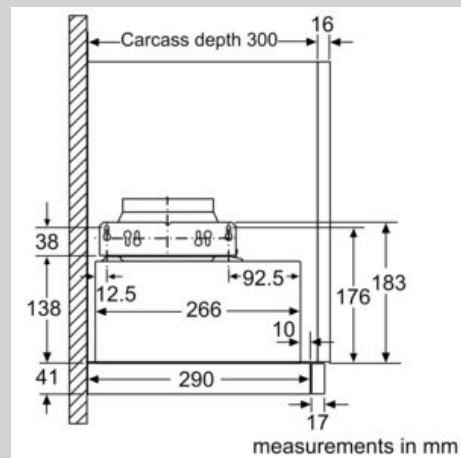
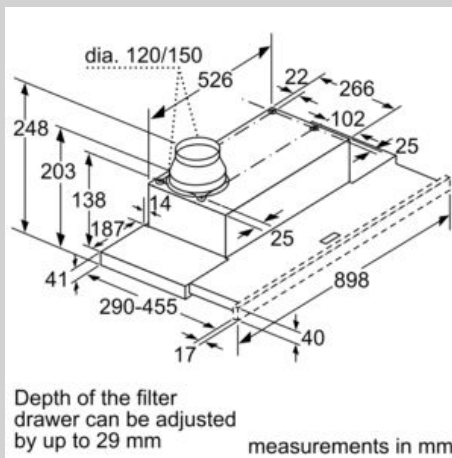
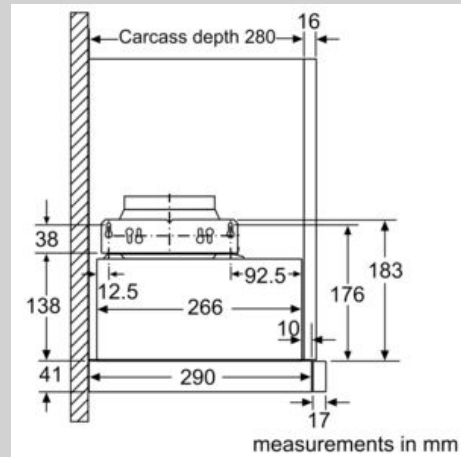
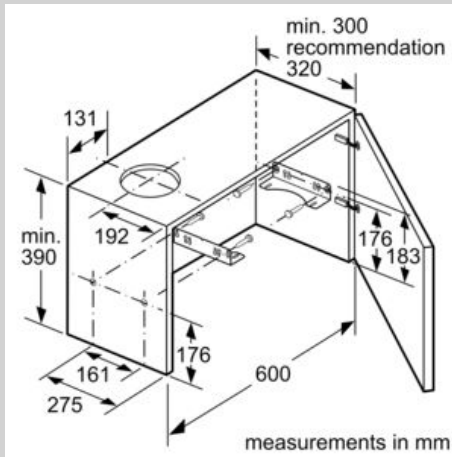
- Telescopic hood
- Silver metallic grey
- Standard design
- Soft touch control
- Electronic controls
- Neutral white lights

### Performance/technical information

- Installation system: Telescopic standard installat.
- Suitable for ducted extraction and recirculation
- For recirculated extraction recirculating kit (accessory) needed
- Extraction rate according to EN 61591 ø 15 cm:  
max. Normal use 265 m<sup>3</sup>/h  
Intensive 412 m<sup>3</sup>/h
- Power rating: 76 W
- Noise level according to EN 60704-3 and EN 60704-2-13 at  
maximum normal setting: extraction rate: 63 dB (A) re 1pW
- Noise max. Normal Level: Noise, max. speed in normal us: 63 dB  
dB\*
- Light Intensity: 593 lux
- Colour Temperature: 3500 K
- Electrical cable length 1.75 m
- Diameter pipe ø 150 mm (ø 120 mm enclosed)
- Dimensions exhaust air (HxWxD): 203-203 x 898 x 290 mm
- Dimensions recirculating (HxWxD): 203-203 x 898 x 290 mm
- Built-in dimensions (HxWxD): 162 x 526 x 290 mm
- Energy Efficiency Class: A (at a range of energy efficiency classes  
from A+++ to D)
- Blower Efficiency Class: B\*
- Lighting Efficiency Class: A\*
- Grease Filtering Efficiency Class: C\*
- Average Energy Consumption: 22.6 kWh/year\*

N 50, Telescopic cooker hood, 90 cm, Silver metallic  
D49ED22NOB

## Dimensioned drawings



N 50, Telescopic cooker hood, 90 cm, Silver  
 metallic  
 D49ED22NOB

## Dimensioned drawings

