

N 50, TELESCOPIC COOKER HOOD, 90 CM, SILVER METALLIC
D49ED22N1B



A



Telescopic hood: designed to provide powerful extraction without impacting on your kitchen space or design. These hoods pull out from underneath a cabinet when required for a streamlined kitchen.

- ✓ Efficient Drive Motor – Quiet and energy-efficient hood motor for a calmer kitchen.
- ✓ Intensive speed setting: increases the extraction rate when the steam gets intense
- ✓ LED Lighting – Clear illumination while you cook.
- ✓ Automatic After-running – ventilation continues for several minutes after you turn it off

Optional accessories

Z51ITB1X4	Clean Air Standard odor filter (repl.)
Z51IT11X4	Clean Air Standard recirculation kit
Z54TC01X0	Standard odor filter (replacement)
Z54TH90D1	Design Handle strip
Z54TH90N1	Handle strip
Z54TS01X0	Standard recirculation kit

Features

Technical Data

Typology: Pull-out
Length electrical supply cord: 175.0 cm
Min. required niche size for installation (HxWxD): 162mm x 526.0mm x 290mm mm
Minimum distance above an electric hob: 430 mm
Minimum distance above a gas hob: 650 mm
Net weight: 10.2 kg
Type of control: Electronic
Number of speed settings: 3-stages + intensive setting
Maximum output air extraction: 266 m ³ /h
Boost position output recirculating: 353 m ³ /h
Maximum output recirculating air: 263 m ³ /h
Boost position air extraction: 412 m ³ /h
Maximum Air flow: 266 m ³ /h
Number of lights: 3
Noise level: 63 dB(A) re 1 pW
Diameter of air outlet: 120 / 150 mm
Grease filter material: Washable aluminium
EAN code: 4242004251163
Connection Rating: 76 W
Fuse protection: 10 A
Voltage: 220-240 V
Frequency: 50; 60 Hz
Plug type: GB plug
Installation typology: Built-in
Delay Shut off modes: 10 min



N 50, TELESCOPIC COOKER HOOD, 90 CM, SILVER
METALLIC
D49ED22N1B

Features

Features

- Electronic controls via Soft touch control
- 3 speeds plus intensive
- 3 x 1,5W LED
- Efficient BLDC technology
- Automatic intensive revert (6mins)
- Automatic after running (Automatic after running (10 minutes))
- 3 metal grease filter cassettes

Design

- 90 cm wide
- Silver metallic grey
- Handle strip specification: stainless steel with logo
- Filter cover stainless steel, perforated and dishwasher safe

Performance

- Suitable for ducted extraction and recirculation
- For recirculated extraction recirculating kit (accessory) needed
- Energy Efficiency Class: A (at a range of energy efficiency classes from A+++ to D)
- Extraction rate according to EN 61591 ø 15 cm:
 - max. Normal use 266m³/h
 - Intensive 412 m³/h
- Noise level according to EN 60704-3 and EN 60704-2-13 at max. normal use exhaust air: 63 dB(A) re 1 pW
- Noise level according to EN 60704-3 and EN 60704-2-13 exhaust air:
 - Max. normal use: 63dB(A) re 1 pW
 - Intensive: 70 dB(A) re 1 pW
- Colour Temperature: 3500 K
- Light Intensity: 355 lux
- Average Energy Consumption: 22.2 kWh/year*
- Power rating: 76 W
- Blower Efficiency Class: B*
- Lighting Efficiency Class: A*
- Grease Filtering Efficiency Class: C*

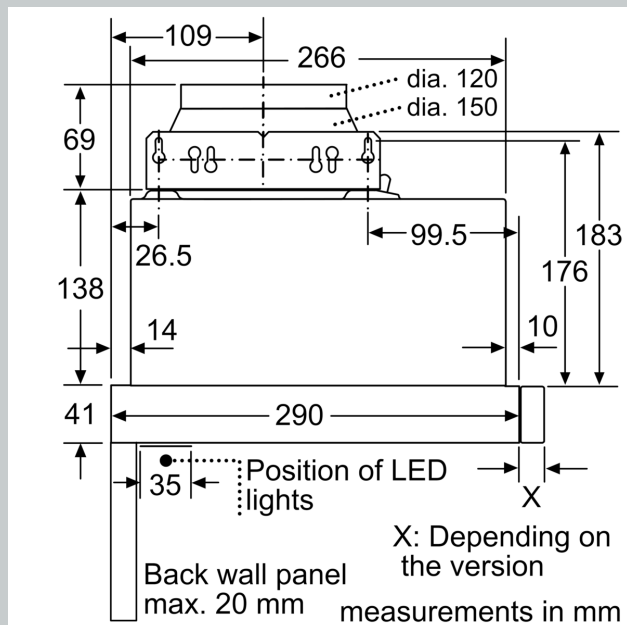
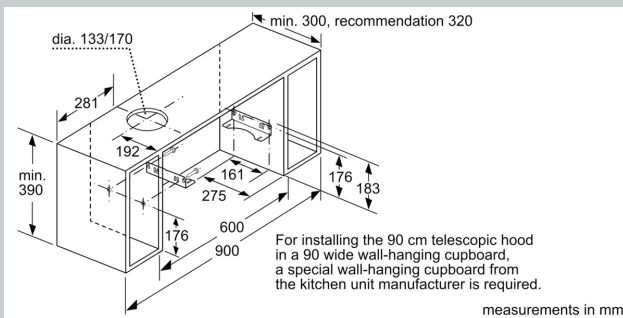
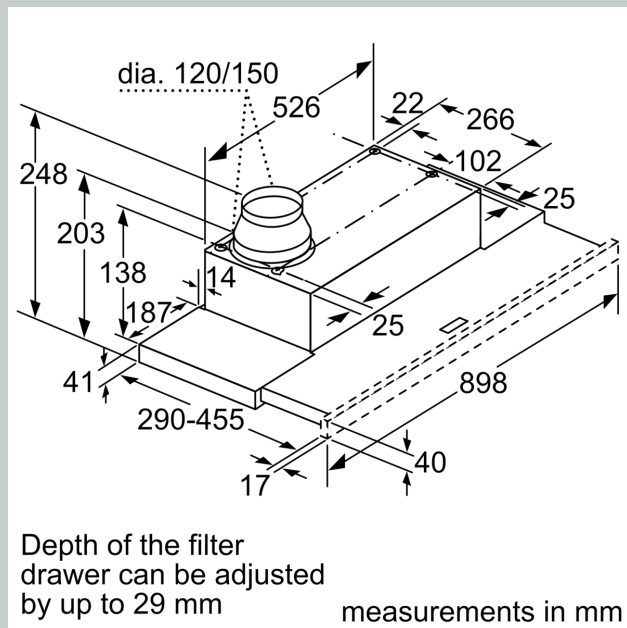
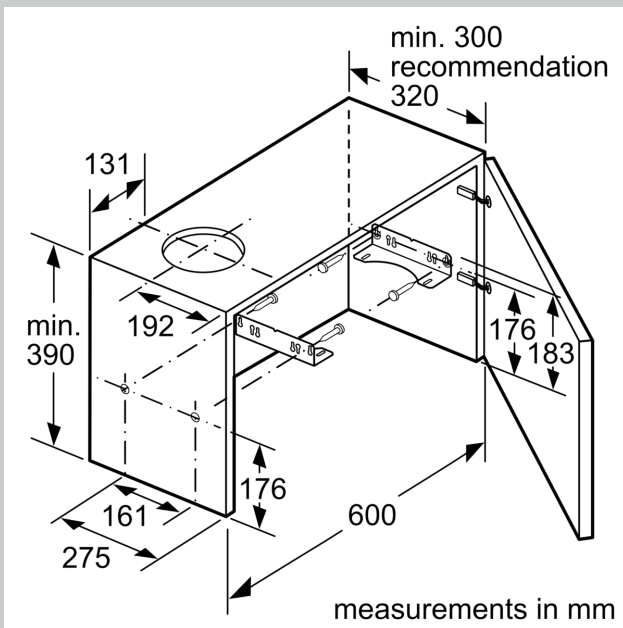
Planning and installation information

- Dimensions (HxWxD): 203 x 898 x 290 mm
- Built-in dimensions (HxWxD): 162 x 526 x 290 mm
- Diameter pipe Ø 150 mm (Ø 120 mm enclosed)
- Electrical cable length 1.75 m

* In accordance with the EU-Regulation No 65/2014

N 50, TELESCOPIC COOKER HOOD, 90 CM, SILVER METALLIC
D49ED22N1B

Dimensioned drawings



Dimensioned drawings

