

N 70, Telescopic cooker hood, 90 cm, Stainless steel
D49ML54NOB



COOKING PASSION SINCE 1877



Telescopic hood: designed to provide powerful extraction without impacting on your kitchen space or design. These hoods pull out from underneath a cabinet when required for a streamlined kitchen.

- ✓ Special Noise Insulation – For a quiet cooking area.
- ✓ Efficient Drive Motor – Quiet and energy-efficient hood motor for a calmer kitchen.
- ✓ Intensive speed setting: increases the extraction rate when the steam gets intense
- ✓ Dimmer Function – easily dim the light according to your mood with the touch of a button
- ✓ Interval Ventilation – automatically ventilates every hour for crisp, clean air

B



Features

Technical Data

Typology : Pull-out
Approval certificates : CE, VDE
Length of electrical supply cord : 175 cm
Required niche size for installation (HxWxD) : 385mm x 524.0mm x 290mm mm
Minimum distance above an electric hob : 430 mm
Minimum distance above a gas hob : 650 mm
Net weight : 14.882 kg
Type of control : Electronic
Number of speed settings : 3-stage + 2 intensive
Maximum output air extraction : 395 m³/h
Boost position output recirculating : 628 m³/h
Maximum output recirculating air : 358 m³/h
Boost position air extraction : 708 m³/h
Number of lights (Stck) : 2
Noise level : 56 dB(A) re 1 pW
Diameter of air outlet : 120 / 150 mm
Grease filter material : Washable stainless steel
EAN code : 4242004204107
Connection rating : 146 W
Fuse protection : 10 A
Voltage : 220-240 V
Frequency : 60; 50 Hz
Plug type : GB plug
Installation type : Built-in

Optional accessories

| | |
|-----------|--|
| Z51ITD1X1 | Long Life recirculation kit external |
| Z51IXB1X6 | Clean Air Plus odor filter (replacement) |
| Z51IXC1X6 | Clean Air Plus recirc. kit external |
| Z54TC02X0 | Standard odor filter (replacement) |
| Z54TH90D0 | Design Handle strip |
| Z54TM90X0 | Installation kit for 90cm wide wall unit |
| Z54TS02X0 | Standard recirculation kit |



4 242004 204107

N 70, Telescopic cooker hood, 90 cm, Stainless steel
D49ML54NOB



COOKING PASSION SINCE 1877

Features

Features

- 7 segment LED display
- 2 x LED lights
- softLight with dimmer function
- 3 metal grease filter cassettes
- Saturation indicator for grease filter
- metal grease filter
- 3 power levels and 2 intensive settings
- Interval operation
- Automatic after running (Automatic after running (10 minutes))
- Automatic intensive revert (6mins)
- Additional noise insulation
- Noise reduction function

Design

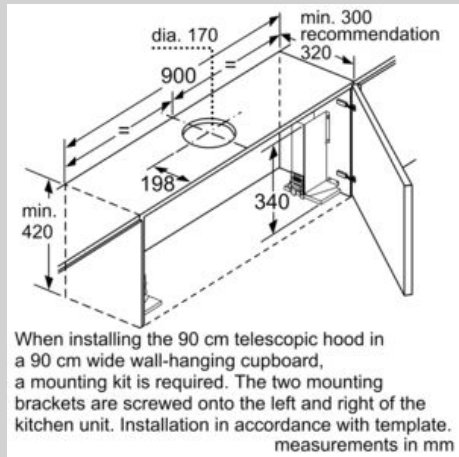
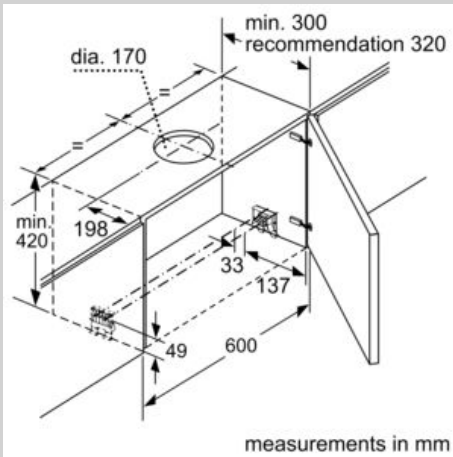
- Telescopic hood
- Stainless steel
- Standard design
- Soft touch control
- Electronic controls
- Neutral white lights

Performance/technical information

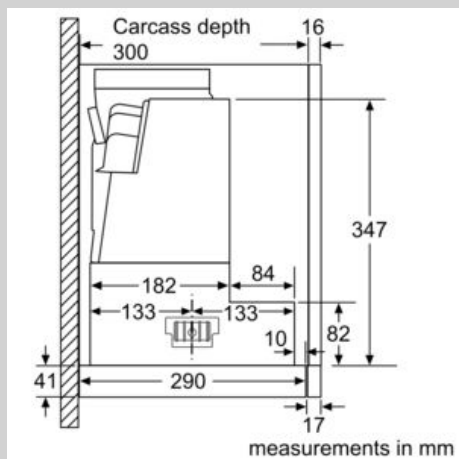
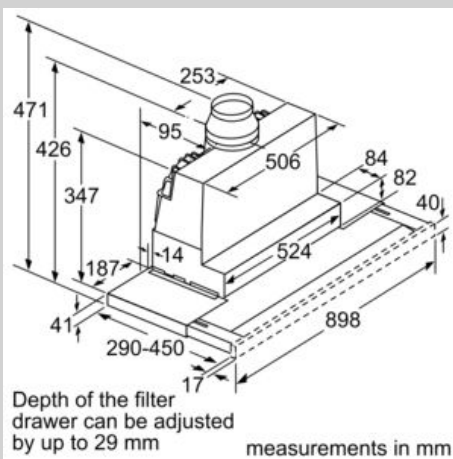
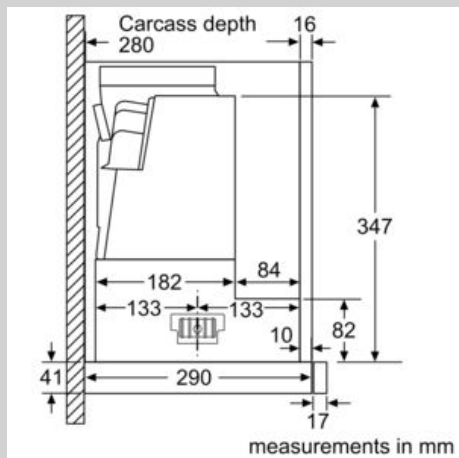
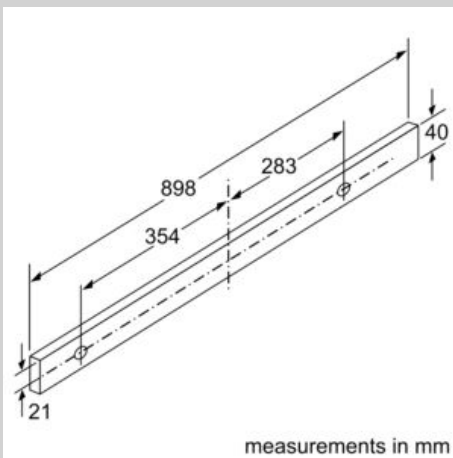
- Installation system: Telescopic comfort installat.
- Suitable for ducted extraction and recirculation
- For recirculated extraction recirculating kit or CleanAir recirculating kit (accessory) needed
- Extraction rate according to EN 61591 \varnothing 15 cm:
max. Normal use 394 m³/h
Intensive 708 m³/h
- Noise level according to EN 60704-3 and EN 60704-2-13 at maximum normal setting: extraction rate: 56 dB (A) re 1pW
- Noise max. Normal Level: Noise, max. speed in normal us: 56 dB dB*
- With the Clean Air Plus recirculation kit (available as optional accessory) your appliances reaches:
Extraction rate in recirculation mode:
Max. normal use: 358 m³/h
Intensive: 628 m³/h
Noise level in recirculation mode:
Max. normal use: 60 dB(A) re 1 pW
Intensive: 71 dB(A) re 1 pW
- Power rating: 146 W
- Light Intensity: 601 lux
- Colour Temperature: 3500 K
- Electrical cable length 1.75 m
- Diameter pipe \varnothing 150 mm (\varnothing 120 mm enclosed)
- Dimensions exhaust air (HxWxD): 426-426 x 898 x 290 mm
- Dimensions recirculating (HxWxD): 426-426 x 898 x 290 mm
- Built-in dimensions (HxWxD): 385 x 524 x 290 mm
- Energy Efficiency Class: B (at a range of energy efficiency classes from A+++ to D)
- Blower Efficiency Class: B*
- Lighting Efficiency Class: A*
- Grease Filtering Efficiency Class: B*
- Average Energy Consumption: 37.9 kWh/year*

N 70, Telescopic cooker hood, 90 cm, Stainless steel
D49ML54NOB

Dimensioned drawings



When installing the 90 cm telescopic hood in a 90 cm wide wall-hanging cupboard, a mounting kit is required. The two mounting brackets are screwed onto the left and right of the kitchen unit. Installation in accordance with template.



N 70, Telescopic cooker hood, 90 cm, Stainless steel
D49ML54NOB

Dimensioned drawings

