

N 30, CANOPY COOKER HOOD, 53 CM, ANTHRACITE  
D51NAA1COB



Optional accessories

Z51INA0X0	Standard odor filter (replacement)
Z51INT0X0	Standard recirculation kit

Canopy hood: designed to fit neatly under an overhead unit or cabinet. They're discreet and effectively use valuable space.

- √ LED Lighting – Clear illumination while you cook.
- √ High extraction rate - for continuously clean air in the kitchen.
- √ Reduced Noise: our optimised motor guarantees a quiet cooking experience.

Features

Technical Data

Typology: .....	Built-in/Built-under
Length of electrical supply cord: .....	150.0 cm
Min. required niche size for installation (HxWxD): .....	208mm x 493.0mm x 257mm mm
Minimum distance above an electric hob: .....	550 mm
Minimum distance above a gas hob: .....	650 mm
Net weight: .....	4.5 kg
Type of control: .....	mechanical
Number of speed settings: .....	3
Maximum output air extraction: .....	302 m <sup>3</sup> /h
Maximum output recirculating air: .....	300 m <sup>3</sup> /h
Maximum Air flow: .....	302 m <sup>3</sup> /h
Number of lights (Stck): .....	2
Noise level: .....	62 dB(A) re 1 pW
Diameter of air outlet: .....	120 mm
Grease filter material: .....	Washable aluminium
EAN code: .....	4242004234432
Connection rating: .....	121 W
Fuse protection: .....	5 A
Voltage: .....	220-240 V
Frequency: .....	50 Hz
Plug type: .....	GB plug
Installation type: .....	Built-in



## N 30, CANOPY COOKER HOOD, 53 CM, ANTHRACITE D51NAA1COB

### Features

#### Key performance features:

- Energy Efficiency Class: D (at a range of energy efficiency classes from A+++ to D)
- Max. extraction rate: 302 m<sup>3</sup>/h
- Noise max. Normal Level: Noise, max. speed in normal us: 62 dB dB\*

#### Features

- Slide control operation
- 3 power levels
- 2 x 3W LED
- Colour Temperature: 2700 K
- 1 metal grease filter cassette
- Installation: integrated

#### Design

- Canopy hood
- Mechanical controls

#### Performance/technical information

- Suitable for ducted extraction and recirculation
- For recirculated extraction recirculating kit (accessory) needed
- Extraction rate according to EN 61591: max. 302 m<sup>3</sup>/h
- Noise level according to EN 60704-3 and EN 60704-2-13 at maximum normal setting: extraction rate: 62 dB(A) re 1 pW (48 dB(A) re 20 µPa sound pressure)
- Noise level according to EN 60704-3 and EN 60704-2-13 at maximum normal setting: extraction rate: 62 dB (A) re 1pW
- Power rating: 121 W
- Light Intensity: 78 lux
- Electrical cable length 1.5 m
- Diameter pipe Ø 120 mm (Ø 120 mm enclosed)
- Dimensions exhaust air (HxWxD): 208-208 x 534 x 300 mm
- Dimensions recirculating (HxWxD): 208-208 x 534 x 300 mm
- Mounting dimensions: width: 49 cm, depth: 26 cm
- Blower Efficiency Class: E\*
- Lighting Efficiency Class: D\*
- Grease Filtering Efficiency Class: D\*
- Average Energy Consumption: 67.7 kWh/year\*

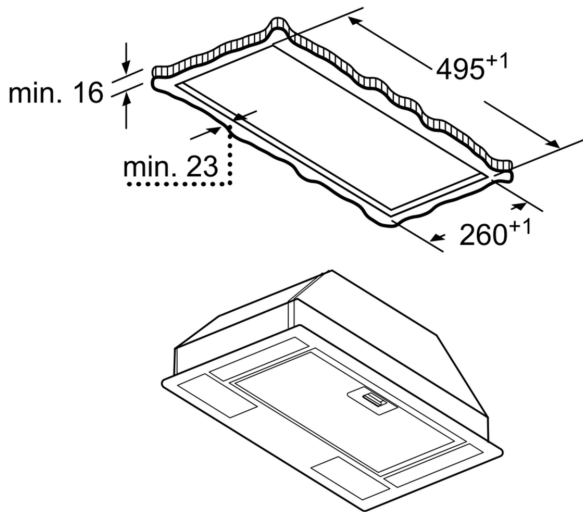
#### Optional accessories

- Recirculating kit Z51INA0X0

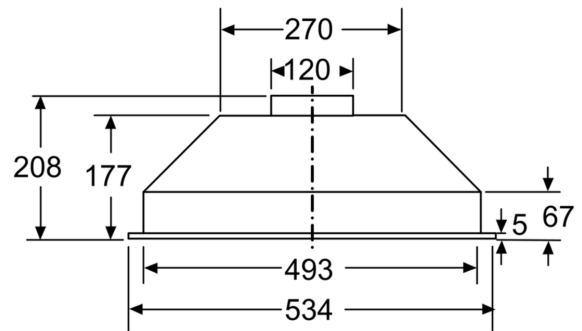
\* In accordance with the EU-Regulation No 65/2014

N 30, CANOPY COOKER HOOD, 53 CM, ANTHRACITE  
D51NAA1COB

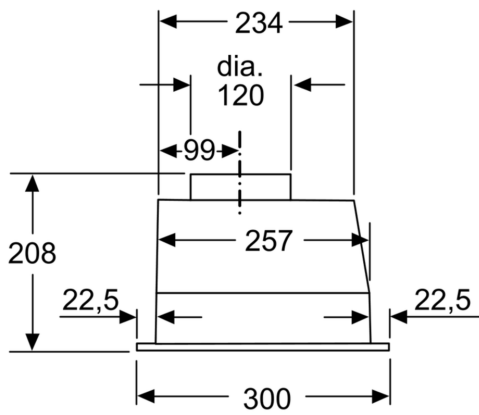
Dimensioned drawings



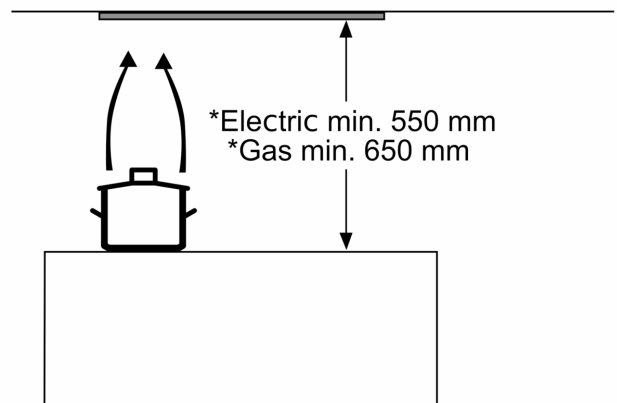
measurements in mm



measurements in mm



measurements in mm



\* from upper edge of pan support

measurements in mm