

N 50, CANOPY COOKER HOOD, 52 CM, STAINLESS
STEEL
D55MH56NOB



Optional accessories

Z51XB1X6	Clean Air Plus odor filter (replacement)
Z51XC1X6	Clean Air Plus recirc. kit external
Z5135X1	Standard odor filter (replacement)
Z5135X3	Standard recirculation kit
Z51TD1X1	Long Life recirculation kit external
Z51TP0X0	Long Life odor filter (replacement)

Canopy hood: designed to fit neatly under an overhead unit or cabinet. They're discreet and effectively use valuable space.

- ✓ Intensive speed setting: increases the extraction rate when the steam gets intense
- ✓ LED Lighting – Clear illumination while you cook.
- ✓ High extraction rate - for continuously clean air in the kitchen.

Features

Technical Data

Typology:	Built-in/Built-under
Length of electrical supply cord:	150.0 cm
Min. required niche size for installation (HxWxD):	418mm x 496.0mm x 264mm mm
Minimum distance above an electric hob:	500 mm
Minimum distance above a gas hob:	650 mm
Net weight:	9.0 kg
Type of control:	Electronic
Number of speed settings:	3-stages + intensive setting
Maximum output air extraction:	575 m ³ /h
Boost position output recirculating:	606 m ³ /h
Maximum output recirculating air:	541 m ³ /h
Boost position air extraction:	650 m ³ /h
Maximum Air flow:	575 m ³ /h
Number of lights (Stck):	2
Noise level:	67 dB(A) re 1 pW
Diameter of air outlet:	120 / 150 mm
Grease filter material:	Washable aluminium
EAN code:	4242004187745
Connection rating:	277 W
Fuse protection:	3 A
Voltage:	220-240 V
Frequency:	50 Hz
Plug type:	GB plug
Installation type:	Built-in



N 50, CANOPY COOKER HOOD, 52 CM, STAINLESS
STEEL
D55MH56NOB

Features

Features

- LED display
- 2 x 1W LED lights
- 1 metal grease filter cassette
- Stainless steel filter cover, metal grease filter
- 3 speeds plus intensive
- Automatic intensive revert (6mins)
- Rim ventilation

Design

- Stainless steel
- Canopy hood
- Standard design
- Soft touch control
- Electronic controls

Performance/technical information

- Suitable for ducted extraction and recirculation
- For recirculated extraction recirculating kit or CleanAir recirculating kit (accessory) needed
- Twin channel high performance fan motor
- In recirculation operation chimless use possible
- Extraction rate according to EN 61591 \varnothing 15 cm:
 - max. Normal use 575m³/h
 - Intensive 650 m³/h
- Power rating: 277 W
- Noise level according to EN 60704-3 and EN 60704-2-13 at maximum normal setting: extraction rate: 67 dB (A) re 1pW
- Noise max. Normal Level: Noise, max. speed in normal us: 67 dB dB*
- With the Clean Air Plus recirculation kit (available as optional accessory) your appliances reaches:
 - Extraction rate in recirculation mode: Max. normal use: 541m³/h
 - Intensive: 606m³/h
 - Noise level in recirculation mode: Max. normal use: 71dB(A) re 1 pW
 - Intensive: 74 dB(A) re 1 pW
- Light Intensity: 244 lux
- Colour Temperature: 4000 K
- Electrical cable length 1.5 m
- Diameter pipe \varnothing 150 mm (\varnothing 120 mm enclosed)
- Dimensions exhaust air (HxWxD): 418-418 x 520 x 300 mm
- Dimensions recirculating (HxWxD): 418-418 x 520 x 300 mm
- Energy Efficiency Class: C (at a range of energy efficiency classes from A+++ to D)
- Blower Efficiency Class: D*
- Lighting Efficiency Class: A*
- Grease Filtering Efficiency Class: D*
- Average Energy Consumption: 107.8 kWh/year*

Optional accessories

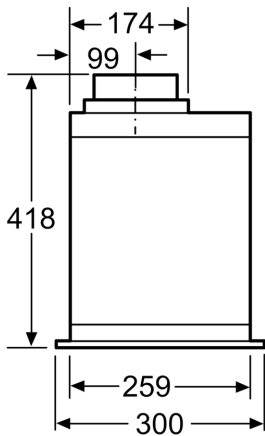
- Recirculating kit Z51XB1X6

- Max. extraction rate: 650 m³/h
- Dimensions (HxWxD): 418 x 520 x 300 mm

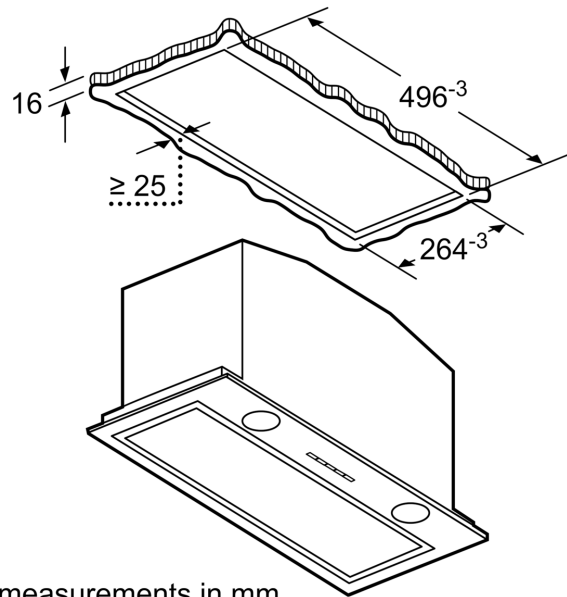
* In accordance with the EU-Regulation No 65/2014

N 50, CANOPY COOKER HOOD, 52 CM, STAINLESS
STEEL
D55MH56NOB

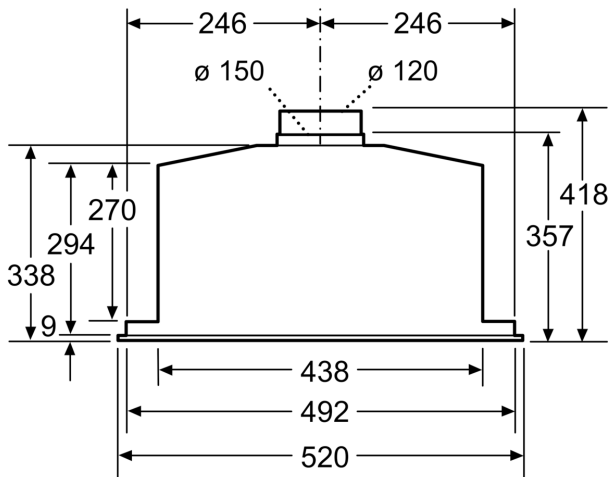
Dimensioned drawings



measurements in mm

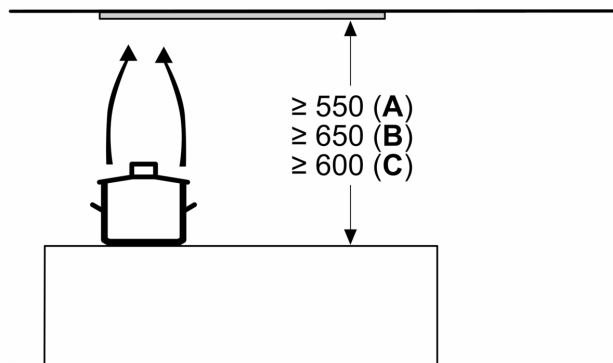


measurements in mm



measurements in mm

Measurements in mm



A: Electric

B: Gas - from upper edge of pan support

C: Electric - for Australia and New Zealand