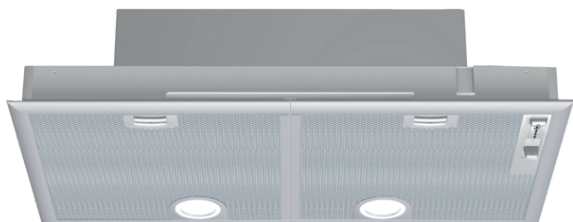


N 30, Canopy cooker hood, 75 cm, Silver metallic
D5855X0GB



COOKING PASSION SINCE 1877



D



Features

Technical Data

Typology : Traditional
Approval certificates : CE, VDE
Length of electrical supply cord (cm) : 130
Required niche size for installation (HxWxD) : 255mm x 700mm x 350mm
Minimum distance above an electric hob : 650
Minimum distance above a gas hob : 650
Net weight (kg) : 9.309
Type of control : mechanical
Maximum output air extraction (m³/h) : 390
Boost position output recirculating (m³/h) : 430
Maximum output recirculating air (m³/h) : 320
Boost position air extraction (m³/h) : 640
Number of lights (Stck) : 2
Noise level (dB(A) re 1 pW) : 59
Diameter of air outlet (mm) : 150 / 120
Grease filter material : Washable aluminium
EAN code : 4242004073246
Connection rating (W) : 240
Voltage (V) : 220-230
Frequency (Hz) : 50
Plug type : GB plug
Installation type : Built-in



4 242004 073246

Optional accessories

Z5155X0 Accessories extractor hoods
Z5552X0 Accessories extractor hoods

N 30, Canopy cooker hood, 75 cm, Silver metallic
D5855X0GB

Features

Features

- 2 x 20W low energy halogen lamps
- 2 metal grease filter cassettes

Design

- 75 cm wide
- For installation under an overhead canopy kitchen unit
- Slide control operation for extractor speeds and light

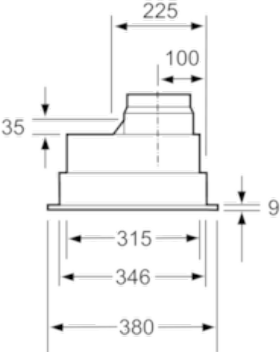
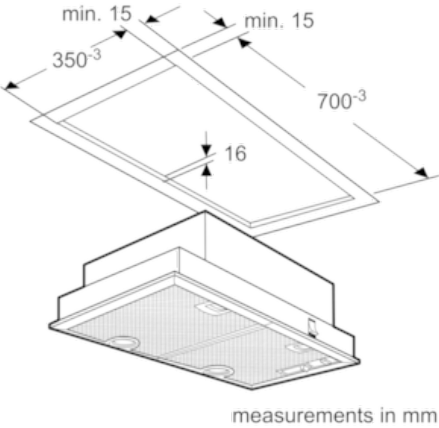
Performance/technical information

- Suitable for ducted extraction and recirculation
- Extraction rate according to EN 61591 ø 15 cm:
max. Normal use 390 m³/h
Intensive 640 m³/h
- Noise level according to EN 60704-3 and EN 60704-2-13 exhaust air:
Max. normal use: 59 dB(A) re 1 pW (45 dB(A) re 20 µPa sound pressure)
Intensive: 69 dB(A) re 1 pW (55 dB(A) re 20 µPa sound pressure)
- 3 speeds plus intensive

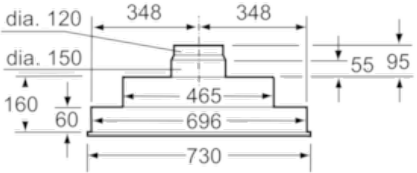
Optional accessories

N 30, Canopy cooker hood, 75 cm, Silver metallic
 D5855X0GB

Dimensioned drawings



measurements in mm



measurements in mm