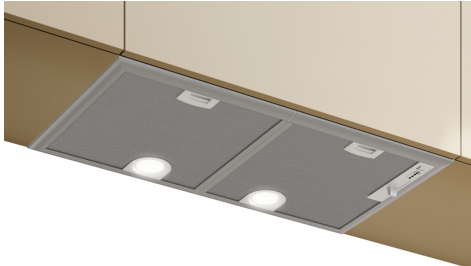


N 30, CANOPY COOKER HOOD, 75 CM, SILVER
METALLIC
D5855X2GB



Optional accessories

Z5155X0 Standard odor filter

- ✓ LED Lighting – Clear illumination while you cook.
- ✓ Intensive speed setting: increases the extraction rate when the steam gets intense
- ✓ High extraction rate - for continuously clean air in the kitchen.
- ✓ Reduced Noise: our optimised motor guarantees a quiet cooking experience.

Features

Technical Data

Typology: Built-in/Built-under
 Length electrical supply cord: 130 cm
 Required niche size for installation (HxWxD): 215mm x 700.0mm x 350mm mm
 Height of the appliance: 215 mm
 Minimum distance above an electric hob: 650 mm
 Minimum distance above a gas hob: 650 mm
 Net weight: 9.3 kg
 Type of control: Mechanical
 Number of speed settings: 3-stages + intensive setting
 Maximum output air extraction: 468 m³/h
 Boost position output recirculating: 324.0 m³/h
 Maximum output recirculating air: 281 m³/h
 Boost position air extraction: 614 m³/h
 Maximum Air flow: 468 m³/h
 Number of lights: 2
 Noise level: 63 dB(A) re 1pW
 Diameter of air outlet: 150 mm
 Grease filter material: Washable aluminium
 EAN code: 4242004289845
 Connection Rating: 206 W
 Voltage: 220-230 V
 Frequency: 50 Hz
 Plug type: GB plug
 Installation typology: Built-in



N 30, CANOPY COOKER HOOD, 75 CM, SILVER
METALLIC
D5855X2GB

Features

Design:

- Canopy hood
- For installation under an overhead canopy kitchen unit
- Suitable for ducted extraction and recirculation

Core Features:

- Capacitor motor
- 2 x LED spot 2.15W (low volt)
- Colour Temperature: 3500 K
- Light Intensity: 410 lux
- 2 metal grease filter(s).

Comfort Features:

- Slide control operation
- 3 speeds plus intensive

Cleaning Comfort:

- metal grease filter dishwasher-safe

Performance Exhaust:

- According to EN 61591 and EN/ IEC 60704-2-13 your appliance can achieve the following values in exhaust mode: Speed 1: extraction rate 229 m³/h; noise level 46 dB (A) re1pW Speed 2: extraction rate 371 m³/h; noise level 57 dB (A) re1pW Speed 3: extraction rate 468 m³/h; noise level 63 dB (A) re1pW Intensive 1: extraction rate 614 m³/h; noise level 68 dB (A) re1pW
- Energy Efficiency Class: D (at a range of energy efficiency classes from A+++ to D)
- Average Energy Consumption: 88.1 kWh/year*
- Blower Efficiency Class: D*
- Lighting Efficiency Class: A*
- Grease Filtering Efficiency Class: B*

Performance Recirculation:

- For recirculated extraction charcoal filter (accessory) needed
- According to EN 61591 and EN/ IEC 60704-2-13 your appliance can achieve the following values in recirculation mode with standard recirculation kit (available as optional accessory): Speed 1: extraction rate 140 m³/h; noise level 56 dB (A) re1pW Speed 2: extraction rate 231 m³/h; noise level 67 dB (A) re1pW Speed 3: extraction rate 281 m³/h ; noise level 70 dB (A) re1pW Intensive Speed 1: extraction rate 324 m³/h; noise level 73 dB (A) re1pW

Technical Information and Sustainability:

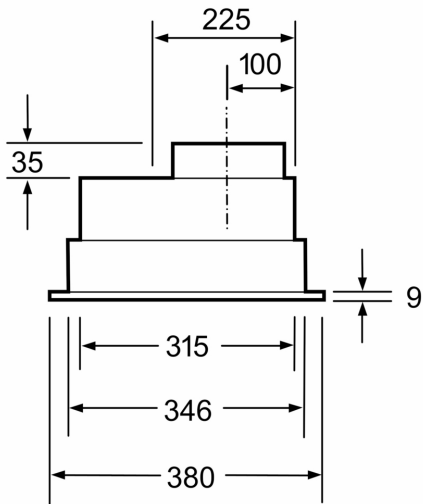
- Consumption data:
- Power rating: 206 W
- Voltage: Nominal voltage: 220 - 230 V
- Sustainability:
- Made in Germany: produced at a CO₂ neutral production site

Planning and Installation Information:

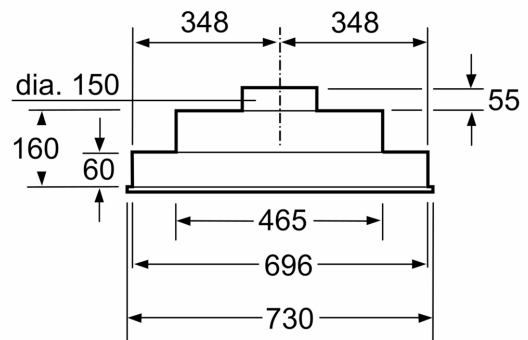
- Dimensions (HxWxD): 215 x 730 x 380 mm
- Built-in dimensions (HxWxD): 215 x 700 x 350 mm
- Electrical cable length 1.3 m
- Diameter pipe Ø 150 mm

N 30, CANOPY COOKER HOOD, 75 CM, SILVER
METALLIC
D5855X2GB

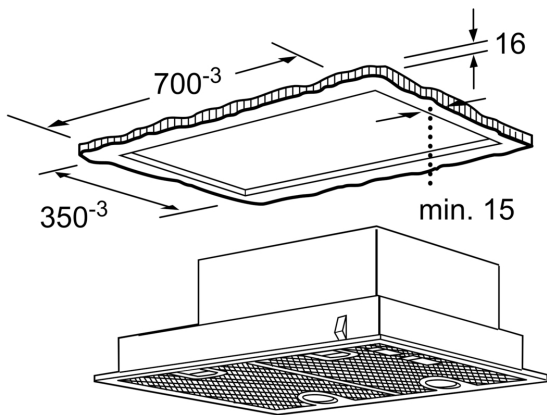
Dimensioned drawings



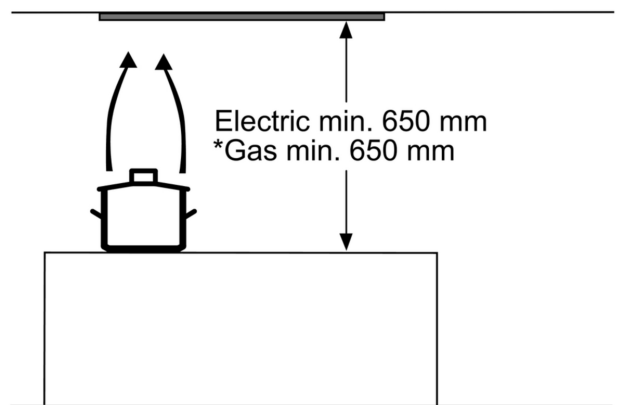
measurements in mm



measurements in mm



measurements in mm



* from upper edge of pan support

measurements in mm