

N 30, WALL-MOUNTED COOKER HOOD, 60 CM,
STAINLESS STEEL
D62BBC0N0B



The coordinating and stylish Neff box hood is modern in design and keeps up with your cooking.

- ✓ LED Lighting – Clear illumination while you cook.
- ✓ Reduced Noise: our optimised motor guarantees a quiet cooking experience.

Features

Technical Data

Typology:	Wall-mounted
Length electrical supply cord:	130.0 cm
Height of the chimney:	583-912/583-1022 mm
Height of the appliance:	53 mm
Minimum distance above an electric hob:	550 mm
Minimum distance above a gas hob:	650 mm
Net weight:	11.6 kg
Type of control:	mechanical
Number of speed settings:	3
Maximum output air extraction:	365 m ³ /h
Maximum output recirculating air:	240 m ³ /h
Maximum Air flow:	365 m ³ /h
Number of lights:	2
Noise level:	63 dB(A) re 1 pW
Diameter of air outlet:	120 / 150 mm
Grease filter material:	Washable aluminium
EAN code:	4242004223993
Connection Rating:	100 W
Fuse protection:	10 A
Voltage:	220-240 V
Frequency:	50; 60 Hz
Plug type:	GB plug
Installation typology:	Wall-mounted



Optional accessories

Z51FXJ0X0 Long Life recirculation kit, Z53XXB1X6 Clean Air Plus odor filter (replacement), Z5860N0 Back panel stainless steel, Z5865N0 Stainless steel back panel 600 mm, Z5905N0 Chimney extension 1000 mm, Z5915N0 Chimney extension 1500 mm, Z50XXP0X0 Long Life odor filter (replacement), Z51DXA0X0 Standard odor filter (replacement), Z51DXB1X4 Clean Air Standard odor filter (repl.), Z51DXI1X4 Clean Air Standard recirculation kit, Z51DXI1X6 Clean Air Plus recirculation kit, Z51DXU0X0 Standard recirculation kit, Z51FXC1N6 Clean Air Plus recirc. kit external, Z51FXD1N1 Long Life recirculation kit external

N 30, WALL-MOUNTED COOKER HOOD, 60 CM,
STAINLESS STEEL
D62BBCONOB

Features

Key performance features:

- Energy Efficiency Class: D (at a range of energy efficiency classes from A+++ to D)
- Max. extraction rate: 365 m³/h
- Noise max. Normal Level: Noise, max. speed in normal us: 63 dB dB*

Features

- Push button control operation
- 3 power levels
- Twin channel high performance fan motor
- 2 x 1.5w LED Light
- Colour Temperature: 3500 K
- 2 metal grease filter cassettes
- Installation: wall

Design

- Chimney hood
- Mechanical controls

Performance/technical information

- Suitable for ducted extraction and recirculation
- For recirculated extraction recirculating kit or CleanAir recirculating kit (accessory) needed
- Maximum extraction rate exhaust air 365 m³/h according to EN 61591
- Noise level according to EN 60704-3 and EN 60704-2-13 at max. normal use exhaust air: 63 dB(A) re 1 pW
- With the Clean Air Plus recirculation kit (available as optional accessory) your appliances reaches:
- Extraction rate in recirculation mode: Max. normal use: 240 m³/h
- Noise level in recirculation mode: Max. normal use: 65 dB(A) re 1 pW
- Power rating: 100 W
- Light Intensity: 99 lux
- Electrical cable length 1.3 m
- Diameter pipe Ø 150 mm (Ø 120 mm enclosed)
- Dimensions exhaust air (HxWxD): 635-965 x 600 x 500 mm
- Dimensions recirculating (HxWxD): 635-1075 x 600 x 500 mm
- Dimensions recirculating with CleanAir module (HxWxD):
- 703 x 600 x 500mm - mounting with outer chimney
- 833-1163 x 600 x 500 mm - mounting with telescopic chimney
- Blower Efficiency Class: E*
- Lighting Efficiency Class: A*
- Grease Filtering Efficiency Class: C*
- Average Energy Consumption: 53.1 kWh/year*

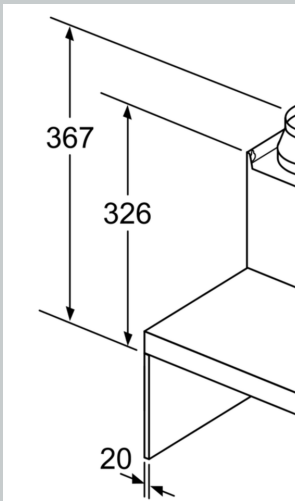
Optional accessories

- Recirculating kit Z51FXJ0X0

* In accordance with the EU-Regulation No 65/2014

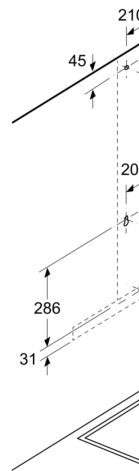
N 30, WALL-MOUNTED COOKER HOOD, 60 CM,
STAINLESS STEEL
D62BBC0NOB

Dimensioned drawings



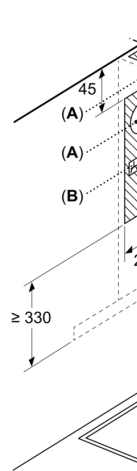
If a back panel is used the design of the appliance must be considered.

Measurements in mm

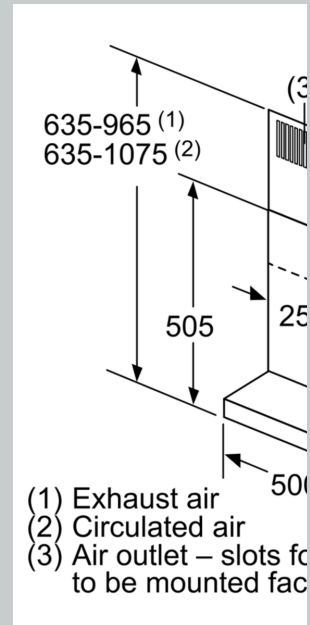


- A: Electric
- B: Gas - from upper cabinet
- C: Electric - for Australia

Measurements in mm



- A: Exhaust air outlet
- B: Socket
- C: Electric
- D: Gas - from upper cabinet
- E: Electric - for Australia



- (1) Exhaust air
- (2) Circulated air
- (3) Air outlet – slots for back panel to be mounted facing