

N 30, WALL-MOUNTED COOKER HOOD, 60 CM,
BLACK
D62BBC0S0B



The coordinating and stylish Neff box hood is modern in design and keeps up with your cooking.

- ✓ LED Lighting – Clear illumination while you cook.
- ✓ Reduced Noise: our optimised motor guarantees a quiet cooking experience.

Z50XP0X0	Long Life odor filter (replacement)
Z51DXA0X0	Standard odor filter (replacement)
Z51DXB1X4	Clean Air Standard odor filter (repl.)
Z51DXI1X4	Clean Air Standard recirculation kit
Z51DXI1X6	Clean Air Plus recirculation kit
Z51DXU0X0	Standard recirculation kit
Z51FXD1N1	Long Life recirculation kit external
Z53XXB1X6	Clean Air Plus odor filter (replacement)

Typology:	Wall-mounted
Length electrical supply cord:	130.0 cm
Height of the chimney:	583-912/583-1022 mm
Height of the appliance:	53 mm
Minimum distance above an electric hob:	550 mm
Minimum distance above a gas hob:	650 mm
Net weight:	11.5 kg
Type of control:	mechanical
Number of speed settings:	3
Maximum output air extraction:	365 m ³ /h
Maximum output recirculating air:	240 m ³ /h
Maximum Air flow:	365 m ³ /h
Number of lights:	2
Noise level:	63 dB(A) re 1pW
Diameter of air outlet:	120 / 150 mm
Grease filter material:	Washable aluminium
EAN code:	4242004280521
Connection Rating:	100 W
Fuse protection:	10 A
Voltage:	220-240 V
Frequency:	50; 60 Hz
Plug type:	GB plug
Installation typology:	Wall-mounted



N 30, WALL-MOUNTED COOKER HOOD, 60 CM,
BLACK
D62BBC0S0B

- D62BBC0S0B

Design

- Chimney hood
- Box design
- 60 cm wide
- Installation: wall
- Black
- Suitable for ducted extraction and recirculation
- For recirculated extraction recirculating kit or CleanAir recirculating kit (accessory) needed
- Dimensions exhaust air (HxWxD): 635-965 x 600 x 500 mm
- Dimensions recirculating (HxWxD): 635-1075 x 600 x 500 mm

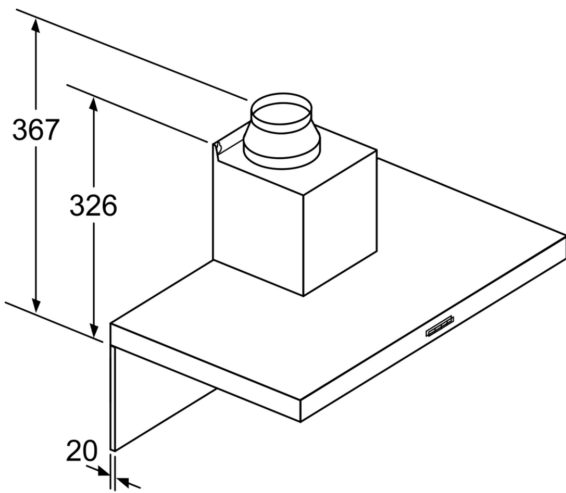
Performance/technical information

- 3 power levels via Push button control operation
- Maximum extraction rate exhaust air 365 m³/h according to EN 61591
- Noise level according to EN 60704-3 and EN 60704-2-13 at max. normal use exhaust air: 63 dB(A) re 1 pW
- With the Clean Air Plus recirculation kit (available as optional accessory) your appliances reaches:
 - Extraction rate in recirculation mode: Max. normal use: 240 m³/h
 - Noise level in recirculation mode: Max. normal use: 65 dB(A) re 1 pW
- Blower Efficiency Class: E*
- Lighting Efficiency Class: A*
- Grease Filtering Efficiency Class: C*
- Energy Efficiency Class: D (at a range of energy efficiency classes from A+++ to D)
- Average Energy Consumption: 53.1 kWh/year*
- Electrical cable length 1.3 m
- 2 x 1,5W LED
- Colour Temperature: 3500 K
- Power rating: 100 W
- Diameter pipe Ø 150 mm (Ø 120 mm enclosed)

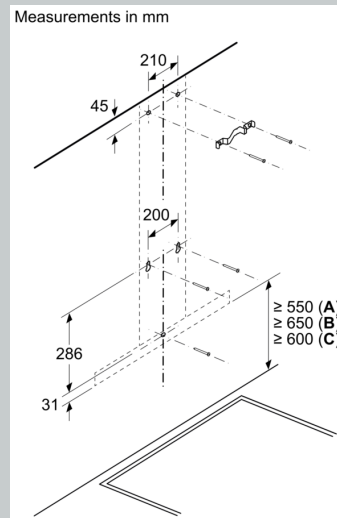
Special features

- Twin channel high performance fan motor
- 2 metal grease filter cassettes

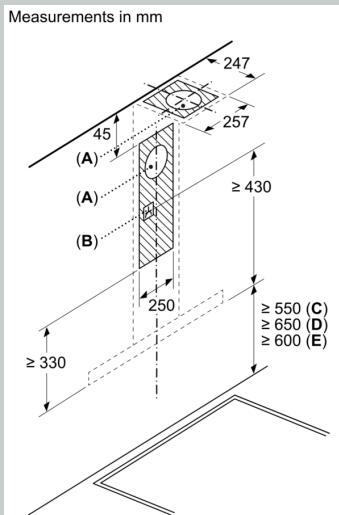
N 30, WALL-MOUNTED COOKER HOOD, 60 CM,
BLACK
D62BBC0S0B



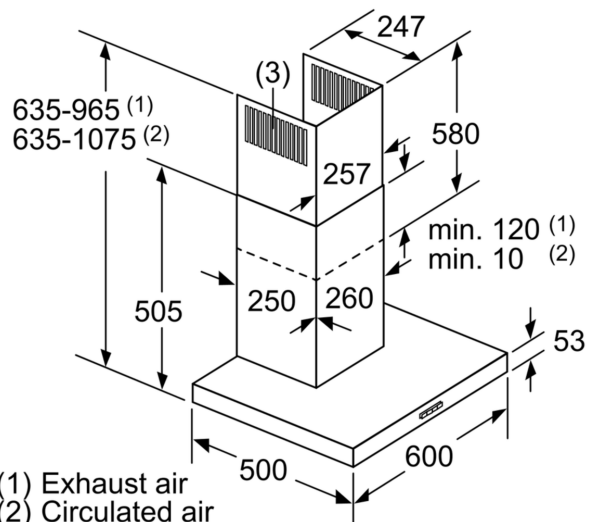
If a back panel is used,
the design of the appliance
must be considered. measurements in mm



- A: Electric
- B: Gas - from upper edge of pan support
- C: Electric - for Australia and New Zealand



- A: Exhaust air outlet
- B: Socket
- C: Electric
- D: Gas - from upper edge of pan support
- E: Electric - for Australia and New Zealand



- (1) Exhaust air
 - (2) Circulated air
 - (3) Air outlet – slots for exhaust air to be mounted facing down
- measurements in mm