

N 30, WALL-MOUNTED COOKER HOOD, 60 CM,
CLEAR GLASS BLACK PRINTED
D631DK1S0B



A

The Inclined Hood with low-noise motor and Touch Control for an odor- and noise-free kitchen.

- ✓ Reduced Noise: our optimised motor guarantees a quiet cooking experience.
- ✓ Intensive speed setting: increases the extraction rate when the steam gets intense
- ✓ Touch Control: an integrated flat surface control panel for smooth operation with a fingerswipe.
- ✓ LED Lighting – Clear illumination while you cook.

Z51GIA1X3 Standard odor filter (replacement)
Z51GIU1X3 Standard recirculation kit

Typology: Wall-mounted
 Length electrical supply cord: 150.0 cm
 Height of the appliance: 325 mm
 Minimum distance above an electric hob: 450 mm
 Minimum distance above a gas hob: 650 mm
 Net weight: 11.1 kg
 Type of control: Electronic
 Number of speed settings: 3-stages + intensive setting
 Maximum output air extraction: 430 m³/h
 Boost position output recirculating: 550.0 m³/h
 Maximum output recirculating air: 445 m³/h
 Boost position air extraction: 550 m³/h
 Maximum Air flow: 430 m³/h
 Number of lights: 2
 Noise level: 60 dB(A) re 1pW
 Diameter of air outlet: 150 mm
 Grease filter material: Washable aluminium
 EAN code: 4242004273318
 Connection Rating: 223 W
 Fuse protection: 4 A
 Voltage: 220-240 V
 Frequency: 50 Hz
 Plug type: GB plug
 Installation typology: Wall-mounted



N 30, WALL-MOUNTED COOKER HOOD, 60 CM,
CLEAR GLASS BLACK PRINTED
D63IDK1SOB

Design:

- Inclined glass common design
- wall-mounted
- Black glass
- Suitable for ducted extraction and recirculation
- For recirculated extraction recirculating kit (accessory) needed

Core Features:

- Capacitor motor
- 2 x LED lights
- Colour Temperature: 4000 K
- Light Intensity: 127 lux
- 1 metal grease filter(s).

Comfort Features:

- Electronic control via Touch control, backlighted
- 3 speeds plus intensive
- Automatic reset from intensive to normal setting after 5 min
- Saturation indicator for metal and charcoal filter

Cleaning Comfort:

- Large opening angle of the glass plate with locking function for an easy filter accessibility and easy cleaning.
- Easy to clean smooth surfaces and materials.
- metal grease filter dishwasher-safe

Performance Exhaust:

- According to EN 61591 and EN/ IEC 60704-2-13 your appliance can achieve the following values in exhaust mode: Speed 1: extraction rate 220 m³/h; noise level 46 dB (A) re1pW Speed 2: extraction rate 315 m³/h; noise level 53 dB (A) re1pW Speed 3: extraction rate 430 m³/h; noise level 60 dB (A) re1pW Intensive 1: extraction rate 550 m³/h; noise level 65 dB (A) re1pW

Performance Recirculation:

- According to EN 61591 and EN/ IEC 60704-2-13 your appliance can achieve the following values in recirculation mode with standard recirculation kit (available as optional accessory): Speed 1: extraction rate 215 m³/h; noise level 51 dB (A) re1pW Speed 2: extraction rate 300 m³/h; noise level 61 dB (A) re1pW Speed 3: extraction rate 445 m³/h ; noise level 69 dB (A) re1pW Intensive Speed 1: extraction rate 550 m³/h; noise level 72 dB (A) re1pW

Technical Information and Sustainability:

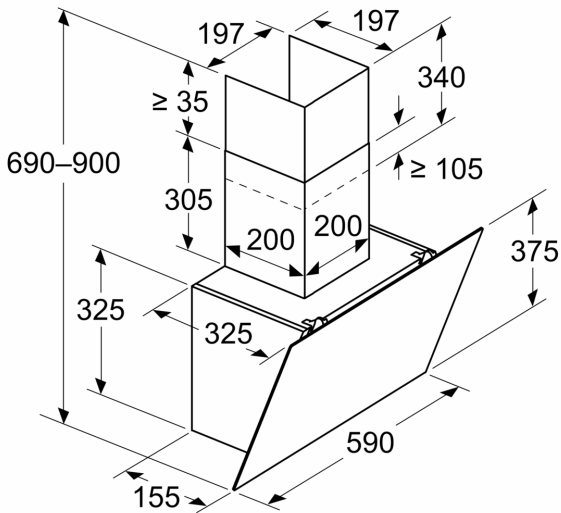
- Consumption data:
- Energy Efficiency Class: A (at a range of energy efficiency classes from A+++ to D)
- Average Energy Consumption: 43.8 kWh/year*
- Blower Efficiency Class: A*
- Lighting Efficiency Class: A*
- Grease Filtering Efficiency Class: E*
- Power rating: 223 W
- Voltage: Nominal voltage: 220 - 240 V

Planning and Installation Information:

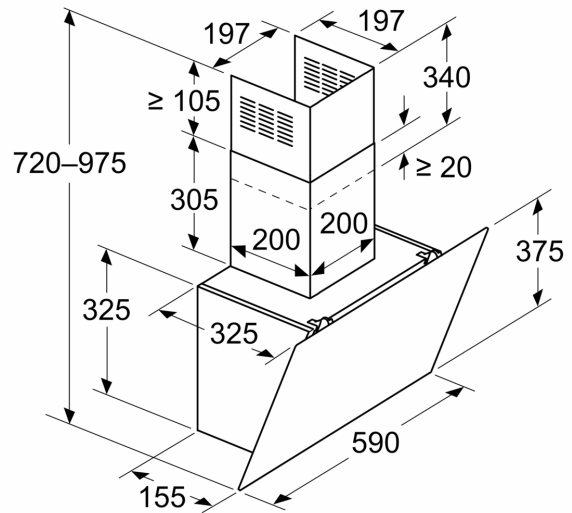
- Dimensions exhaust air (HxWxD): 690-900 x 590 x 325 mm
- Dimensions recirculating (HxWxD): 720-975 x 590 x 325 mm
- Diameter pipe Ø 150 mm (Ø 150 mm enclosed)
- Electrical cable length 1.5 m
- Back-pressure flap: Yes

N 30, WALL-MOUNTED COOKER HOOD, 60 CM,
CLEAR GLASS BLACK PRINTED
D631DK1SOB

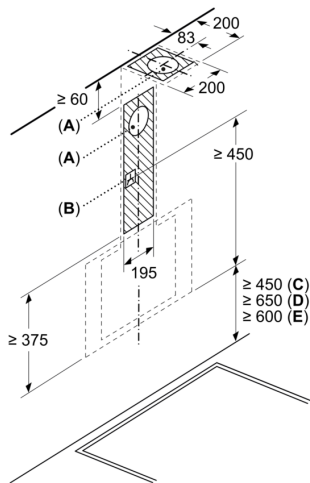
**Measurements in mm
Appliance in exhaust air mode**



**Measurements in mm
Appliance in circulated air mode**

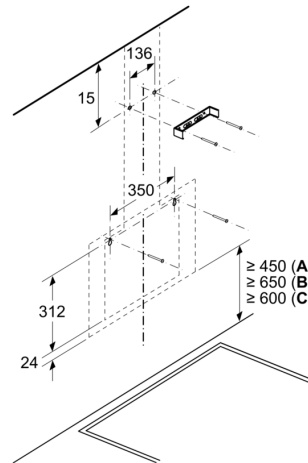


Measurements in mm



- A: Exhaust-air outlet
- B: Socket
- C: Electric
- D: Gas - from upper edge of pan support
- E: Electric - for Australia and New Zealand

**Measurements in mm
Wall installation with chimney**



- A: Electric
- B: Gas - from upper edge of pan support
- C: Electric - for Australia and New Zealand

