

N 50, WALL-MOUNTED COOKER HOOD, 60 CM,
MATT BLACK
D65BCC2S0B



- ✓ Energy-efficient Capacitor Motor : a convenient cooking experience with powerful suction.
- ✓ Push Button Control: Effortless hood operation with physical push buttons.
- ✓ LED Lighting – Clear illumination while you cook.
- ✓ Enjoy fresh air continuously, thanks to our advanced dual-filter system.

Features

Technical Data

Typology:	Wall-mounted
Length electrical supply cord:	130 cm
Height of the appliance:	60 mm
Minimum distance above an electric hob:	550 mm
Minimum distance above a gas hob:	650 mm
Net weight:	12.0 kg
Type of control:	Mechanical
Number of speed settings:	3
Maximum output air extraction:	594 m ³ /h
Maximum output recirculating air:	569 m ³ /h
Maximum Air flow:	594 m ³ /h
Number of lights:	2
Noise level:	67 dB(A) re 1pW
Diameter of air outlet:	150 mm
Grease filter material:	Washable stainless steel
EAN code:	4242004287872
Connection Rating:	200 W
Voltage:	220-240 V
Frequency:	50 Hz
Plug type:	GB plug
Installation typology:	Wall-mounted



Optional accessories

Z51FBI1D6 Long-life Clean Air kit ανακύκλωσης

N 50, WALL-MOUNTED COOKER HOOD, 60 CM,
MATT BLACK
D65BCC2SOB

Features

Design:

- Standard design
- wall-mounted
- Suitable for ducted extraction and recirculation

Core Features:

- Capacitor energy efficient
- 2 x LED 1.5W
- Colour Temperature: 3500 K
- Light Intensity: 293 lux
- 2 metal grease filter(s).

Comfort Features:

- Push button control operation for extractor speeds and light
- 3 power levels

Cleaning Comfort:

- Easy to clean smooth surfaces and materials.
- metal grease filter dishwasher-safe
- Coated surfaces for less fingerprint sensitivity

Exhaust Mode:

- According to EN 61591 and EN/ IEC 60704-2-13 your appliance can achieve the following values in exhaust mode:
- Speed 1: extraction rate 361 m³/h; noise level 57 dB(A) re1pW
- Speed 2: extraction rate 469 m³/h; noise level 63 dB(A) re1pW
- Speed 3: extraction rate 594 m³/h; noise level 67 dB (A) re1pW
- Energy Efficiency Class: B (at a range of energy efficiency classes from A+++ to D)
- Average Energy Consumption: 72 kWh/year*
- Blower Efficiency Class: B*
- Lighting Efficiency Class: A*
- Grease Filtering Efficiency Class: B*

Recirculation Mode:

- For recirculation operation Long-life Clean Air recirculation kit (accessory) needed
- The Long-life Clean Air odour filter absorbs intense odours, such as fish, as well as pollen. The lifetime can be extended up to 4 times by refreshing the filter in the oven
- According to EN 61591 and EN/ IEC 60704-2-13 your appliance can achieve the following values in recirculation mode with Long-life Clean Air recirculation kit (available as optional accessory):
- Speed 1: extraction rate 360 m³/h; noise level 60 dB(A) re1pW
- Speed 2: extraction rate 477 m³/h; noise level 67 dB(A) re1pW
- Speed 3: extraction rate 569 m³/h; noise level 71 dB (A) re1pW

Technical Information and Sustainability:

- Consumption data:
- Power rating: 200 W
- Voltage: Nominal voltage: 220 - 240 V
- Sustainability:
- Made in Germany: produced at a CO₂ neutral production site

- Environmentally friendly packaging
- Available Long-life Clean Air odour filter with extended lifetime up to 4 times

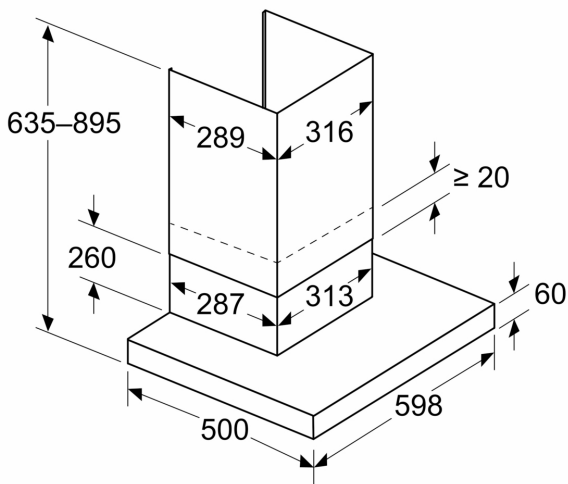
Planning and Installation Information:

- Reduced assembly effort thanks to the easy installation method
- Dimensions exhaust air (HxWxD): 635-895 x 598 x 500 mm
- Dimensions recirculating (HxWxD): 803-943 x 598 x 500 mm
- Diameter pipe Ø 150 mm
- Electrical cable length 1.3 m

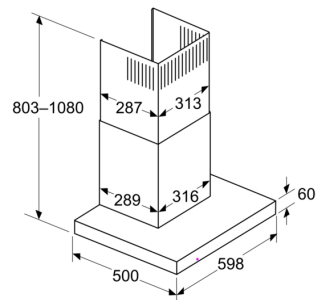
N 50, WALL-MOUNTED COOKER HOOD, 60 CM,
MATT BLACK
D65BCC2S0B

Dimensioned drawings

Measurements in mm
Appliance in exhaust air mode

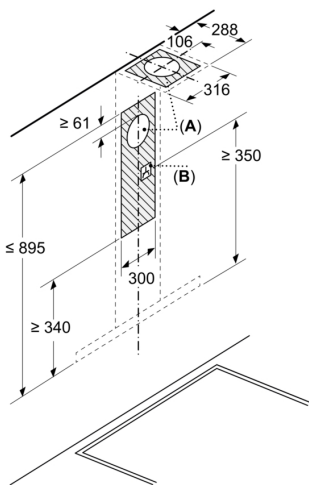


Measurements in mm
Recirculation perspective



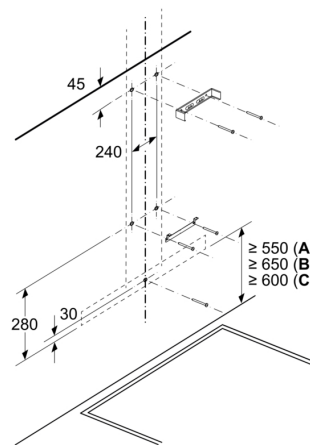
Recirculation mode with recirculation kit (the recirculation kit is only available as a separate accessory)

Measurements in mm



A: Exhaust air
B: Electrical connection

Measurements in mm
Wall installation with chimney



A: Electric
B: Gas - from upper edge of pan support
C: Electric - for Australia and New Zealand

Dimensioned drawings

Measurements in mm
Wall panel depth

