

N 70, WALL-MOUNTED COOKER HOOD, 60 CM,
STAINLESS STEEL
D65BMP5N0B



The coordinating and stylish Neff box hood is modern in design and keeps up with your cooking.

- ✓ Efficient Drive Motor – Quiet and energy-efficient hood motor for a calmer kitchen.
- ✓ Touch Control: an integrated flat surface control panel for smooth operation with a fingerswipe.
- ✓ Intensive speed setting: increases the extraction rate when the steam gets intense
- ✓ Dimmer Function – easily dim the light according to your mood with the touch of a button
- ✓ Interval Ventilation – automatically ventilates every hour for crisp, clean air

Z50XP0X0	Long Life odor filter (replacement)
Z51CB1X4	Clean Air Standard recirculation kit
Z51CX1X6	Clean Air Plus recirculation kit
Z51FXC1N6	Clean Air Plus recirc. kit external
Z51FXD1N1	Long Life recirculation kit external
Z51FXJ0X5	Long Life recirculation kit
Z53CXB1X4	Clean Air Standard odor filter (repl.)
Z53XXB1X6	Clean Air Plus odor filter (replacement)
Z5860N0	Back panel stainless steel
Z5865N0	Stainless steel back panel 600 mm
Z5905N0	Chimney extension 1000 mm
Z5915N0	Chimney extension 1500 mm

Typology:	Wall-mounted
Length electrical supply cord:	130.0 cm
Height of the chimney:	582-908/568-1018 mm
Height of the appliance:	46 mm
Minimum distance above an electric hob:	550 mm
Minimum distance above a gas hob:	650 mm
Net weight:	14.7 kg
Type of control:	Electronic
Number of speed settings:	3-stage + 2 intensive
Maximum output air extraction:	414 m ³ /h
Boost position output recirculating:	409 m ³ /h
Maximum output recirculating air:	330 m ³ /h
Boost position air extraction:	657 m ³ /h
Maximum Air flow:	414 m ³ /h
Number of lights:	2
Noise level:	61 dB(A) re 1pW
Diameter of air outlet:	120 / 150 mm
Grease filter material:	Washable stainless steel
EAN code:	4242004234890
Connection Rating:	143 W
Fuse protection:	10 A
Voltage:	220-240 V
Frequency:	50; 60 Hz
Plug type:	GB plug
Installation typology:	Wall-mounted



N 70, WALL-MOUNTED COOKER HOOD, 60 CM,
STAINLESS STEEL
D65BMP5NOB

Key performance features:

- Energy Efficiency Class: A (at a range of energy efficiency classes from A+++ to D)
- Extraction rate according to EN 61591 \varnothing 15 cm:
- max. Normal use 414 m³/h
- Intensive 657 m³/h
- Noise max. Normal Level: Noise, max. speed in normal us: 61 dB dB*

Features

- Touch control
- 3 power levels and 2 intensive settings
- 2 x 1.5w LED Light
- softLight with dimmer function
- Efficient BLDC-technology
- Interval operation
- Automatic after running (Automatic after running (10 minutes))
- Automatic intensive revert (6mins)
- 2 metal grease filter cassettes
- Saturation indicator for metal and charcoal filter
- Noise reduction function
- easy to clean Inner frame

Design

- Chimney hood
- Installation: wall
- Electronic controls

Performance/technical information

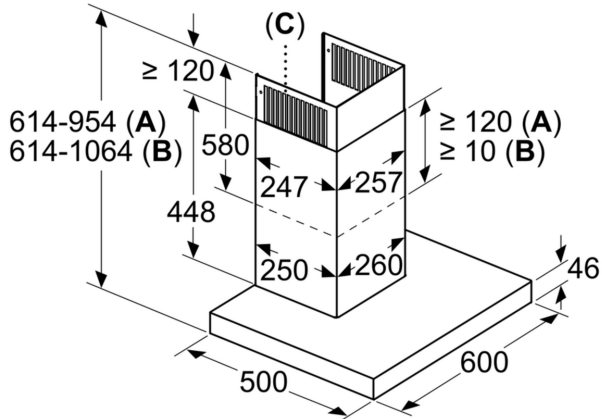
- Suitable for ducted extraction and recirculation
- For recirculated extraction recirculating kit or CleanAir recirculating kit (accessory) needed
- Extraction rate according to EN 61591 max. 657 m³/h
- Noise level according to EN 60704-3 and EN 60704-2-13 at max. normal use exhaust air: 61 dB(A) re 1 pW
- Noise level according to EN 60704-3 and EN 60704-2-13 exhaust air:
- Max. normal use: 61 dB(A) re 1 pW
- Intensive: 71 dB(A) re 1 pW
- Noise level according to EN 60704-3 and EN 60704-2-13 at maximum normal setting: extraction rate: 61 dB (A) re 1 pW
- With the Clean Air Plus recirculation kit (available as optional accessory) your appliances reaches:
- Extraction rate in recirculation mode: Max. normal use: 330 m³/h
- Intensive: 409 m³/h
- Noise level in recirculation mode: Max. normal use: 67 dB(A) re 1 pW
- Intensive: 71 dB(A) re 1 pW
- Power rating: 143 W
- Light Intensity: 267 lux
- Colour Temperature: 3500 K
- Electrical cable length 1.3 m

- Diameter pipe \varnothing 150 mm (\varnothing 120 mm enclosed)
- Dimensions exhaust air (HxWxD): 614-954 x 598 x 500 mm
- Dimensions recirculating (HxWxD): 614-1064 x 598 x 500 mm
- Dimensions recirculating with CleanAir module (HxWxD): 795-1139 x 598 x 500 mm
- Blower Efficiency Class: A*
- Lighting Efficiency Class: A*
- Grease Filtering Efficiency Class: B*
- Average Energy Consumption: 35.3 kWh/year*

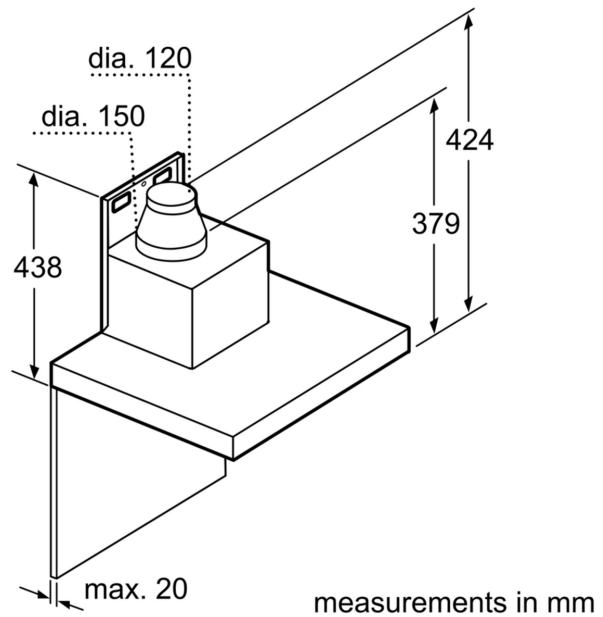
* In accordance with the EU-Regulation No 65/2014

N 70, WALL-MOUNTED COOKER HOOD, 60 CM,
STAINLESS STEEL
D65BMP5NOB

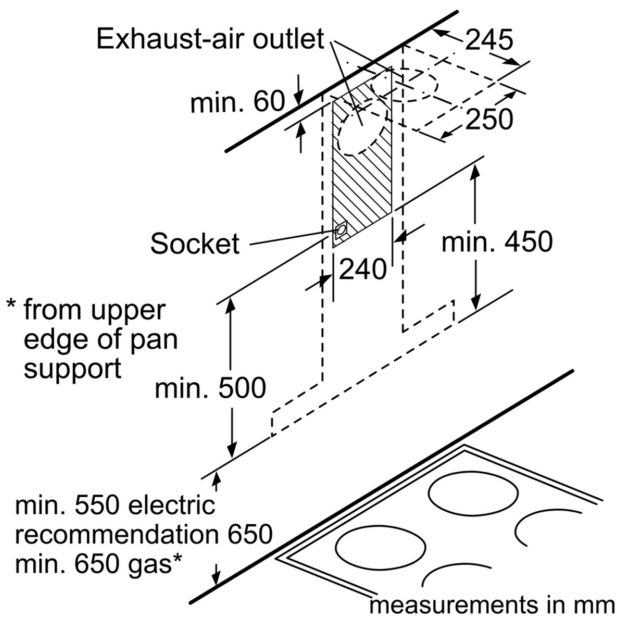
measurements in mm



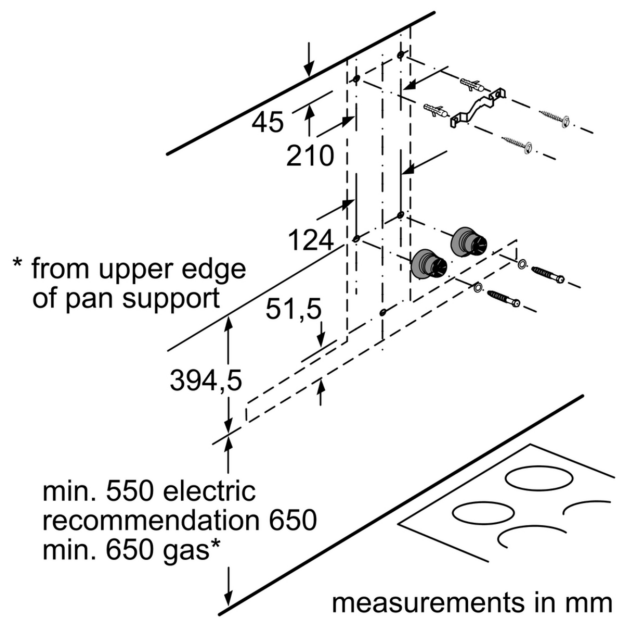
- A:** Air extraction
- B:** Air recirculation
- C:** Air outlet – slots for exhaust air to be mounted facing down



measurements in mm



measurements in mm



measurements in mm