

N 50, WALL-MOUNTED COOKER HOOD, 90 CM,
STAINLESS STEEL
D94QFM1NOB



A

Our classic design hood with a modern twist - experience the slim pyramid hood.

- ✓ Touch Control: an integrated flat surface control panel for smooth operation with a fingerswipe.
- ✓ Intensive speed setting: increases the extraction rate when the steam gets intense
- ✓ LED Lighting – Clear illumination while you cook.
- ✓ Reduced Noise: our optimised motor guarantees a quiet cooking experience.
- ✓ High Extraction Rate – ensures a clear view while cooking thanks to an efficient motor technology

Optional accessories

Z50XXP0X0 Long Life odor filter (replacement), Z51DXA0X0 Standard odor filter (replacement), Z51DXB1X4 Clean Air Standard odor filter (repl.), Z51DXI1X4 Clean Air Standard recirculation kit, Z51DXI1X6 Clean Air Plus recirculation kit, Z51DXU0X0 Standard recirculation kit, Z51FXC1N6 Clean Air Plus recirc. kit external, Z51FXD1N1 Long Life recirculation kit external, Z51FXJ0X0 Long Life recirculation kit, Z53XXB1X6 Clean Air Plus odor filter (replacement), Z5861N0 Back panel stainless steel, Z5895N0 Stainless steel back panel 900 mm, Z5905N0 Chimney extension 1000 mm, Z5915N0 Chimney extension 1500 mm

Features

Technical Data

Typology:	Wall-mounted
Length electrical supply cord:	130.0 cm
Height of the chimney:	582-912/582-1022 mm
Height of the appliance:	94 mm
Minimum distance above an electric hob:	550 mm
Minimum distance above a gas hob:	650 mm
Net weight:	12.4 kg
Type of control:	Electronic
Number of speed settings:	3-stages + intensive setting
Maximum output air extraction:	389 m ³ /h
Boost position output recirculating:	441 m ³ /h
Maximum output recirculating air:	337 m ³ /h
Boost position air extraction:	642 m ³ /h
Maximum Air flow:	389 m ³ /h
Number of lights:	2
Noise level:	61 dB(A) re 1 pW
Diameter of air outlet:	120 / 150 mm
Grease filter material:	Washable aluminium
EAN code:	4242004224211
Connection Rating:	220 W
Fuse protection:	10 A
Voltage:	220-240 V
Frequency:	50; 60 Hz
Plug type:	GB plug
Installation typology:	Wall-mounted



N 50, WALL-MOUNTED COOKER HOOD, 90 CM,
STAINLESS STEEL
D94QFM1NOB

Features

Key performance features:

- Energy Efficiency Class: A (at a range of energy efficiency classes from A+++ to D)
- Extraction rate according to EN 61591 ø 15 cm:
- max. Normal use 389m³/h
- Intensive 642 m³/h
- Noise max. Normal Level: Noise, max. speed in normal us: 61 dB dB*

Features

- Touch control
- LED display
- 3 speeds plus intensive
- 2 x 1.5w LED Light
- Colour Temperature: 3500 K
- Automatic intensive revert (6mins)
- 3 metal grease filter cassettes
- Installation: wall

Design

- Chimney hood
- Electronic controls

Performance/technical information

- Suitable for ducted extraction and recirculation
- For recirculated extraction recirculating kit or CleanAir recirculating kit (accessory) needed
- Max. extraction rate: 642 m³/h
- Noise level according to EN 60704-3 and EN 60704-2-13 at max. normal use exhaust air: 61 dB(A) re 1 pW
- Noise level according to EN 60704-3 and EN 60704-2-13 exhaust air:
- Max. normal use: 61dB(A) re 1 pW
- Intensive: 70 dB(A) re 1 pW
- Noise level according to EN 60704-3 and EN 60704-2-13 at maximum normal setting: extraction rate: 61 dB (A) re 1pW
- With the Clean Air Plus recirculation kit (available as optional accessory) your appliances reaches:
- Extraction rate in recirculation mode: Max. normal use: 337m³/h
- Intensive: 441m³/h
- Noise level in recirculation mode: Max. normal use: 70dB(A) re 1 pW
- Intensive: 74 dB(A) re 1 pW
- Power rating: 220 W
- Light Intensity: 214 lux
- Electrical cable length 1.3 m
- Diameter pipe Ø 150 mm (Ø 120 mm enclosed)
- Dimensions exhaust air (HxWxD): 676-1006 x 900 x 500 mm
- Dimensions recirculating (HxWxD): 676-1116 x 900 x 500 mm
- Dimensions recirculating with CleanAir module (HxWxD):
- 744 x 900 x 500mm - mounting with outer chimney
- 874-1204 x 900 x 500 mm - mounting with telescopic chimney

- Blower Efficiency Class: A*
- Lighting Efficiency Class: A*
- Grease Filtering Efficiency Class: C*
- Average Energy Consumption: 42.4 kWh/year*

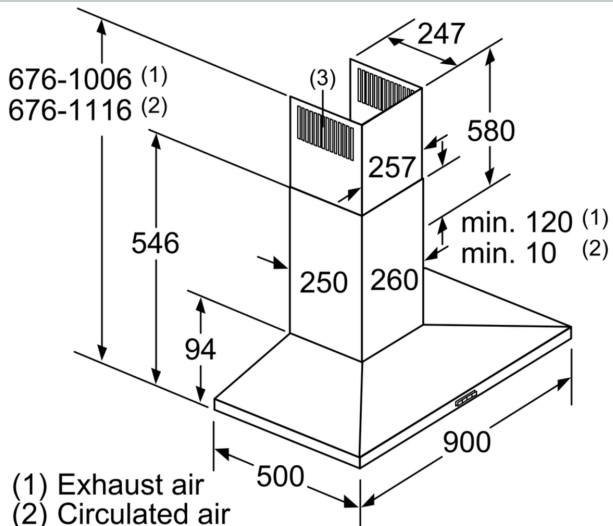
Optional accessories

- Recirculating kit Z50XXP0X0

* In accordance with the EU-Regulation No 65/2014

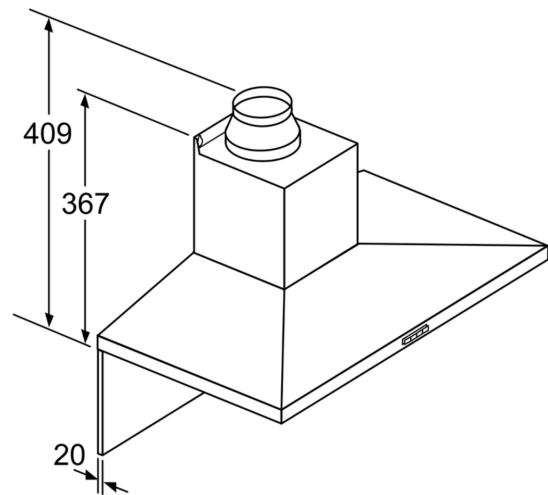
N 50, WALL-MOUNTED COOKER HOOD, 90 CM,
STAINLESS STEEL
D94QFM1NOB

Dimensioned drawings



- (1) Exhaust air
- (2) Circulated air
- (3) Air outlet – slots for exhaust air to be mounted facing down

measurements in mm



If a back panel is used, the design of the appliance must be considered.

measurements in mm

