

N 50, WALL-MOUNTED COOKER HOOD, 90 CM,
MATT BLACK
D95BCC2S0B



Optional accessories

Z51FB11D6 Long-life Clean Air κιτ ανακύκλωσης

- ✓ Energy-efficient Capacitor Motor : a convenient cooking experience with powerful suction.
- ✓ Push Button Control: Effortless hood operation with real push buttons.
- ✓ LED Lighting – Clear illumination while you cook.
- ✓ Enjoy fresh air continuously, thanks to our advanced dual-filter system.

Features

Technical Data

Typology:	Wall-mounted
Length electrical supply cord:	130 cm
Height of the appliance:	60 mm
Minimum distance above an electric hob:	550 mm
Minimum distance above a gas hob:	650 mm
Net weight:	13.4 kg
Type of control:	Mechanical
Number of speed settings:	3
Maximum output air extraction:	594 m ³ /h
Maximum output recirculating air:	569 m ³ /h
Maximum Air flow:	594 m ³ /h
Number of lights:	2
Noise level:	67 dB(A) re 1pW
Diameter of air outlet:	150 mm
Grease filter material:	Washable stainless steel
EAN code:	4242004288008
Connection Rating:	200 W
Voltage:	220-240 V
Frequency:	50 Hz
Plug type:	GB plug
Installation typology:	Wall-mounted



N 50, WALL-MOUNTED COOKER HOOD, 90 CM,
MATT BLACK
D95BCC2S0B

Features

Design:

- Standard design
- wall-mounted
- Suitable for ducted extraction and recirculation

Core Features:

- Capacitor energy efficient
- 2 x LED 1.5W
- Colour Temperature: 3500 K
- Light Intensity: 265 lux
- 3 metal grease filter(s).

Comfort Features:

- Push button control operation for extractor speeds and light
- 3 power levels

Cleaning Comfort:

- Easy to clean smooth surfaces and materials.
- metal grease filter dishwasher-safe
- Coated surfaces for less fingerprint sensitivity

Exhaust Mode:

- According to EN 61591 and EN/ IEC 60704-2-13 your appliance can achieve the following values in exhaust mode:
- Speed 1: extraction rate 361 m³/h; noise level 57 dB(A) re1pW
- Speed 2: extraction rate 469 m³/h; noise level 63 dB(A) re1pW
- Speed 3: extraction rate 594 m³/h; noise level 67 dB (A) re1pW
- Energy Efficiency Class: B (at a range of energy efficiency classes from A+++ to D)
- Average Energy Consumption: 72 kWh/year*
- Blower Efficiency Class: B*
- Lighting Efficiency Class: A*
- Grease Filtering Efficiency Class: B*

Recirculation Mode:

- For recirculation operation Long-life Clean Air recirculation kit (accessory) needed
- The Long-life Clean Air odour filter absorbs intense odours, such as fish, as well as pollen. The lifetime can be extended up to 4 times by refreshing the filter in the oven
- According to EN 61591 and EN/ IEC 60704-2-13 your appliance can achieve the following values in recirculation mode with Long-life Clean Air recirculation kit (available as optional accessory):
- Speed 1: extraction rate 360 m³/h; noise level 60 dB(A) re1pW
- Speed 2: extraction rate 477 m³/h; noise level 67 dB(A) re1pW
- Speed 3: extraction rate 569 m³/h; noise level 71 dB (A) re1pW

Technical Information and Sustainability:

- Consumption data:
- Power rating: 200 W
- Voltage: Nominal voltage: 220 - 240 V
- Sustainability:
- Made in Germany: produced at a CO₂ neutral production site

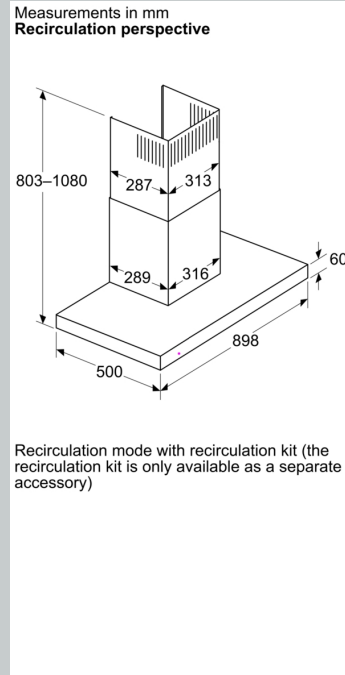
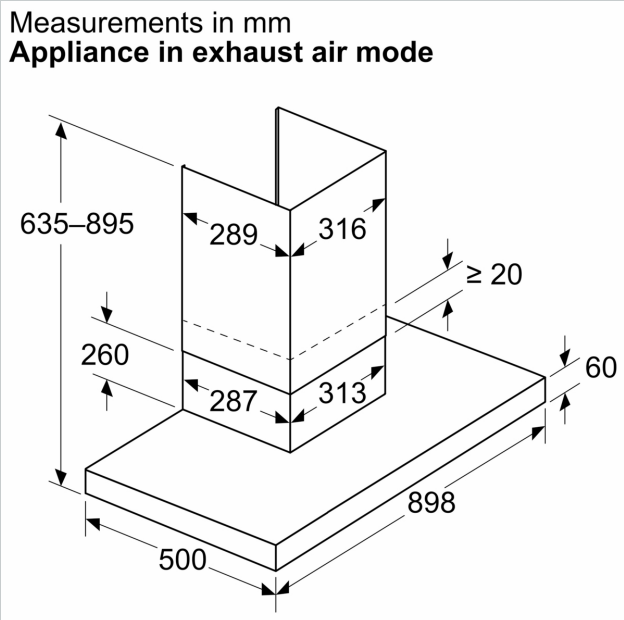
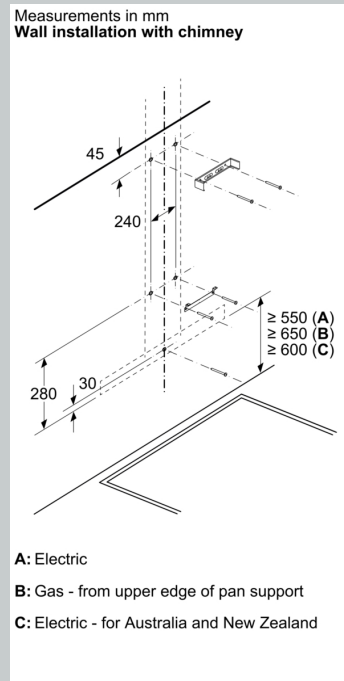
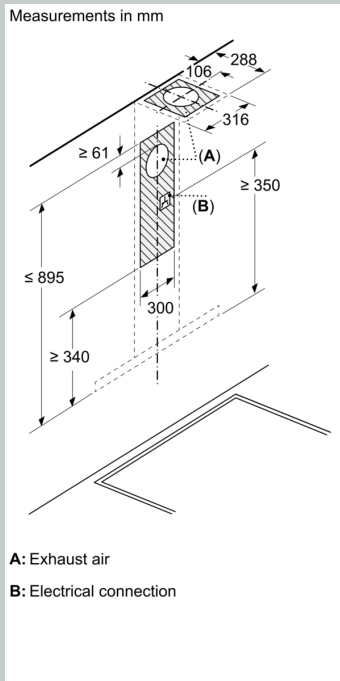
- Environmentally friendly packaging
- Available Long-life Clean Air odour filter with extended lifetime up to 4 times

Planning and Installation Information:

- Dimensions exhaust air (HxWxD): 635-895 x 898 x 500 mm
- Dimensions recirculating (HxWxD): 803-943 x 898 x 500 mm
- Diameter pipe Ø 150 mm
- Electrical cable length 1.3 m

N 50, WALL-MOUNTED COOKER HOOD, 90 CM,
MATT BLACK
D95BCC2S0B

Dimensioned drawings



Dimensioned drawings

Measurements in mm
Wall panel depth

