

N 70, WALL-MOUNTED COOKER HOOD, 90 CM,
STAINLESS STEEL
D95BMP5N0B



The coordinating and stylish Neff box hood is modern in design and keeps up with your cooking.

- ✓ Efficient Drive Motor – Quiet and energy-efficient hood motor for a calmer kitchen.
- ✓ Touch Control: an integrated flat surface control panel for smooth operation with a fingerswipe.
- ✓ Intensive speed setting: increases the extraction rate when the steam gets intense
- ✓ Dimmer Function – easily dim the light according to your mood with the touch of a button
- ✓ Interval Ventilation – automatically ventilates every hour for crisp, clean air

Features

Technical Data

Color chimney:	Stainless steel
Typology:	Wall-mounted
Length electrical supply cord:	130.0 cm
Height of the chimney:	582-908/568-1018 mm
Height of the appliance:	46 mm
Minimum distance above an electric hob:	550 mm
Minimum distance above a gas hob:	650 mm
Net weight:	19.4 kg
Type of control:	Electronic
Number of speed settings:	3-stage + 2 intensive
Maximum output air extraction:	427 m ³ /h
Boost position output recirculating:	442 m ³ /h
Maximum output recirculating air:	343 m ³ /h
Boost position air extraction:	702 m ³ /h
Maximum Air flow:	427 m ³ /h
Number of lights:	3
Noise level:	55 dB(A) re 1pW
Diameter of air outlet:	120 / 150 mm
Grease filter material:	Washable stainless steel
EAN code:	4242004234913
Connection Rating:	145 W
Fuse protection:	10 A
Voltage:	220-240 V
Frequency:	50; 60 Hz
Plug type:	GB plug
Installation typology:	Wall-mounted



Optional accessories

Z5861N0	Back panel stainless steel
Z5895N0	Stainless steel back panel 900 mm
Z5906N1	Chimney extension 1000 mm
Z5916N1	Chimney extension 1500 mm
Z50XP0X0	Long Life odor filter (replacement)
Z51CB12X4	Clean Air Standard recirculation kit
Z51CX2N6	Clean Air Plus recirc. kit external
Z51CX11X6	Clean Air Plus recirculation kit
Z51FXD2N1	Long Life recirculation kit external
Z51FXJ0X5	Long Life recirculation kit
Z53CBB2X4	Clean Air Standard odor filter (repl.)
Z53XXB1X6	Clean Air Plus odor filter (replacement)

N 70, WALL-MOUNTED COOKER HOOD, 90 CM,
STAINLESS STEEL
D95BMP5NOB

Features

Key performance features:

- Energy Efficiency Class: A (at a range of energy efficiency classes from A+++ to D)
- Extraction rate exhaust air according to EN 61591:
- max. normal use 427 m³/h, intensive 702 m³/h
- Noise max. Normal Level: Noise, max. speed in normal us: 55 dB dB*

Features

- Stainless steel
- Electronic controls
- Touch control
- Interval operation
- Noise reduction function
- Efficient BLDC technology
- 3 power levels and 2 intensive settings
- Automatic intensive revert (6mins)
- SoftLight with dimmer function
- 3 x 1,5W LED
- Automatic after running (Automatic after running (10 minutes))
- Saturation indicator for metal and charcoal filter
- 3 metal grease filter cassettes
- Steel filter cover
- Installation system: Chimney hood wall fixing syst.

Design

- 90 cm wide
- Chimney hood
- Installation: wall
- easy to clean Inner frame

Performance/technical information

- Suitable for ducted extraction and recirculation
- For recirculated extraction recirculating kit or CleanAir recirculating kit (accessory) needed
- Extraction rate according to EN 61591 ø 15 cm:
- max. Normal use 427m³/h
- Intensive 702 m³/h
- Maximum extraction rate exhaust air 427 m³/h according to EN 61591
- Noise level according to EN 60704-3 and EN 60704-2-13 at max. normal use exhaust air: 55 dB(A) re 1 pW
- Noise level according to EN 60704-3 and EN 60704-2-13 exhaust air:
- Max. normal use: 55dB(A) re 1 pW
- Intensive: 66 dB(A) re 1 pW
- With the Clean Air Plus recirculation kit (available as optional accessory) your appliances reaches:
- Extraction rate in recirculation mode: Max. normal use: 343m³/h
- Intensive: 442m³/h
- Noise level in recirculation mode: Max. normal use: 66dB(A) re 1 pW

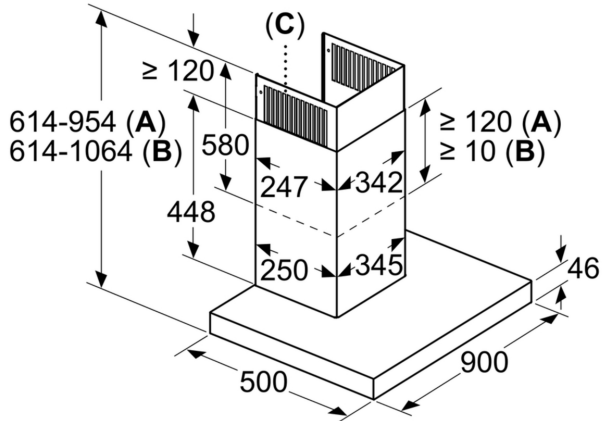
- Intensive: 70 dB(A) re 1 pW
- Power rating: 145 W
- Light Intensity: 359 lux
- Colour Temperature: 3500 K
- Average Energy Consumption: 33.8 kWh/year*
- Blower Efficiency Class: A*
- Lighting Efficiency Class: A*
- Grease Filtering Efficiency Class: B*
- Electrical cable length 1.3 m
- Dimensions recirculating with CleanAir module (HxWxD):
- 689 x 898 x 500mm - mounting with outer chimney
- 795-1139 x 898 x 500 mm - mounting with telescopic chimney
- Additional noise insulation
- Diameter pipe Ø 150 mm (Ø 120 mm enclosed)
- Max. extraction rate: 702 m³/h
- Dimensions exhaust air (HxWxD): 614-954 x 898 x 500 mm
- Dimensions recirculating (HxWxD): 614-1064 x 898 x 500 mm

* In accordance with the EU-Regulation No 65/2014

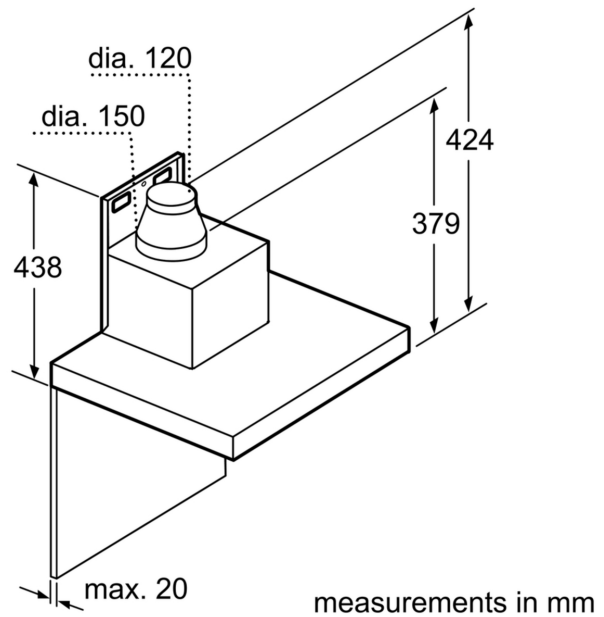
N 70, WALL-MOUNTED COOKER HOOD, 90 CM,
STAINLESS STEEL
D95BMP5NOB

Dimensioned drawings

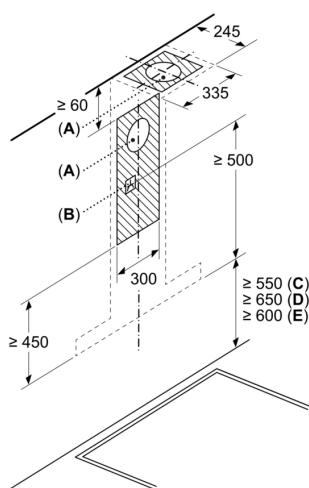
measurements in mm



- A:** Air extraction
- B:** Air recirculation
- C:** Air outlet – slots for exhaust air to be mounted facing down

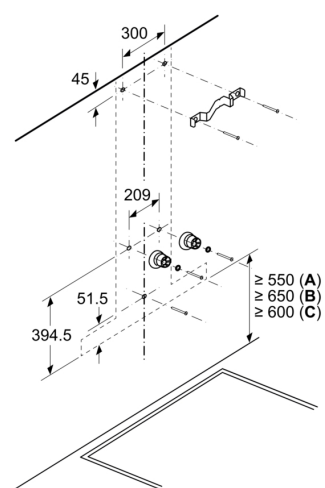


Measurements in mm



- A:** Exhaust air outlet
- B:** Socket
- C:** Electric
- D:** Gas - from upper edge of pan support
- E:** Electric - for Australia and New Zealand

Measurements in mm



- A:** Electric
- B:** Gas - from upper edge of pan support
- C:** Electric - for Australia and New Zealand