

N 50, WALL-MOUNTED COOKER HOOD, 90 CM,
CLEAR GLASS BLACK PRINTED
D951HM1SOB



B

The design hood with an inclined front and high power ensures headroom while cooking.

- ✓ Touch Control: an integrated flat surface control panel for smooth operation with a fingerswipe.
- ✓ Intensive speed setting: increases the extraction rate when the steam gets intense
- ✓ LED Lighting – Clear illumination while you cook.
- ✓ Reduced Noise: our optimised motor guarantees a quiet cooking experience.

Features

Technical Data

Typology:Wall-mounted
 Length of electrical supply cord: 130.0 cm
 Height of the appliance: 323 mm
 Minimum distance above an electric hob: 450 mm
 Minimum distance above a gas hob: 650 mm
 Net weight: 23.8 kg
 Type of control: Electronic
 Number of speed settings:3-stages + intensive setting
 Maximum output air extraction:416 m³/h
 Boost position output recirculating:469 m³/h
 Maximum output recirculating air: 367 m³/h
 Boost position air extraction:700 m³/h
 Maximum Air flow: 416 m³/h
 Number of lights (Stck): 2
 Noise level: 58 dB(A) re 1 pW
 Diameter of air outlet:120 / 150 mm
 Grease filter material: Washable aluminium
 EAN code:4242004210221
 Connection rating:263 W
 Fuse protection:10 A
 Voltage:220-240 V
 Frequency: 60; 50 Hz
 Plug type: GB plug
 Installation type: Wall-mounted



4 242004 210221

Optional accessories

Z50XXP0X0	Long Life odor filter (replacement)
Z51AIB1X6	Clean Air Plus odor filter (replacement)
Z51AII1X6	Clean Air Plus recirculation kit
Z51AIROX0	Long Life recirculation kit (chimless)
Z51AIS0X0	Long Life recirculation kit
Z51AIV1X6	Clean Air Plus recirc. kit (chimless)
Z51AXC1N6	Clean Air Plus recirc. kit external
Z51AXK0N0	Chimney extension 1000 mm
Z51AXL0N0	Chimney extension 1500 mm
Z53XXB1X6	Clean Air Plus odor filter (replacement)
Z91AXE1S1	Chimney standard black

N 50, WALL-MOUNTED COOKER HOOD, 90 CM,
CLEAR GLASS BLACK PRINTED
D951HM1SOB

Features

Key performance features:

- Energy Efficiency Class: B (at a range of energy efficiency classes from A+++ to D)
- Extraction rate according to EN 61591 \varnothing 15 cm:
- max. Normal use 416 m³/h
- Intensive 700 m³/h
- Noise max. Normal Level: Noise, max. speed in normal us: 58 dB dB*

Features

- Touch control
- LED display
- 3 speeds plus intensive
- 2 x 1.5w LED Light
- Colour Temperature: 3500 K
- Automatic intensive revert (6mins)
- 2 metal grease filter cassettes
- easy to clean Inner frame
- Rim ventilation

Design

- Chimney hood
- Installation: wall
- Electronic controls

Performance/technical information

- Suitable for ducted extraction and recirculation
- For recirculated extraction recirculating kit or CleanAir recirculating kit (accessory) needed
- Installation system: Wall fixing inclined/flat/cube
- Extraction rate according to EN 61591 max. 700 m³/h
- Noise level according to EN 60704-3 and EN 60704-2-13 at maximum normal setting: extraction rate: 58 dB (A) re 1pW
- Noise level according to EN 60704-3 and EN 60704-2-13 exhaust air:
- Max. normal use: 58dB(A) re 1 pW
- Intensive: 67 dB(A) re 1 pW
- Power rating: 263 W
- Light Intensity: 90 lux
- Electrical cable length 1.3 m
- Diameter pipe \varnothing 150 mm (\varnothing 120 mm enclosed)
- Dimensions exhaust air (HxWxD): 928-1198 x 890 x 499 mm
- Dimensions recirculating (HxWxD): 988-1258 x 890 x 499 mm
- Dimensions recirculating with CleanAir module (HxWxD):
- 1118 x 890 x 499mm - mounting with outer chimney
- 1188-1458 x 890 x 499 mm - mounting with telescopic chimney
- Blower Efficiency Class: B*
- Lighting Efficiency Class: B*
- Grease Filtering Efficiency Class: C*
- Average Energy Consumption: 56.6 kWh/year*

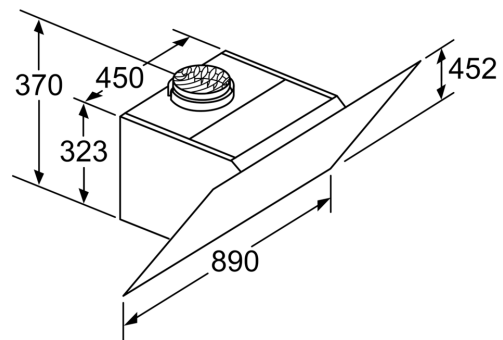
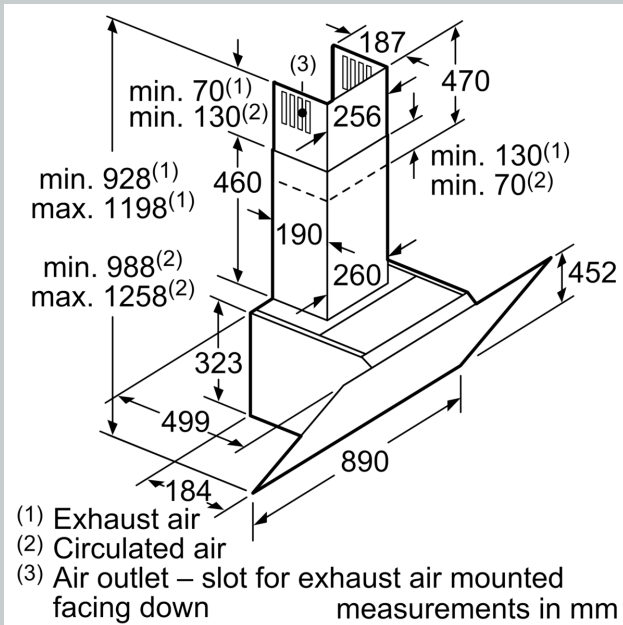
Optional accessories

- Recirculating kit Z50XXPOX0

* In accordance with the EU-Regulation No 65/2014

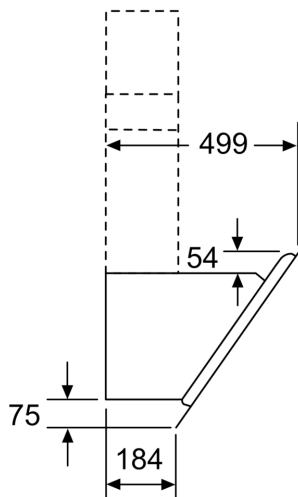
N 50, WALL-MOUNTED COOKER HOOD, 90 CM,
CLEAR GLASS BLACK PRINTED
D951HM1S0B

Dimensioned drawings



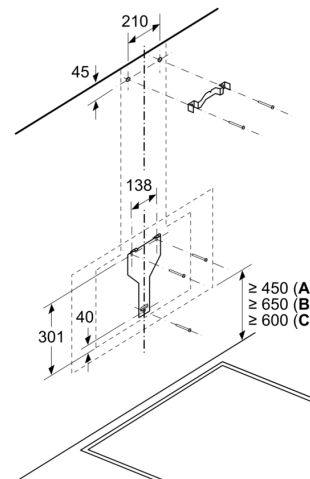
Appliance in circulated air mode
without duct
Circulated air set required

measurements in mm



measurements in mm

Measurements in mm

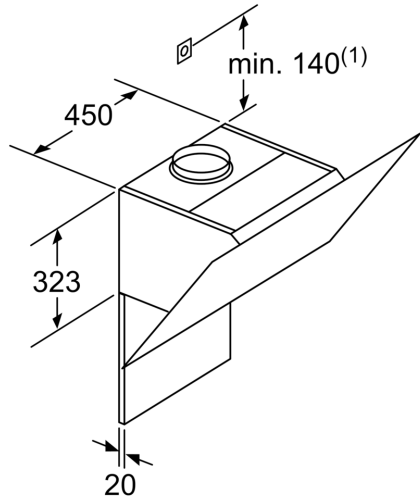


A: Electric

B: Gas - from upper edge of pan support

C: Electric - for Australia and New Zealand

Dimensioned drawings



(1) Position of socket

Note the maximum thickness of the back panel.
measurements in mm

