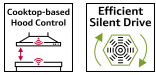


N 90, WALL-MOUNTED COOKER HOOD, 90 CM,  
STAINLESS STEEL  
D96BMV5N5B



A+



Optional accessories

Z50XP0X0 Long Life odor filter (replacement), Z5102X1 Standard odor filter (replacement), Z5102X5 Standard recirculation kit, Z51CB12X4 Clean Air Standard recirculation kit, Z51CXC2N6 Clean Air Plus recirc. kit external, Z51CX11X6 Clean Air Plus recirculation kit, Z51FXD2N1 Long Life recirculation kit external, Z51FXJ0X5 Long Life recirculation kit, Z53CBB2X4 Clean Air Standard odor filter (repl.), Z53XXB1X6 Clean Air Plus odor filter (replacement), Z5861N0 Back panel stainless steel, Z5895N0 Stainless steel back panel 900 mm, Z5906N1 Chimney extension 1000 mm, Z5916N1 Chimney extension 1500 mm

The coordinating and stylish Neff box hood is modern in design and keeps up with your cooking.

- ✓ Fully Automatic Hood – Takes control as soon as you switch on the hob.
- ✓ Cooktop-based Hood Control – Adjust your hood's extraction level and lighting.
- ✓ Efficient Drive Motor – Quiet and energy-efficient hood motor for a calmer kitchen.
- ✓ Touch Control: an integrated flat surface control panel for smooth operation with a fingerswipe.

Features

Technical Data

Typology: ..... Wall-mounted  
 Length electrical supply cord: ..... 130.0 cm  
 Height of the chimney: ..... 582-908/568-1018 mm  
 Height of the appliance: ..... 46 mm  
 Minimum distance above an electric hob: ..... 550 mm  
 Minimum distance above a gas hob: ..... 650 mm  
 Net weight: ..... 19.1 kg  
 Type of control: ..... Electronic  
 Number of speed settings: ..... 3-stage + 2 intensive  
 Maximum output air extraction: ..... 430 m<sup>3</sup>/h  
 Boost position output recirculating: ..... 457 m<sup>3</sup>/h  
 Maximum output recirculating air: ..... 353 m<sup>3</sup>/h  
 Boost position air extraction: ..... 844 m<sup>3</sup>/h  
 Maximum Air flow: ..... 430 m<sup>3</sup>/h  
 Number of lights: ..... 3  
 Noise level: ..... 55 dB(A) re 1 pW  
 Diameter of air outlet: ..... 120 / 150 mm  
 Grease filter material: ..... Washable stainless steel  
 EAN code: ..... 4242004234944  
 Connection Rating: ..... 169 W  
 Fuse protection: ..... 10 A  
 Voltage: ..... 220-240 V  
 Frequency: ..... 50; 60 Hz  
 Plug type: ..... GB plug  
 Installation typology: ..... Wall-mounted  
 Delay Shut off modes: ..... 10 min



N 90, WALL-MOUNTED COOKER HOOD, 90 CM,  
 STAINLESS STEEL  
 D96BMV5N5B

## Features

### Key performance features:

- Energy Efficiency Class: A+ (at a range of energy efficiency classes from A+++ to D)
- Extraction rate according to EN 61591  $\varnothing$  15 cm:
- max. Normal use 430m<sup>3</sup>/h
- Intensive 844 m<sup>3</sup>/h
- Noise max. Normal Level: Noise, max. speed in normal us: 55 dB dB\*

### Special features

- Climate Control Sensor
- Hob-Hood control (with Wi-Fi enabled hob)
- Remote Monitoring and Control for connected home appliances and operation via smartphone or tablet (only in countries where Home Connect service is available)
- The Home Connect functionality can be extended by integrating numerous applications from external cooperation partners (partnerships)
- Voice Control enabled via popular voice assistants (only in countries where this service is available)
- Adjustable color temperature (2.700 K - 5.000 K) for adaption to the room lighting available via Home Connect
- Fully automatic hood

### Features

- Touch control
- 3 power levels and 2 intensive settings
- 3 x 3W LED lights
- softLight with dimmer function
- Efficient BLDC-technology
- Interval operation
- Automatic after running (Automatic after running (10 minutes))
- Automatic intensive revert (6mins)
- 3 metal grease filter cassettes
- Saturation indicator for metal and charcoal filter
- Noise reduction function
- Additional noise insulation
- easy to clean Inner frame

### Design

- Chimney hood
- Installation: wall
- Electronic controls

### Performance/technical information

- Suitable for ducted extraction and recirculation
- For recirculated extraction recirculating kit or CleanAir recirculating kit (accessory) needed
- Extraction rate according to EN 61591 max. 844 m<sup>3</sup>/h
- Noise level according to EN 60704-3 and EN 60704-2-13 at max. normal use exhaust air: 55 dB(A) re 1 pW
- Noise level according to EN 60704-3 and EN 60704-2-13 exhaust air:

- Max. normal use: 55dB(A) re 1 pW
- Intensive: 69 dB(A) re 1 pW
- Noise level according to EN 60704-3 and EN 60704-2-13 at maximum normal setting: extraction rate: 55 dB (A) re 1pW
- With the Clean Air Plus recirculation kit (available as optional accessory) your appliances reaches:
- Extraction rate in recirculation mode: Max. normal use: 353m<sup>3</sup>/h
- Intensive: 457m<sup>3</sup>/h
- Noise level in recirculation mode: Max. normal use: 67dB(A) re 1 pW
- Intensive: 71 dB(A) re 1 pW
- Power rating: 169 W
- Light Intensity: 578 lux
- Electrical cable length 1.3 m
- Diameter pipe  $\varnothing$  150 mm ( $\varnothing$  120 mm enclosed)
- Dimensions exhaust air (HxWxD): 614-954 x 898 x 500 mm
- Dimensions recirculating (HxWxD): 614-1064 x 898 x 500 mm
- Dimensions recirculating with CleanAir module (HxWxD): 795-1139 x 898 x 500 mm
- Blower Efficiency Class: A\*
- Lighting Efficiency Class: A\*
- Grease Filtering Efficiency Class: B\*
- Average Energy Consumption: 33.5 kWh/year\*

### Optional accessories

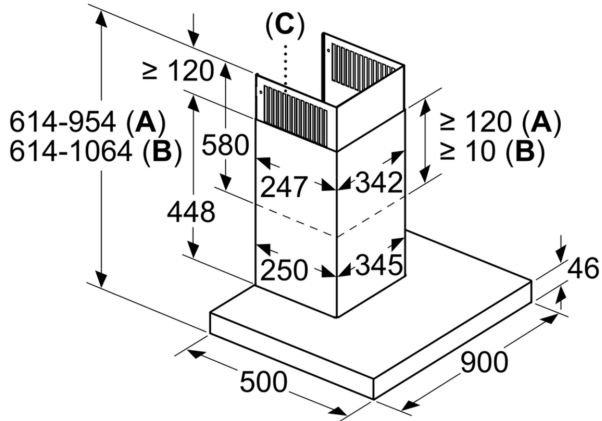
- Recirculating kit Z50XXP0X0

\* In accordance with the EU-Regulation No 65/2014

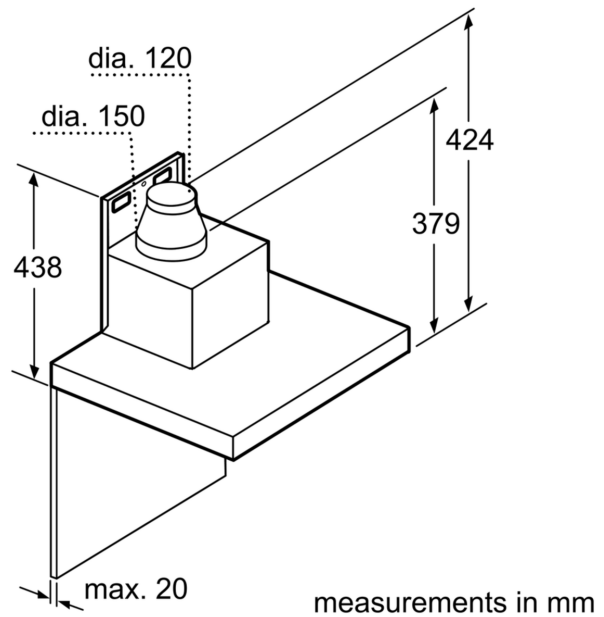
N 90, WALL-MOUNTED COOKER HOOD, 90 CM,  
STAINLESS STEEL  
D96BMV5N5B

Dimensioned drawings

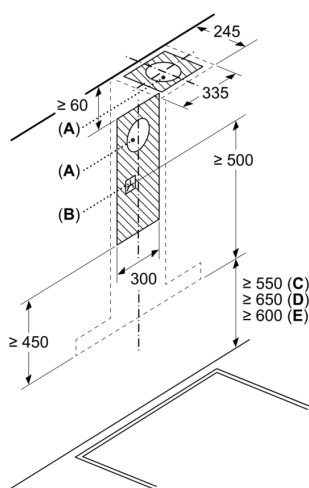
measurements in mm



- A:** Air extraction
- B:** Air recirculation
- C:** Air outlet – slots for exhaust air to be mounted facing down

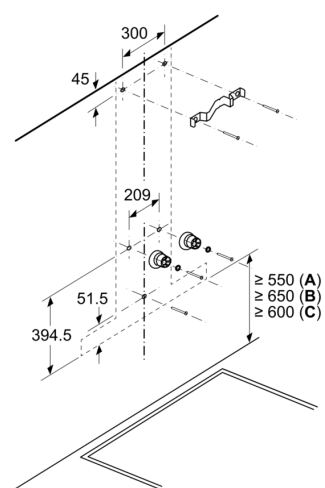


Measurements in mm



- A:** Exhaust air outlet
- B:** Socket
- C:** Electric
- D:** Gas - from upper edge of pan support
- E:** Electric - for Australia and New Zealand

Measurements in mm



- A:** Electric
- B:** Gas - from upper edge of pan support
- C:** Electric - for Australia and New Zealand