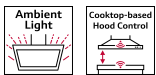


N 90, WALL-MOUNTED COOKER HOOD, 90 CM,  
CLEAR GLASS BLACK PRINTED  
D961MW1G1



A+



#### Optional accessories

Z51AIB1X6	Clean Air Plus odor filter (replacement)
Z51AII1X6	Clean Air Plus recirculation kit
Z51AIROX0	Long Life recirculation kit (chimless)
Z51AIS0X0	Long Life recirculation kit
Z51AIV1X6	Clean Air Plus recirc. kit (chimless)

The design hood with an inclined front and high power ensures headroom while cooking.

- ✓ Ambient Light – Individualized lighting with endless colour shades via Home Connect.
- ✓ Fully Automatic Hood – Takes control as soon as you switch on the hob.
- ✓ Cooktop-based Hood Control – Adjust your hood's extraction level and lighting.

#### Features

##### Technical Data

Typology:	Wall-mounted
Length electrical supply cord:	130.0 cm
Height of the appliance:	323 mm
Minimum distance above an electric hob:	450 mm
Minimum distance above a gas hob:	650 mm
Net weight:	23.2 kg
Type of control:	Electronic
Number of speed settings:	3-stage + 2 intensive
Maximum output air extraction:	468 m <sup>3</sup> /h
Boost position output recirculating:	703.0 m <sup>3</sup> /h
Maximum output recirculating air:	459 m <sup>3</sup> /h
Boost position air extraction:	837 m <sup>3</sup> /h
Maximum Air flow:	468 m <sup>3</sup> /h
Number of lights:	2
Noise level:	55 dB(A) re 1 pW
Diameter of air outlet:	120 / 150 mm
Grease filter material:	Washable aluminium
EAN code:	4242004255253
Connection Rating:	170 W
Fuse protection:	10 A
Voltage:	220-240 V
Frequency:	50; 60 Hz
Plug type:	Gardy plug w/ earthing
Installation typology:	Wall-mounted
Delay Shut off modes:	10 min



*N 90, WALL-MOUNTED COOKER HOOD, 90 CM,  
CLEAR GLASS BLACK PRINTED  
D961MW1G1*

## Features

### Remote Monitoring and Control

- Remote Monitoring and Control for connected home appliances and operation via smartphone or tablet (only in countries where Home Connect service is available)
- The Home Connect functionality can be extended by integrating numerous applications from external cooperation partners (partnerships)
- Voice Control enabled via popular voice assistants (only in countries where this service is available)
- Adjustable color temperature (2.700 K - 5.000 K) for adaption to the room lighting available via Home Connect
- Interval function: available via Home Connect
- Silence function: available via Home Connect

### Key performance features:

- Energy Efficiency Class: A+ (at a range of energy efficiency classes from A+++ to D)
- Extraction rate exhaust air according to EN 61591:
- max. normal use 467 m<sup>3</sup>/h, intensive 837 m<sup>3</sup>/h
- Noise max. Normal Level: Noise, max. speed in normal us: 55 dB dB\*

### Features

- Graphite-Grey Edition
- Hob-Hood control (with Wi-Fi enabled hob)
- Main On / Off switch, Hob-Hood control (with Wi-Fi enabled hob), Smart Device, None
- Climate Control Sensor
- Additional functions: Ambient light RGB
- Gas spring 3
- Touch control for extractor speeds and light
- Touch control with LED display, 3x7-segment
- 3 power levels and 2 intensive settings via Touch control
- Noise reduction function
- SoftLight with dimmer function
- 2 x LM5-04\_LED\_3W
- Efficient BLDC technology
- Interval operation
- Automatic intensive revert (6mins)
- Automatic after running (Automatic after running (10 minutes))
- 2 metal grease filter cassettes
- Saturation indicator for metal and charcoal filter
- Additional noise insulation
- easy to clean Inner frame
- Installation: wall
- Installation system: Wall fixing inclined/flat/cube
- Rim ventilation
- 2 capture areas: front side and bottom side

### Design

- 90 cm

- Chimney hood
- Equipped with black chimney section
- Electronic controls
- Black glass
- Filter cover glass, metal grease filter

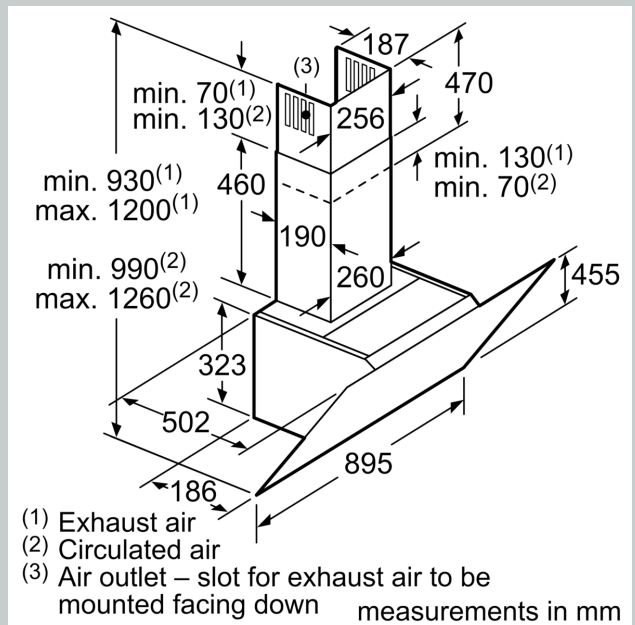
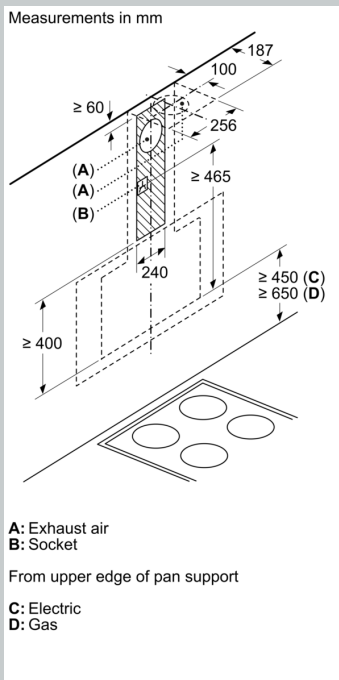
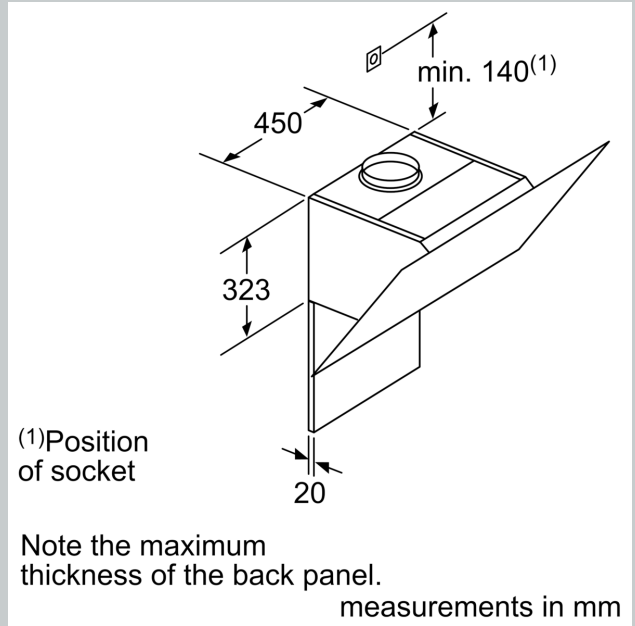
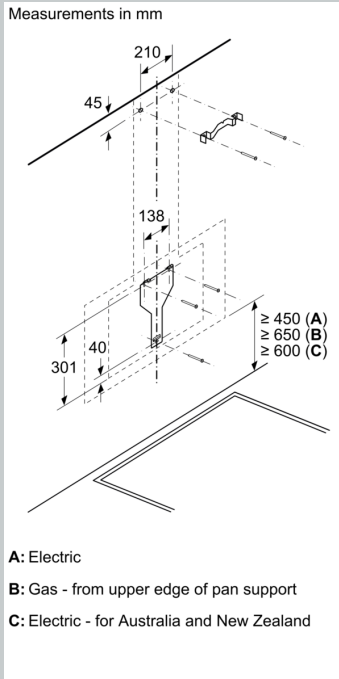
### Performance/technical information

- Suitable for ducted extraction and recirculation
- In recirculation operation chimless use possible
- For recirculated extraction a recirculating kit or a CleanAir recirculation kit (accessory) is needed
- Extraction rate according to EN 61591 max. 837 m<sup>3</sup>/h
- Extraction rate according to EN 61591 ø 15 cm:
- max. Normal use 467 m<sup>3</sup>/h
- Intensive 837 m<sup>3</sup>/h
- Noise level according to EN 60704-3 and EN 60704-2-13 at max. normal use exhaust air: 55 dB(A) re 1 pW
- Noise level according to EN 60704-3 and EN 60704-2-13 exhaust air:
- Max. normal use: 55 dB(A) re 1 pW
- Intensive: 67 dB(A) re 1 pW
- With the Clean Air Plus recirculation kit (available as optional accessory) your appliances reaches:
- Extraction rate in recirculation mode: Max. normal use: 459 m<sup>3</sup>/h
- Intensive: 703 m<sup>3</sup>/h
- Noise level in recirculation mode with Clean Air Plus odor filter :
- Max. normal use: 65 dB(A) re 1 pW
- Intensive: 77 dB(A) re 1 pW
- Power rating: 170 W
- Light Intensity: 348 lux
- Electrical cable length Length of mains cable: 130 cm Cable with plug
- Diameter pipe ø 150 mm (ø 120 mm enclosed)
- Twin channel high performance fan motor
- Dimensions exhaust air (HxWxD): 930-1200 x 895 x 502 mm
- Dimensions recirculating, chimney (HxWxD): 990-1260 x 895 x 502 mm
- Dimensions recirculating, chimless (HxWxD): 455 mm x 895 x 502 mm
- Dimensions recirculating with CleanAir module (HxWxD):
- 1120 x 895 x 502 mm - mounting with outer chimney
- 1190-1460 x 895 x 502 mm - mounting with telescopic chimney
- Average Energy Consumption: 32.6 kWh/year\*
- Blower Efficiency Class: A\*
- Lighting Efficiency Class: A\*
- Grease Filtering Efficiency Class: B\*

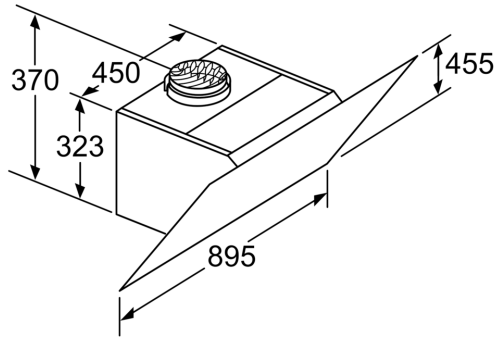
\* In accordance with the EU-Regulation No 65/2014

N 90, WALL-MOUNTED COOKER HOOD, 90 CM,  
CLEAR GLASS BLACK PRINTED  
D961MW1G1

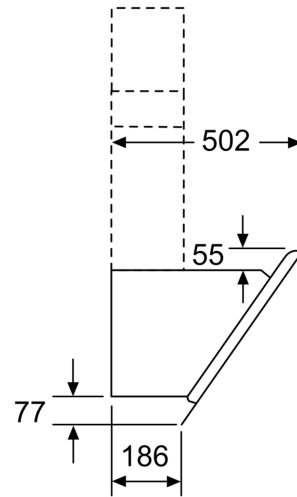
Dimensioned drawings



Dimensioned drawings



Appliance in circulated air mode  
without duct  
Circulated air set required  
measurements in mm



measurements in mm