

N 50, Built-in freezer, 71.2 x 55.8 cm, flat hinge
G1113F30



COOKING PASSION SINCE 1877



A++



This built-in freezer helps to defrost faster, comes with a malfunction warning signal and consumes very low energy only.

✓ LowFrost: Reduces frost in the freezer compartment for faster defrosting.

Features

Technical Data

Thermometer freeze section : None
Light : No
Product category : Upright freezer
Construction type : Built-in
Door panel options : Not possible
Frost free system : No
Height of the product : 712 mm
Width of the appliance : 558 mm
Depth of the product : 545 mm
Dimensions of the packed product (HxWxD) : 790 x 640 x 620 mm
Net weight : 36.034 kg
Gross weight : 38.5 kg
Connection rating : 90 W
Fuse protection : 10 A
Frequency : 50 Hz
Approval certificates : CE, VDE
Length of electrical supply cord : 230 cm
Door hinge : Right reversible
Storage Period in Event of Power Failure (h) : 21 h
Defrost process : manual
Warning signal / malfunction : visual and audible
Lockable door : No
Number of drawers/baskets (Stck) : 3
Number of freezing flaps (Stck) : 0
EAN code : 4242004204886
Brand : Neff
Product name / Commercial code : G1113F30
Product category : Upright freezer
Energy consumption annual - NEW (2010/30/EC) : 144.00 kWh/annum
Freezer Net capacity - NEW (2010/30/EC) : 72 l
Freezing capacity) - NEW (2010/30/EC) : 8 kg/24h
Climate class : SN-T
Noise level : 36 dB(A) re 1 pW
Installation type : Full-integrated



4 242004 204886

N 50, Built-in freezer, 71.2 x 55.8 cm, flat hinge
G1113F30

Features

Performance and Consumption

- Energy Efficiency Class: A++
- Energy consumption: 144 kWh kWh/yr.
- Total net capacity: 72 l litres
- Noise level dB(A) re 1 pW: 36

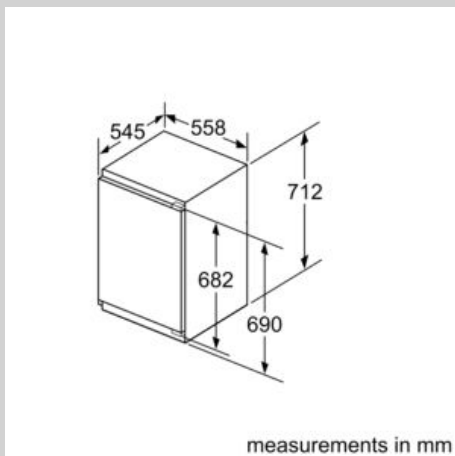
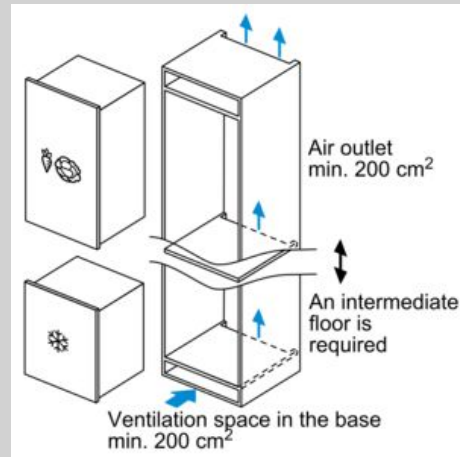
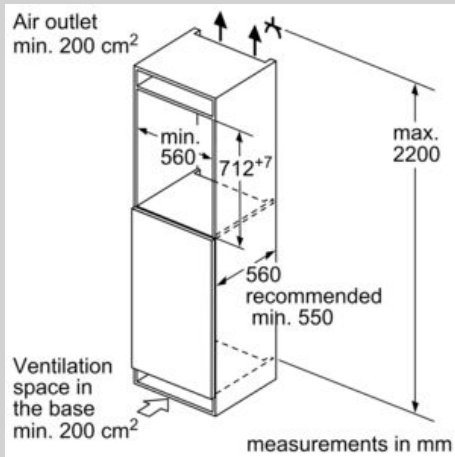
Additional features

- Fixed hinge
- SuperFreeze function with automatic deactivation
- Electronic control (LED chain)
- Freezer malfunction warning signal: optical, acoustical
- Net freezer capacity: 72 litres
- Freezing capacity in 24 hours: 8 kg
- Maximum freezer storage time in power failure: 21 hours
- 3 freezer drawers
- Right hinged door, reversible
- Climate class SN-T (suitable for ambient temperatures between 10 to 43°C)
- Connection value 90 W
- 220 - 240 V

Dimension and installation

- Dimensions: 71.2 cm H x 55.8 cm W x 54.5 cm D
- Niche Dimensions: 72 cm H x 56 cm W x 55 cm D
- cold accumulator, ice cube tray
- Gross capacity, total: 73 l
- **** freezer (-18°C and below)
- Based on the results of the standard 24-hour test. Actual consumption depends on usage/position of the appliance.

Dimensioned drawings



measurements in mm
Recommended gap dimensions for flat hinges

F	R	X
16-19	0-3	2.5
20	0-1	3
	2-3	2.5
21	0-1	3
	2-3	2.5
22	0	4
	1	3.5
	2-3	3

The gap dimensions recommended in the table must be adhered to in order to ensure that appliance doors do not collide with anything when they are opened, and to avoid causing damage to kitchen units.

