

N 50, BUILT-IN FREEZER, 71.2 X 55.8 CM, FLAT HINGE
G1113FE0



Included accessories

1 x ice cube tray

Optional accessories

KU1213Z0 Attachment door, stainless steel

This built-in freezer helps to defrost faster, comes with a malfunction warning signal and consumes very low energy only.

√ Low Frost – Reduces frost in the freezer compartment for faster defrosting

Features

Technical Data

Energy Efficiency Class:E
 Average annual energy consumption in kilowatt hour per year (kWh/a): 167 kWh/a
 Sum of volume of frozen compartments: 72 l
 Airborne acoustical noise emissions : 36 dB(A) re 1 pW
 Airborne acoustical noise emission class: C
 Thermometer freeze section:None
 Light: No
 Product category: Upright freezer
 Built-in / Free-standing: Built-in
 Door panel options: Not possible
 Frost free system:No
 Height of the appliance: 712 mm
 Width of the appliance: 558 mm
 Depth: 545 mm
 Dimensions of the packed product (HxWxD): . 790 x 620 x 640 mm
 Net weight: 35.6 kg
 Gross weight: 38.0 kg
 Connection Rating: 90 W
 Fuse protection: 10 A
 Frequency: 50 Hz
 Length electrical supply cord: 230.0 cm
 Door hinge:Right reversible
 Defrost process: manual
 Warning signal / malfunction: Both visual and audible
 Door lock: No
 Number of drawers/baskets (Stck): 3
 Number of freezing flaps (Stck):0
 EAN code:4242004239628
 Brand:Neff
 Product name / Commercial code: G1113FE0
 Product category: Upright freezer
 Included accessories: 1 x ice cube tray



N 50, BUILT-IN FREEZER, 71.2 X 55.8 CM, FLAT
HINGE
G1113FEO

Features

Functions

- Fixed hinge
- Fixed hinge

Design features

- lowFrost freezer - less ice build up, faster defrosting
- SuperFreeze function with automatic deactivation
- Electronic control (LED chain)
- Freezer malfunction warning signal: optical, acoustical

Dimension and installation

- Right hinged door, reversible
- Connection value 90 W
- 220 - 240 V
- Dimensions: 71.2 cm H x 55.8 cm W x 54.5 cm D
- Niche Dimensions: 72 cm H x 56 cm W x 55 cm D

Food freshness system

Key features - Freezer section

- Freezing possible in all freezer compartments
- Manual defrost freezer
- 3 freezer drawers
- ice cube tray

Included accessories

- KU1213Z0

Design features

Dimension and installation

- Based on the results of the standard 24-hour test. Actual consumption depends on usage/position of the appliance.

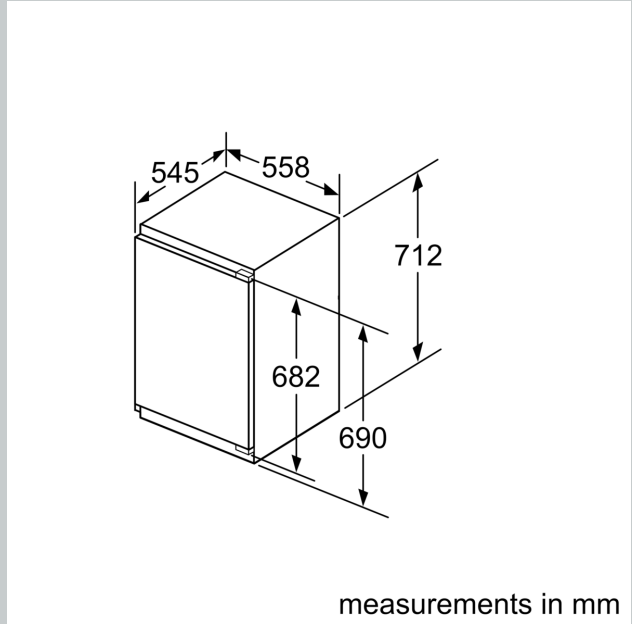
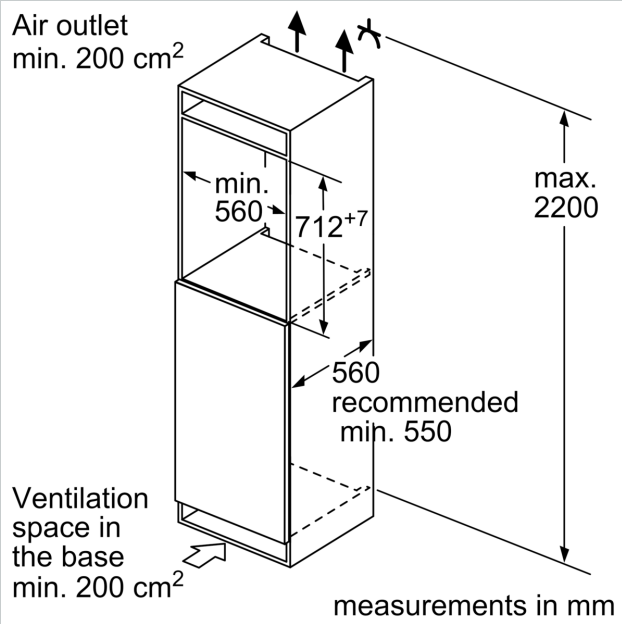
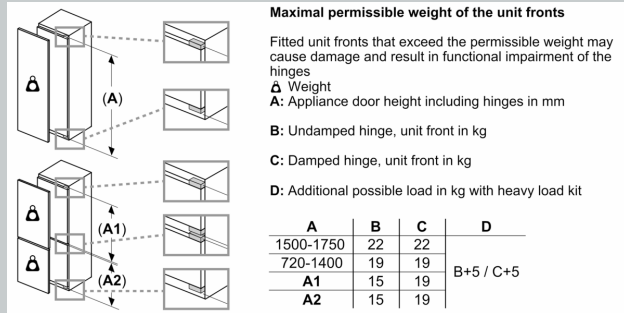
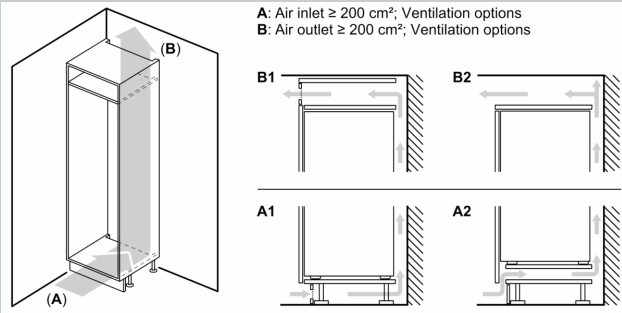
Additional features

Performance and Consumption

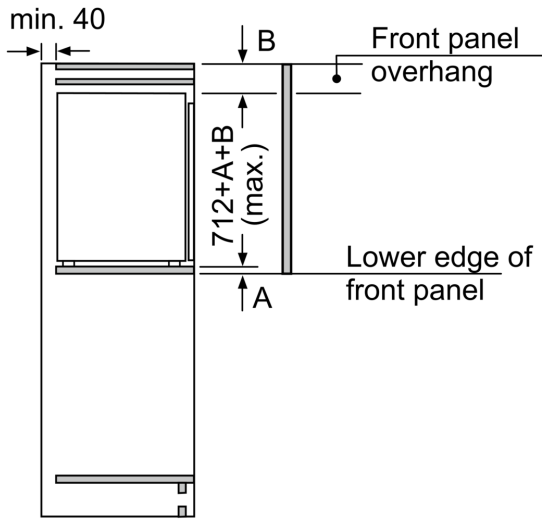
- EU19_EEK_D: E
- Total Volume : 72 l
- Net Freezer Volume : 72 l
- Net 4* compartment volume : 72 l
- Freezing capacity 24h : 4.4 kg
- Annual Energy Consumption: 167 kWh/a
- Climate Class: SN-T
- Noise Level : 36 dB , EU19_Noise emission class_D: C
- Temperature rise time : EU19_Temperature rise time_D: 13 H

N 50, BUILT-IN FREEZER, 71.2 X 55.8 CM, FLAT HINGE
G1113FE0

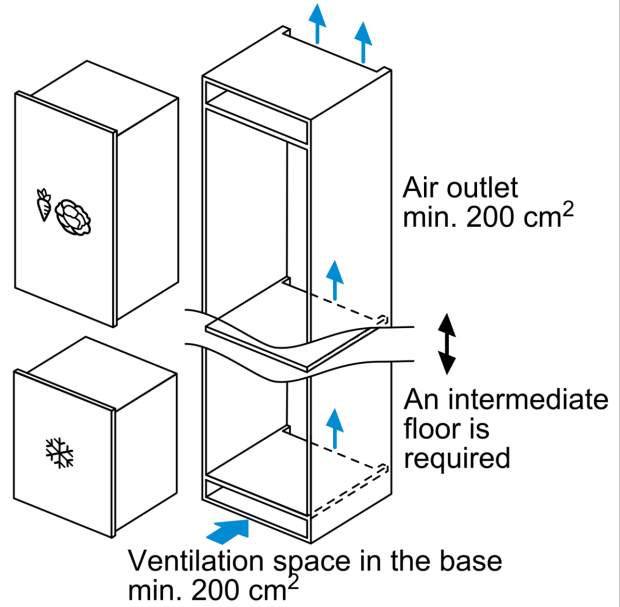
Dimensioned drawings



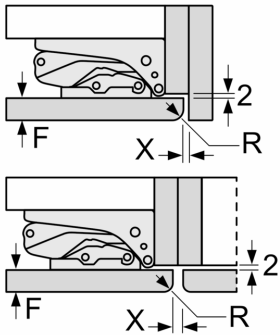
Dimensioned drawings



measurements in mm



measurements in mm
Recommended gap dimensions for flat hinges



F	R	X
16-19	0-3	2.5
20	0-1	3
	2-3	2.5
21	0-1	3
	2-3	2.5
22	0	4
	1	3.5
	2-3	3

The gap dimensions recommended in the table must be adhered to in order to ensure that appliance doors do not collide with anything when they are opened, and to avoid causing damage to kitchen units.