

N 90, BUILT-IN FREEZER, 177.2 X 55.8 CM, SOFT
CLOSE FLAT HINGE
G17815NE0



The built-in freezer with automatic defrosting thanks to NoFrost.

- ✓ Door Open Assist – Push-to-open mechanism of your fully integrated fridge
- ✓ Home Connect – Add your smart fridge to your home network and stay connected to your kitchen.
- ✓ No Frost – No more defrosting your freezer.
- ✓ Soft Close – Enjoy the silence. The door softly closes itself when at an angle of 20 degrees.
- ✓ Vario Zone – Personalise your drawers with various loading options to find the perfect fit.

Energy Efficiency Class:E
 Average annual energy consumption in kilowatt hour per year (kWh/a): 235 kWh/a
 Sum of volume of frozen compartments: 212 l
 Airborne acoustical noise emissions : 35 dB(A) re 1 pW
 Airborne acoustical noise emission class: B
 Thermometer freeze section: Digital
 Light: No
 Product category: Upright freezer
 Built-in / Free-standing: Built-in
 Door panel options: Not possible
 Frost free system: Fridge and freezer
 Height of the appliance: 1772 mm
 Width of the appliance: 558 mm
 Depth: 545 mm
 Dimensions of the packed product (HxWxD): 1840 x 610 x 640 mm
 Net weight: 67.3 kg
 Gross weight: 72.0 kg
 Connection Rating: 120 W
 Fuse protection: 10 A
 Frequency: 50 Hz
 Length electrical supply cord: 230.0 cm
 Door hinge: Left reversible
 Defrost process: Automatic
 Warning signal / malfunction: Both visual and audible
 Door lock: No
 Number of drawers/baskets (Stck): 5
 Number of freezing flaps (Stck): 2
 EAN code: 4242004269373
 Brand: Neff
 Product name / Commercial code: G17815NE0
 Product category: Upright freezer
 Included accessories: 1 x ice cube tray, 1 x Heavy-duty hinge support

1 x ice cube tray, 1 x Heavy-duty hinge support

KS0B0SZ0 Heavy-duty hinge support



N 90, BUILT-IN FREEZER, 177.2 X 55.8 CM, SOFT
CLOSE FLAT HINGE
G17815NEO

- Fixed hinge, SoftClose door - dampens door movement, for smooth and effortless closure

Performance and Consumption

- EU19_EEK_D: E
- Total Volume : 212 l
- Net Fridge Volume : 0 l
- Net Freezer Volume : 212 l
- Net 4* compartment volume : 212 l
- Freezing capacity 24h : 14 kg
- Annual Energy Consumption: 235 kWh/a
- Climate Class: SN-T
- EU19_Fast freezer facility_D
- Noise Level : 35 dB , EU19_Noise emission class_D: B
- Temperature rise time : EU19_Temperature rise time_D: 9 H

Design features

- NO_FROST_NEU_BL, never have to defrost ever again
- Fixed hinge
- 1 compressor/1 cold circuit
- SuperFreeze function with automatic deactivation
- FreshSense - constant temperature by intelligent sensor technology
- Constant temperature control by intelligent sensor technology
- Freezer malfunction warning signal: optical, acoustical

Freezer Section

- 2 freezer flaps with glass shelves
- 5 transparent freezer drawers, 2

Technical Information

- Left hinged door, reversible
- Connection value 120 W
- 220 - 240 V

Dimension and installation

- Niche Dimensions: 177.5 cm H x 56 cm W x 55 cm D
- Dimensions: 177.2 cm H x 55.8 cm W x 54.5 cm D

Accessories

- Heavy-duty hinge support, ice cube tray

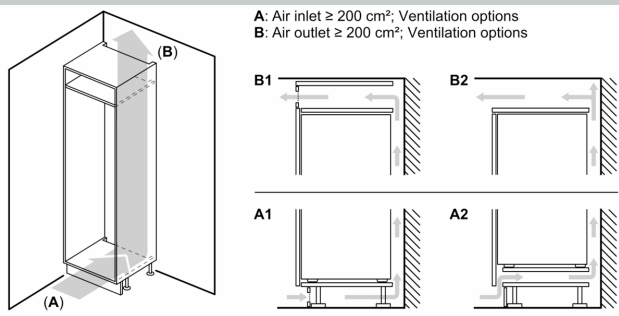
Country Specific Options

- Based on the results of the standard 24-hour test. Actual consumption depends on usage/position of the appliance.

Additional features

- Length of power cord:230 cm

N 90, BUILT-IN FREEZER, 177.2 X 55.8 CM, SOFT
CLOSE FLAT HINGE
G17815NE0



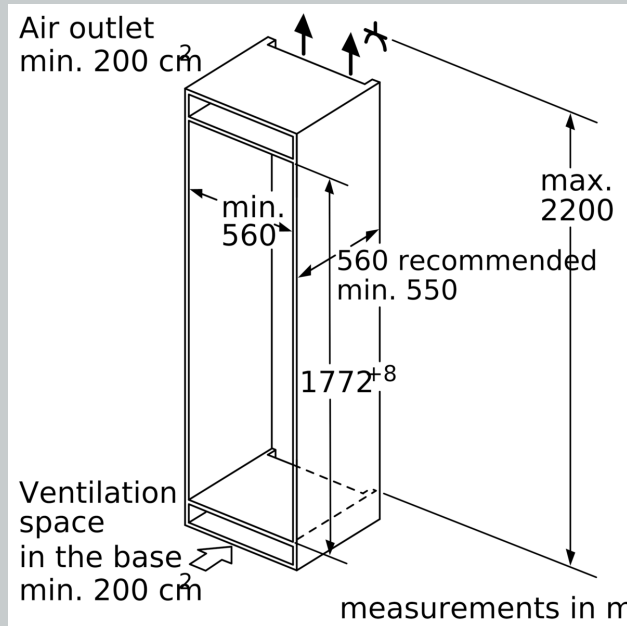
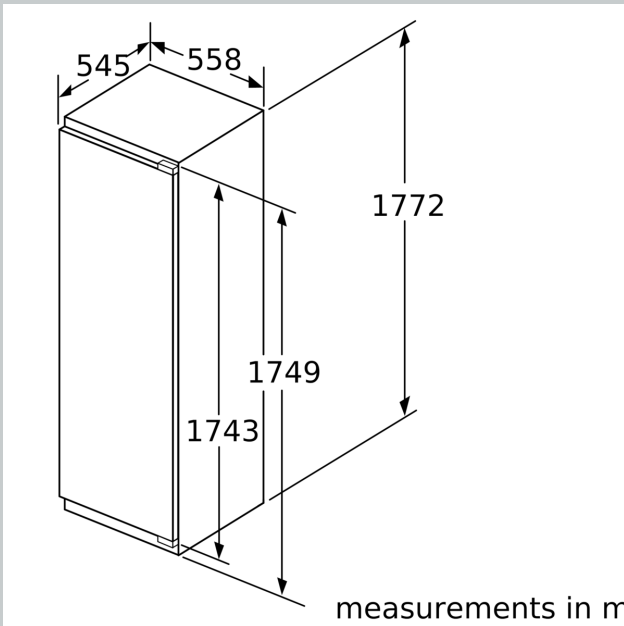
Maximal permissible weight of the unit fronts

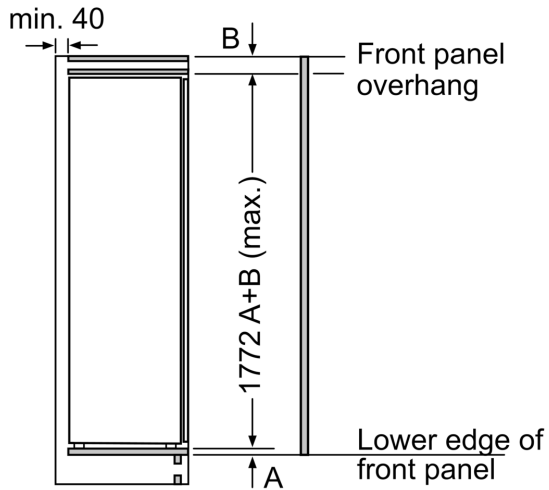
Fitted unit fronts that exceed the permissible weight may cause damage and result in functional impairment of the hinges

Δ Weight
A: Appliance door height including hinges in mm

B: Undamped hinge, unit front in kg
C: Damped hinge, unit front in kg
D: Additional possible load in kg with heavy load kit

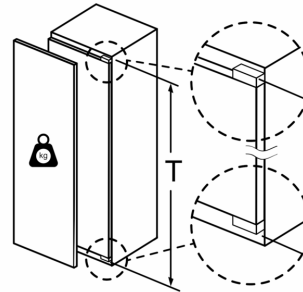
A	B	C	D
1500-1750	22	22	B+5 / C+5
720-1400	19	19	
A1	15	19	
A2	15	19	





measurements in mm

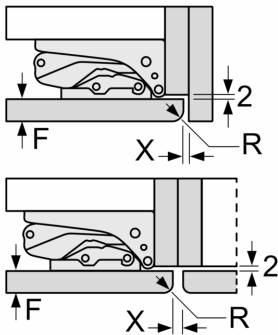
Maximal permissible weight of the unit fronts



Fitted kitchen unit doors that exceed the permissible weight may cause damage and result in functional impairment of the hinges.

T: Includes height of appliance door Hinges in mm:	undamped hinge, Door in kg:	damped hinge, Door in kg:
1500-1750	22	22

measurements in mm
Recommended gap dimensions for flat hinges



F	R	X
16-19	0-3	2.5
20	0-1	3
	2-3	2.5
21	0-1	3
	2-3	2.5
22	0	4
	1	3.5
	2-3	3

The gap dimensions recommended in the table must be adhered to in order to ensure that appliance doors do not collide with anything when they are opened, and to avoid causing damage to kitchen units.