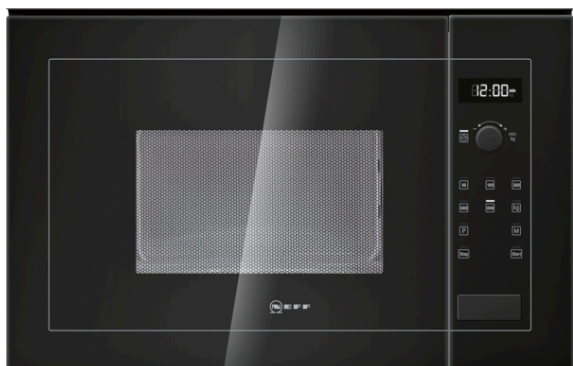


Built-in microwave oven, 60 x 38 cm, Black  
H11WE60S0G



COOKING PASSION SINCE 1877



- ✓ Side-opening hinged door - A smart twist for the elevated installation.
- ✓ Control Dials & One-Touch Buttons – select the right programme using your intuition
- ✓ LED-Display - simple, straightforward for clear reading

#### Features

##### Technical Data

Type of micro-wave oven : MW only  
Type of control : Electronic  
Color / Material Front : Black  
Dimensions : 382 x 594 x 317 mm  
Cavity dimensions : 201.0 x 308.0 x 282.0 mm  
Approval certificates : CE  
Length of electrical supply cord : 130 cm  
Net weight : 16.6 kg  
Gross weight : 18.2 kg  
EAN code : 4242004177517  
Maximum micro-wave power : 800 W  
Connection rating : 1270 W  
Fuse protection : 10 A  
Voltage : 230-240 V  
Frequency : 50 Hz  
Plug type : GB plug  
Cavity dimensions : 201.0 x 308.0 x 282.0 mm



4 242004 177517

*Built-in microwave oven, 60 x 38 cm, Black*  
H11WE60S0G



COOKING PASSION SINCE 1877

Features

**Features**

- 7 automatic programmes; Memory function
- 5 power level microwave  
90-180-360-600-800 Watts
- Maximum Microwave power level: 800 W

**Special features**

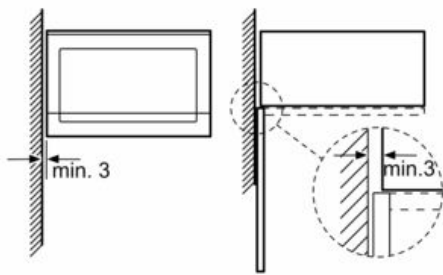
- 1 recipe memory position
- 25.5 cm Glass turntable

**Design**

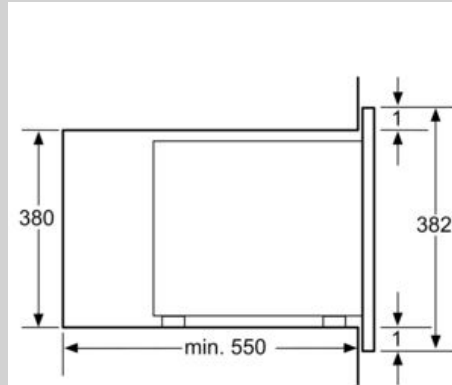
- Electronic control
- Stainless steel interior
- Open Door button
- Retractable control dials
- Silver display EasyClock
- Interior light
- Large 20 litre stainless steel interior
- Left hinged side opening door
- Frameless installation recommended for wall units, but also suitable for tall housing

Dimensioned drawings

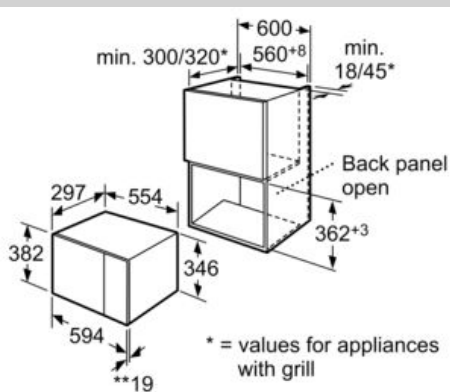
Microwave,  
corner installation



Measurements in mm

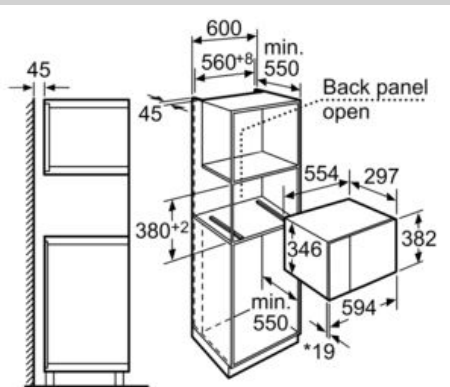


measurements in mm



\*\* 20 mm for metal fascias

measurements in mm



\* 20 mm for metal fascias

measurements in mm