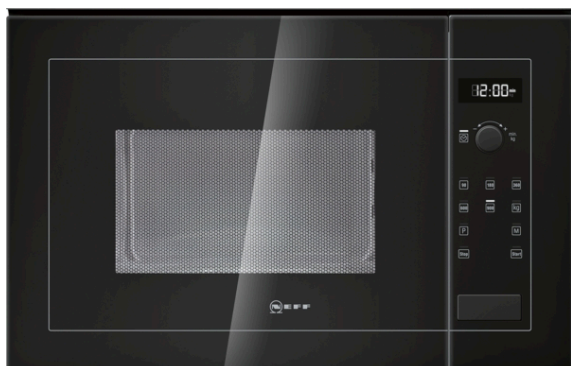


Built-in microwave oven, 59 x 38 cm, Black
H12WE60S0G



COOKING PASSION SINCE 1877



- ✓ Side-opening hinged door - A smart twist for the elevated installation.
- ✓ Control Dials & One-Touch Buttons – select the right programme using your intuition
- ✓ LED-Display - simple, straightforward for clear reading

Features

Technical Data

Type of micro-wave oven : MW only
Type of control : Electronic
Color / Material Front : Black
Dimensions : 382 x 594 x 388 mm
Cavity dimensions : 208.0 x 328.0 x 369.0 mm
Approval certificates : CE
Length of electrical supply cord : 130 cm
Net weight : 18.2 kg
Gross weight : 20.1 kg
EAN code : 4242004177562
Maximum micro-wave power : 900 W
Connection rating : 1450 W
Fuse protection : 10 A
Voltage : 230-240 V
Frequency : 50 Hz
Plug type : GB plug
Cavity dimensions : 208.0 x 328.0 x 369.0 mm



4 242004 177562

Built-in microwave oven, 59 x 38 cm, Black
H12WE60S0G



COOKING PASSION SINCE 1877

Features

Features

- 7 automatic programmes; Memory function
- 5 power level microwave
90-180-360-600-900 Watts
- Maximum Microwave power level: 900 W

Special features

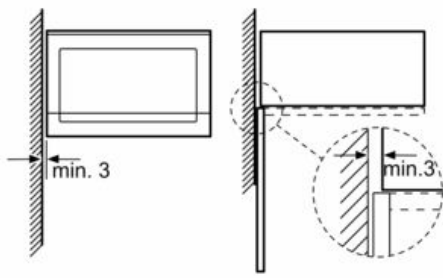
- 1 recipe memory position
- 31.5 cm Glass turntable

Design

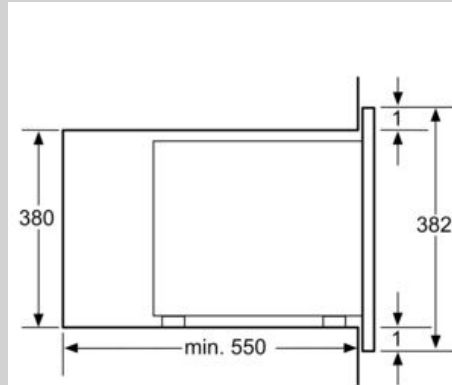
- Electronic control
- Stainless steel interior
- Open Door button
- Retractable control dials
- Silver display EasyClock
- Interior light
- Large 25 litre stainless steel interior
- Left hinged side opening door
- but also suitable for tall housing

Dimensioned drawings

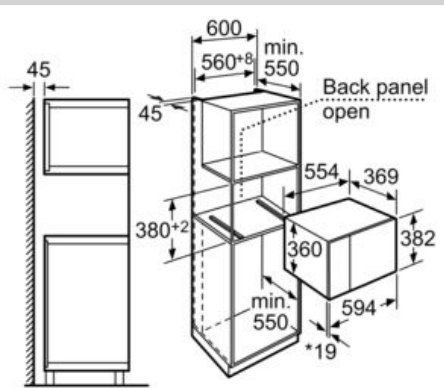
Microwave,
corner installation



Measurements in mm

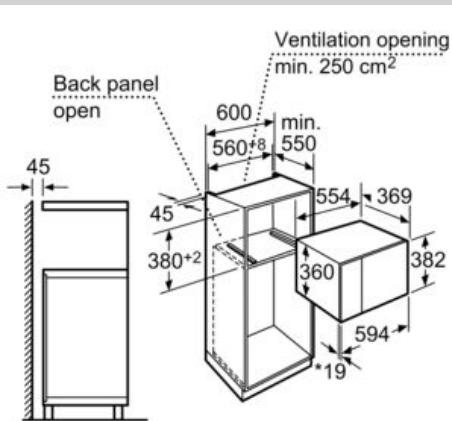


measurements in mm



* 20 mm for metal fascias

measurements in mm



* 20 mm for metal fascias

measurements in mm