

N 50, BUILT-IN MICROWAVE OVEN,
GRAPHITE-GREY
HLAWD23G0B



A must for any household - a built-in microwave designed to coordinate with N50 ovens

- ✓ Microwave - high wattage and low effort for quick meals
- ✓ Side-opening hinged door - A smart twist for the elevated installation.
- ✓ LED-Display - simple, straightforward for clear reading
- ✓ Control Dials & One-Touch Buttons - select the right programme using your intuition
- ✓ Automatic programmes - Your kitchen helper with just the right default settings.

Features

Technical Data

Type of micro-wave oven: MW only
 Type of control: Electronic
 Dimensions: 382 x 594 x 317 mm
 Cavity dimensions: 201.0 x 308.0 x 282.0 mm
 Length electrical supply cord: 130.0 cm
 Net weight: 15.9 kg
 Gross weight: 18.2 kg
 EAN code: 4242004262305
 Maximum micro-wave power: 800 W
 Connection Rating: 1270 W
 Fuse protection: 10 A
 Voltage: 230-240 V
 Frequency: 50 Hz
 Plug type: GB plug
 Included accessories: 1 x Turntable



N 50, BUILT-IN MICROWAVE OVEN,
GRAPHITE-GREY
HLAWD23GOB

Features

Design

- Graphite-Grey Edition
- LED display, white
- Electronic clock timer
- Elongated designed dials, Retractable control dials, Touch control, round, Start button
- Touch key operation
- User-friendly electronics: extremely
- easy and comfortable operation
- Left hinged door
- Cavity inner surface: stainless steel

Features

- 90-180-360-600-800 Watts and the following options 180 W, 360 W, 600 W, 800 W, 90 W
- Cavity volume: 20 l
- LED light
- 25.5 cm Glass turntable
- Open Button, electronic
- Automatic safety switch off
- Door contact switch
- Cooling fan

Cleaning

- Cleaning Assistance: hydrolyse manual

Programmes/functions

- Number of automatic programmes: 7 PC
- 4 defrost and 3 cooking programmes in microwave function
- Memory function

Accessories

- 1 x Turntable

Technical information

- 130 cm Cable length
- Total connected load electric: 1.27 KW
- Nominal voltage: 230 - 240 V
- Frameless installation recommended for wall units, but also suitable for tall housing

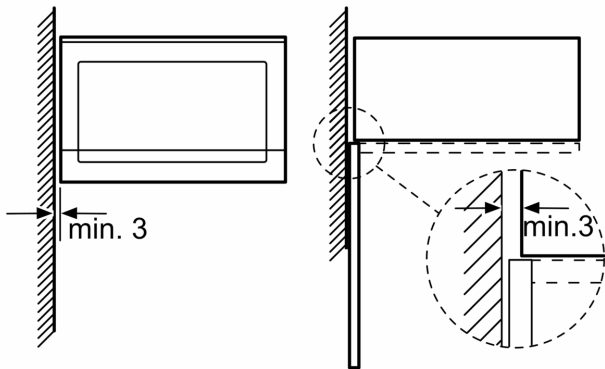
Performance/technical information

- Appliance dimension (hxwxh): 382 mm x 594 mm x 317 mm
- Niche dimension (hxwxh): 362 mm - 365 mm x 560 mm - 568 mm x 300 mm
- Please refer to the dimensions provided in the installation manual

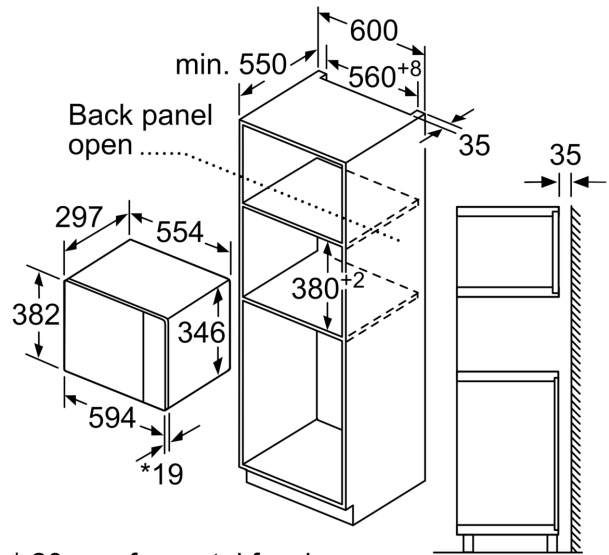
N 50, BUILT-IN MICROWAVE OVEN,
GRAPHITE-GREY
HLAWD23GOB

Dimensioned drawings

Microwave,
corner installation



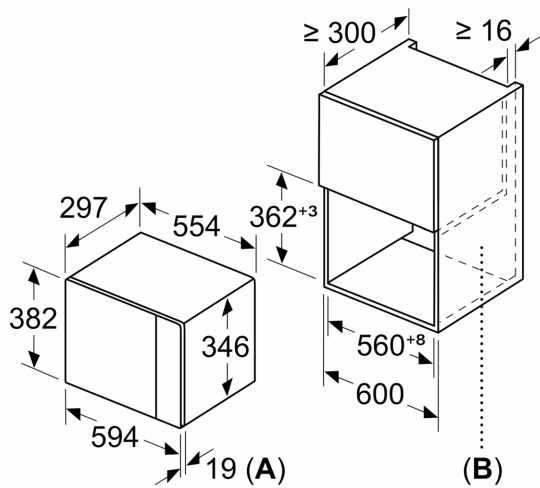
Measurements in mm



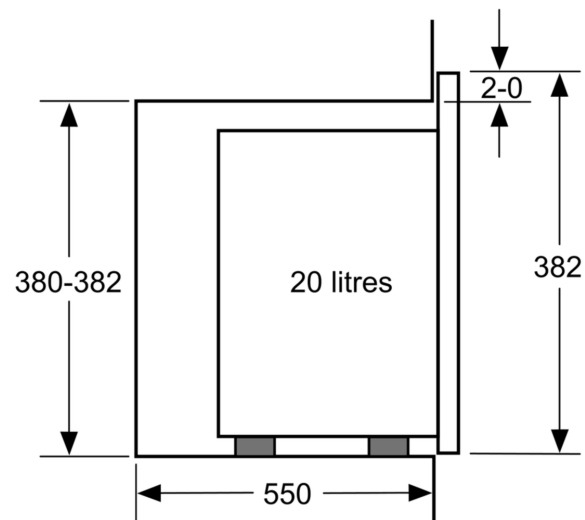
* 20 mm for metal fascia

measurements in mm

Measurements in mm



A: 20 mm for metal fascia
B: Back panel open



measurements in mm

Dimensioned drawings

