

N 70, CEILING COOKER HOOD, 105 CM, WHITE
114RBQ8W0



Optional accessories

Z52JXB1X6	Clean Air Plus odor filter (replacement)
Z52JXP0X0	Long Life odor filter (replacement)

The Plug&Play ceiling ventilation: for a simple and space-saving solution, with perfect installation in open plan kitchens.

- ✓ Cooktop-based Hood Control – Adjust your hood’s extraction level and lighting.
- ✓ Dimmer Function – dim the LED light conveniently with the button on the remote control
- ✓ Remote Control – comfortably control the ceiling hood with a remote
- ✓ Efficient Drive Motor – Quiet and energy-efficient hood motor for a calmer kitchen.
- ✓ Intensive speed setting: increases the extraction rate when the steam gets intense

Features

Technical Data

Typology:	Island/Ceiling
Length of electrical supply cord:	0.0 cm
Minimum distance above an electric hob:	650 mm
Minimum distance above a gas hob:	650 mm
Net weight:	34.9 kg
Type of control:	Electronic
Number of speed settings:	3-stage + 2 intensive
Boost position output recirculating:	484 m ³ /h
Maximum output recirculating air:	337 m ³ /h
Number of lights (Stck):	4
Grease filter material:	Washable stainless steel
EAN code:	4242004234784
Connection rating:	172 W
Voltage:	220-240 V
Frequency:	50; 60 Hz
Plug type:	no plug (electrical connection by electrician)
Installation type:	Island
Delay Shut off modes:	10 min



N 70, CEILING COOKER HOOD, 105 CM, WHITE 114RBQ8W0

Features

Special features

- Hob-Hood control (with Wi-Fi enabled hob)
- Voice Control enabled via popular voice assistants (only in countries where this service is available)
- Remote Monitoring and Control for connected home appliances and operation via smartphone or tablet (only in countries where Home Connect service is available)
- The Home Connect functionality can be extended by integrating numerous applications from external cooperation partners (partnerships)
- Adjustable color temperature (2.700 K - 5.000 K) for adaption to the room lighting available via Home Connect

Features

- 3 power levels and 2 intensive settings
- Automatic intensive revert (6mins)
- Automatic after running (Automatic after running (10 minutes))
- 4 x 3W LED lights
- softLight with dimmer function
- Silence function: available via Home Connect
- Interval operation
- 3 metal grease filter cassettes
- Saturation indicator for metal and charcoal filter

Design

- Installation: Ceiling
- Electronic controls

Performance/technical information

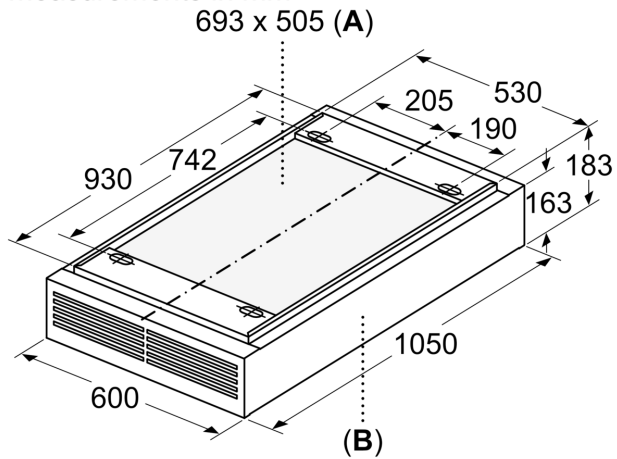
- Suitable for recirculated extraction
- For recirculated extraction charcoal filter (accessory) needed
- Max. extraction rate: 580 m³/h
- Extraction rate in recirculation mode with Clean Air Plus odor filter:
- Max. normal use: 409 m³/h
- Intensive: 580 m³/h
- Noise level in recirculation mode with Clean Air Plus odor filter :
- Max. normal use: 68 dB(A) re 1 pW
- Intensive: 76 dB(A) re 1 pW
- Power rating: 172 W
- Light Intensity: 818 lux
- Colour Temperature: 3500 K
- Electrical cable length 0 m
- Dimensions recirculating (HxWxD): 183-183 x 1050 x 600 mm
- Lighting Efficiency Class: A*

* In accordance with the EU-Regulation No 65/2014

N 70, CEILING COOKER HOOD, 105 CM, WHITE
114RBQ8W0

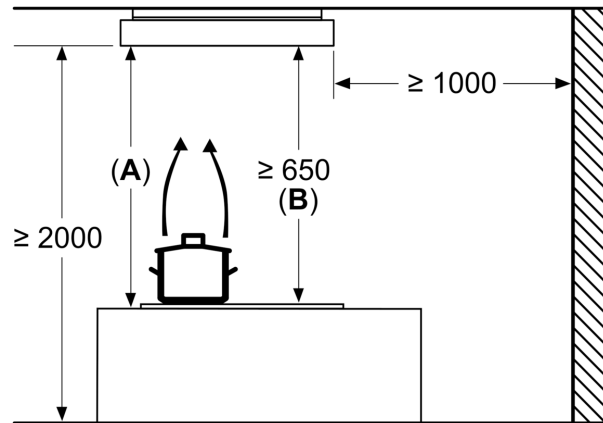
Dimensioned drawings

measurements in mm



A: Area for cable outlet on the ceiling
B: Front of appliance

measurements in mm



A: Optimum performance up to 1500 mm
B: From upper edge of pan support