

N 50, CEILING COOKER HOOD, 90 CM, STAINLESS
STEEL
I95CAP6N1B



B



Optional accessories

Z52JCB1X1	Clean Air Standard odor filter (repl.)
Z52JXC1N1	Clean Air Standard recirc. kit ext. inox
Z52JXC1W1	Clean Air Stand. recirc. kit ext. white

Specially designed motor housing for installations in between UK ceiling joists, which can save creating a bulk-head.

- ✓ Dimmer Function – dim the LED light conveniently with the button on the remote control
- ✓ Remote Control – comfortably control the ceiling hood with a remote
- ✓ Intensive speed setting: increases the extraction rate when the steam gets intense
- ✓ Interval Ventilation – automatically ventilates every hour for crisp, clean air
- ✓ Automatic After-running – ventilation continues for several minutes after you turn it off

Features

Technical Data

Typology:	Island/Ceiling
Length of electrical supply cord:	130.0 cm
Min. required niche size for installation (HxWxD):	195mm x 410.0mm x 410mm mm
Minimum distance above an electric hob:	650 mm
Minimum distance above a gas hob:	900 mm
Net weight:	17.6 kg
Type of control:	Electronic
Number of speed settings:	3-stages + intensive setting
Maximum output air extraction:	400 m ³ /h
Boost position output recirculating:	588.0 m ³ /h
Maximum output recirculating air:	423 m ³ /h
Boost position air extraction:	690 m ³ /h
Maximum Air flow:	400 m ³ /h
Number of lights (Stck):	4
Noise level:	65 dB(A) re 1 pW
Diameter of air outlet:	150 mm
Grease filter material:	Washable aluminium
EAN code:	4242004246442
Connection rating:	284 W
Fuse protection:	KSA A
Voltage:	220-240 V
Frequency:	50 Hz
Plug type:	GB plug
Installation type:	Island
Delay Shut off modes:	10 min



N 50, CEILING COOKER HOOD, 90 CM, STAINLESS
STEEL
I95CAP6N1B

Features

Key performance features:

- Energy Efficiency Class: B (at a range of energy efficiency classes from A+++ to D)
- Extraction rate according to EN 61591 \varnothing 15 cm:
- max. Normal use 400 m³/h
- Intensive 690 m³/h
- Noise max. Normal Level: Noise, max. speed in normal us: 65 dB dB*

- Dimensions exhaust air (HxWxD): 193-193 x 900 x 440 mm
- Blower Efficiency Class: B*
- Lighting Efficiency Class: A*
- Grease Filtering Efficiency Class: C*
- Average Energy Consumption: 62.6 kWh/year*

* In accordance with the EU-Regulation No 65/2014

Features

- 3 speeds plus intensive
- Automatic intensive revert (4 mins)
- softLight with dimmer function
- Interval operation
- Automatic after running (Automatic after running (10 minutes))
- Infrared remote control
- 2 metal grease filter cassettes
- Saturation indicator for metal and charcoal filter
- easy to clean Inner frame

Design

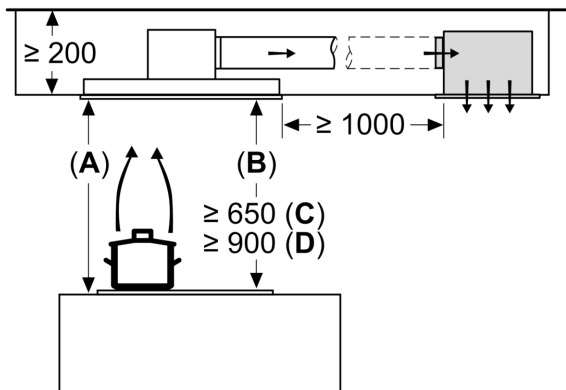
- Electronic controls
- LED display
- Rim ventilation
- metal grease filter
- Installation: Ceiling

Performance/technical information

- Suitable for ducted extraction and recirculation
- For recirculated extraction CleanAir recirculating kit (accessory) needed
- Max. extraction rate: 690 m³/h
- Noise level according to EN 60704-3 and EN 60704-2-13 at max. normal use exhaust air: 65 dB(A) re 1 pW
- Noise level according to EN 60704-3 and EN 60704-2-13 exhaust air:
- Max. normal use: 65 dB(A) re 1 pW
- Intensive: 73 dB(A) re 1 pW
- Noise level according to EN 60704-3 and EN 60704-2-13 at maximum normal setting: extraction rate: 65 dB (A) re 1 pW
- With the Clean Air Standard recirculation kit (available as optional accessory) your appliances reaches:
- Extraction rate in recirculation mode: Max. normal use: 423 m³/h
- Intensive: 588 m³/h
- Noise level in recirculation mode with Clean Air Standard odor filter : Max. normal use: 69 dB(A) re 1 pW
- Intensive: 74 dB(A) re 1 pW
- Power rating: 284 W
- Light Intensity: 366 lux
- Electrical cable length 1.3 m
- Diameter pipe \varnothing 150 mm (\varnothing 150 mm enclosed)

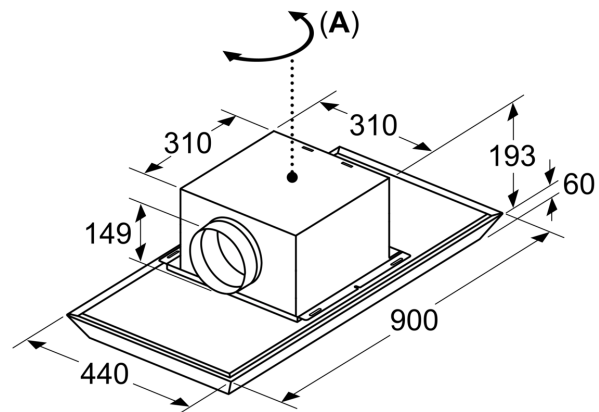
N 50, CEILING COOKER HOOD, 90 CM, STAINLESS
STEEL
195CAP6N1B

Dimensioned drawings

 measurements in mm
Circulated air


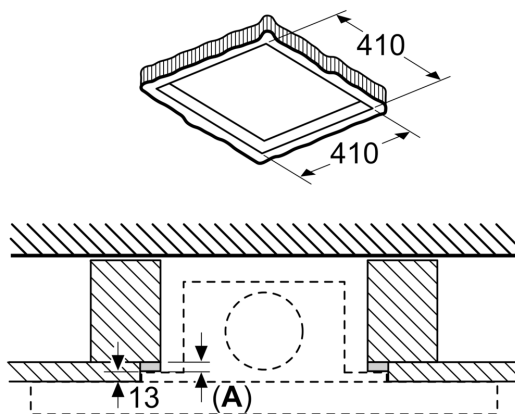
- A:** Optimum performance 700-1500
- B:** From upper edge of pan support
- C:** Electric
- D:** Gas

measurements in mm

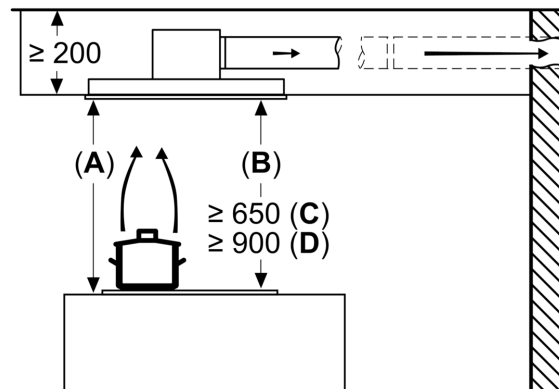


- A:** The fan outlet can be turned in all four directions

measurements in mm



- A:** If required, even out the ceiling thickness to 13 mm using wooden spacers.

 measurements in mm
Exhaust air


- A:** Optimum performance 700-1500
- B:** From upper edge of pan support
- C:** Electric
- D:** Gas