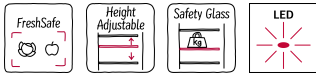


N 50, BUILT-UNDER FRIDGE, 82 X 60 CM, FLAT HINGE  
K4316XFF0G



This undercounter refrigerator keeps fruit and vegetables at their freshest

- ✓ Fresh Safe – Fridge drawer for dedicated fresh fruit and veg storage.
- ✓ Adjustable Glass Shelves – Height adjustable shelves create the space you need for inspiring dishes in your fridge
- ✓ Our safety glass shelves happily shoulder generous loads of delicacies in your fridge
- ✓ LED Light – Pleasant illumination for the entire fridge, with long-life LEDs.

Features

Technical Data

Energy Efficiency Class: ..... F  
 Average annual energy consumption in kilowatt hour per year (kWh/a): ..... 114 kWh/a  
 Sum of volume of frozen compartments: ..... 0 l  
 Sum of volume of chill compartments: ..... 137 l  
 Airborne acoustical noise emissions : ..... 38 dB(A) re 1 pW  
 Airborne acoustical noise emission class: ..... C  
 Built-in / Free-standing: ..... Built-in  
 Door panel options: ..... Possible but accessory  
 Height: ..... 820 mm  
 Width of the appliance: ..... 598 mm  
 Depth: ..... 548 mm  
 Min. required niche size for installation (HxWxD): .820 x 600 x 550 mm  
 Net weight: ..... 33.9 kg  
 Connection Rating: ..... 90 W  
 Fuse protection: ..... 13 A  
 Door hinge: ..... Right reversible  
 Voltage: ..... 220-240 V  
 Frequency: ..... 50 Hz  
 Length electrical supply cord: ..... 230.0 cm  
 Number of compressors: ..... 1  
 Number of independent cooling systems: ..... 1  
 Interior ventilator: ..... No  
 Reversible Door Hinge: ..... Yes  
 Number of Adjustable Shelves in fridge compartment: ..... 2  
 Shelves for Bottles: ..... Yes  
 EAN code: ..... 4242004239765  
 Brand: ..... Neff  
 Product name / Commercial code: ..... K4316XFF0G  
 Product category: ..... Refrigerator  
 Frost free system: ..... No  
 Installation typology: ..... Built-under  
 Included accessories: ..... 1 x egg tray

Included accessories

1 x egg tray

Optional accessories

KSGG0MZO Butter box  
 KU1213ZO Attachment door, stainless steel



N 50, BUILT-UNDER FRIDGE, 82 X 60 CM, FLAT  
HINGE  
K4316XFFOG

#### Features

- Fully integrated

#### Functions

- Ventilation through plinth
- Easy clean interior

#### Design features

- Mechanical control
- Single cooling circuit
- Automatic defrost fridge

#### Design features

- 3 safety glass shelves in fridge compartment of which 2 are height adjustable
- Full width pull out drawer
- 1 removable door storage compartments.
- Bottle holder in x-deep door tray
- Bright interior LED fridge light

#### Freshness System

- 2 vegetable/salad containers

#### Key features - Fridge section

- Height adjustable feet in the front
- Right hinged door, reversible
- Connection value 90 W
- 220 - 240 V

#### Dimension and installation

- Niche Dimensions: 82 cm H x 60 cm W x 55 cm D
- Dimensions: 82 cm H x 59.8 cm W x 54.8 cm D

#### Key features - Freezer section

- K4316XFFOG

#### Included accessories

- KSGGOMZ0, KU1213Z0

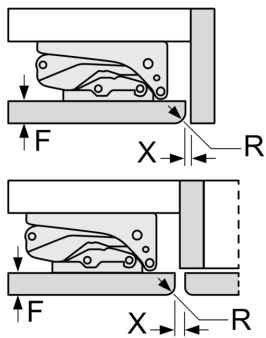
#### Performance and Consumption

- Based on the results of the standard 24-hour test. Actual consumption depends on usage/position of the appliance.
- EU19\_EEK\_D: F
- Total Volume : 137 l
- Annual Energy Consumption: 114 kWh/a
- Climate Class: SN-ST
- Noise Level : 38 dB , EU19\_Noise emission class\_D: C

N 50, BUILT-UNDER FRIDGE, 82 X 60 CM, FLAT HINGE  
K4316XFF0G

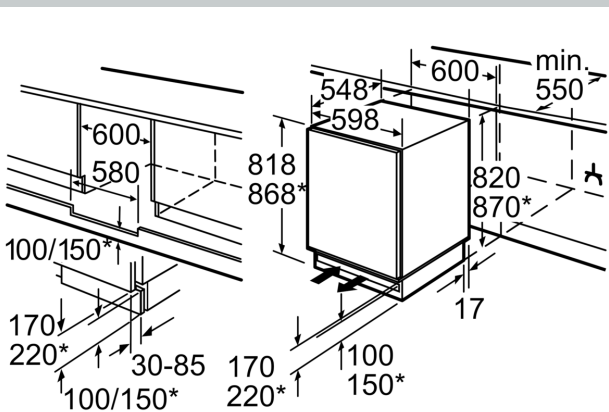
Dimensioned drawings

measurements in mm  
Recommended gap dimensions for flat hinges



F	R	X
16-19	0-3	2.5
20	0-1	3
	2-3	2.5
21	0-1	3
	2-3	2.5
22	0	4
	1	3.5
	2-3	3

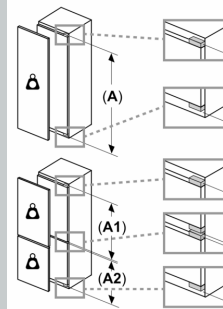
The gap dimensions recommended in the table must be adhered to in order to ensure that appliance doors do not collide with anything when they are opened, and to avoid causing damage to kitchen units.



\* variable base/substructure height

Space for electrical connection next to the appliance on the left or right-hand side.  
Ventilation space in the base.

measurements in mm



Maximal permissible weight of the unit fronts

Fitted unit fronts that exceed the permissible weight may cause damage and result in functional impairment of the hinges

Δ Weight

A: Appliance door height including hinges in mm

B: Undamped hinge, unit front in kg

C: Damped hinge, unit front in kg

D: Additional possible load in kg with heavy load kit

A	B	C	D
1500-1750	22	22	B+5 / C+5
720-1400	19	19	
A1	15	19	
A2	15	19	