

N 50, BUILT-IN FRIDGE-FREEZER WITH FREEZER AT BOTTOM, 193.5 X 69.1 CM, SLIDING HINGE KB7962SEO



KSZGGM00 Butter box

Built-in fridge freezer with flexible storage and XXL space: flexible storage all over the fridge to daily needs and big boost in fridge capacity.

- ✓ Fresh Safe 1 <math>\pm 0^{\circ}\text{C}</math>; – Ideal storage for fruit and veg, fish and meat.
- ✓ Our safety glass shelves happily shoulder generous loads of delicacies in your fridge
- ✓ Fresh Safe 1 – A flexible fridge drawer for your fruit and veg.
- ✓ Adjustable Glass Shelves – Height adjustable shelves create the space you need for inspiring dishes in your fridge
- ✓ Flex Door Storage – Extra space for your bottles.

Energy Efficiency Class: .....E  
 Average annual energy consumption in kilowatt hour per year (kWh/a): .....256 kWh/a  
 Sum of volume of frozen compartments: .....98 l  
 Sum of volume of chill compartments: .....285 l  
 Airborne acoustical noise emissions : .....34 dB(A) re 1pW  
 Airborne acoustical noise emission class: ..... B  
 Built-in / Free-standing: ..... Built-in  
 Door panel options: ..... Not possible  
 Height: ..... 1935 mm  
 Width of the appliance: ..... 691 mm  
 Depth: ..... 548 mm  
 Required niche size for installation (HxWxD): ..... 1940 x 710 x 560 mm  
 Net weight: ..... 67.4 kg  
 Fuse protection: ..... 10 A  
 Door hinge: .....Right reversible  
 Voltage: .....220-240 V  
 Frequency: ..... 50 Hz  
 Length electrical supply cord: ..... 230.0 cm  
 Number of compressors: .....1  
 Number of independent cooling systems: ..... 2  
 Interior ventilator: ..... No  
 Reversible Door Hinge: ..... Yes  
 Number of Adjustable Shelves in fridge compartment: ..... 4  
 Shelves for Bottles: .....Yes  
 Frost free system: ..... Freezer  
 Installation typology: ..... Full-integrated



*N 50, BUILT-IN FRIDGE-FREEZER WITH FREEZER  
AT BOTTOM, 193.5 X 69.1 CM, SLIDING HINGE  
KB7962SEO*

- noFrost freezer, Built-in fridge/freezer
- Sliding hinge, softClosing door: No

**Performance and Consumption**

- EU19\_EEK\_D: E
- Total Volume : 383 l
- Annual Energy Consumption: 256 kWh/a
- Noise Level : 34 dB , EU19\_Noise emission class\_D: B

**Functions**

- LED with Soft Start in fridge section
- Built-in fridge/freezer

**Design features**

- NO\_FROST\_NEU\_BL, never have to defrost ever again
- EU19\_Fast freezer facility\_D
- Heavy load hinge set
- Home Connect: Remote diagnostics, Remote Monitoring and Control
- Twin LED electronic control panel
- Two separate cooling circuits allow independent temperature control and prevents the transference of humidity between the fridge and freezer cavity
- Super Cooling: automatic deactivation
- acoustic alarm, optical and acoustical, acoustic for Fridge and Freeze
- Automatic defrost fridge

**Design features**

- Net Fridge Volume : 285 l
- 5 safety glass shelves of which 4 are height adjustable
- Door shelves in fridge door: 1 large and 3 small.
- Bottle rack

**Freshness System**

- 1 FreshSafe drawer with humidity control retains freshness for longer.

**Food freshness system**

- Net Freezer Volume : 98 l
- Freezing capacity 24h : 9.5 kg
- Temperature rise time : EU19\_Temperature rise time\_D: 12 H
- 3 freezer drawers

**Dimension and installation**

- Dimensions: 193.5 cm H x 69.1 cm W x 54.8 cm D
- Niche Dimensions: 194 cm H x 71 cm W x 56 cm D

**Key features - Fridge section**

- Right hinged door, reversible
- Height adjustable front feet
- Length of power cord:230 cm
- Climate Class: SN-ST
- 220 - 240 V

**Key features - Freezer section**

- 1 x ice cube tray

**Country Specific Options**

- Based on the results of the standard 24-hour test. Actual consumption depends on usage/position of the appliance.

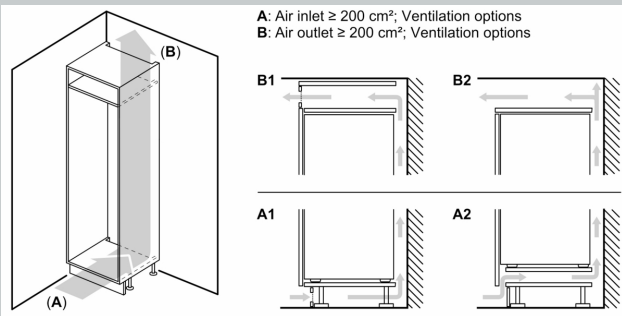
**Design features**

**Dimension and installation**

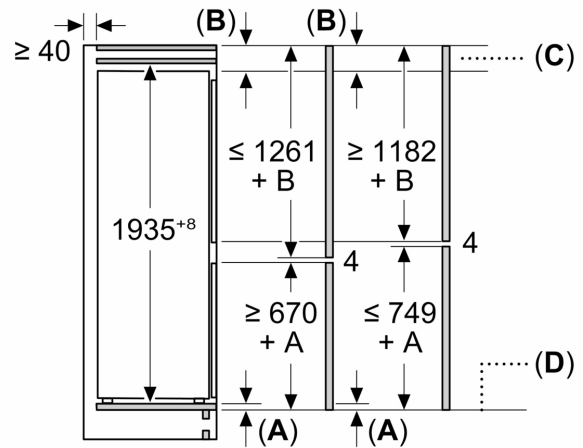
**Additional features**

- none

N 50, BUILT-IN FRIDGE-FREEZER WITH FREEZER AT BOTTOM, 193.5 X 69.1 CM, SLIDING HINGE KB7962SE0



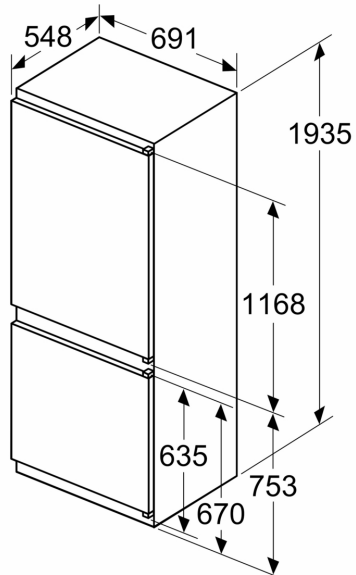
Measurements in mm



C: Front panel overhang

D: Lower edge of front panel

Measurements in mm



Measurements in mm

