

N 70, BUILT-IN FRIDGE-FREEZER WITH FREEZER AT BOTTOM, 193.5 X 70.8 CM, SOFT CLOSE FLAT HINGE
KB7966DD0



Optional accessories

KSZGGM00 Butter box

Built-in fridge freezer with flexible storage and XXL space: flexible storage all over the fridge to daily needs and big boost in fridge capacity.

- ✓ Extra Space – More capacity for flexible cooling.
- ✓ Fresh Safe 1 0°C; – Ideal storage for fruit and veg, fish and meat.
- ✓ No Frost – No more defrosting your freezer.
- ✓ Freezer Light – Bright illumination of all of your frozen items.
- ✓ Door Alarm – A handy warning to avoid left-open doors.

Features

Technical Data

Energy Efficiency Class:	D
Average annual energy consumption in kilowatt hour per year (kWh/a):	204 kWh/a
Sum of volume of frozen compartments:	98 l
Sum of volume of chill compartments:	284 l
Airborne acoustical noise emissions :	33 dB(A) re 1 pW
Airborne acoustical noise emission class:	B
Built-in / Free-standing:	Built-in
Door panel options:	Not possible
Height:	1935 mm
Width of the appliance:	708 mm
Depth:	548 mm
Min. required niche size for installation (HxWxD):	1940 x 710 x 560 mm
Net weight:	73.2 kg
Fuse protection:	10 A
Door hinge:	Right reversible
Voltage:	220-240 V
Frequency:	50 Hz
Length electrical supply cord:	230.0 cm
Number of compressors:	1
Number of independent cooling systems:	2
Interior ventilator:	Yes
Reversible Door Hinge:	Yes
Number of Adjustable Shelves in fridge compartment:	4
Shelves for Bottles:	Yes
Frost free system:	Freezer
Installation typology:	N/A



N 70, BUILT-IN FRIDGE-FREEZER WITH FREEZER
AT BOTTOM, 193.5 X 70.8 CM, SOFT CLOSE FLAT
HINGE
KB7966DD0

Features

Performance and Consumption

- EU19_EEK_D: D
- Total Volume : 381 l
- Annual Energy Consumption: 204 kWh/a
- Noise Level : 33 dB , EU19_Noise emission class_D: B

Functions

- LED with Soft Start in fridge section
- Built-in fridge/freezer

Design features

- NO_FROST_NEU_BL, never have to defrost ever again
- EU19_Fast freezer facility_D
- Home Connect: Remote diagnostics, Remote Monitoring and Control
- Twin LED electronic control panel
- Two separate cooling circuits allow independent temperature control and prevents the transference of humidity between the fridge and freezer cavity
- Super Cooling: automatic deactivation
- acoustic alarm, optical and acoustical, acoustic for Fridge and Freeze
- Automatic defrost fridge

Design features

- Net Fridge Volume : 284 l
- 5 safety glass shelves of which 4 are height adjustable
- 7 door bins
- Bottle rack

Freshness System

- 1 FreshSafe drawer with humidity control retains freshness for longer.

Food freshness system

- Net Freezer Volume : 98 l
- LED with Soft Start
- Freezing capacity 24h : 10 kg
- Temperature rise time : EU19_Temperature rise time_D: 13 H
- 3 freezer drawers

Dimension and installation

- Dimensions: 193.5 cm H x 70.8 cm W x 54.8 cm D
- Niche Dimensions: 194 cm H x 71 cm W x 56 cm D

Key features - Fridge section

- Right hinged door, reversible
- Height adjustable front feet
- Length of power cord:230 cm
- Climate Class: SN-T
- 220 - 240 V

Key features - Freezer section

- 2 x egg tray, 1 x ice cube tray

Country Specific Options

- Based on the results of the standard 24-hour test. Actual consumption depends on usage/position of the appliance.

Design features

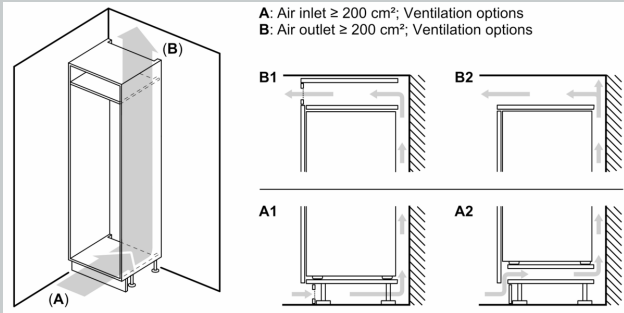
Dimension and installation

Additional features

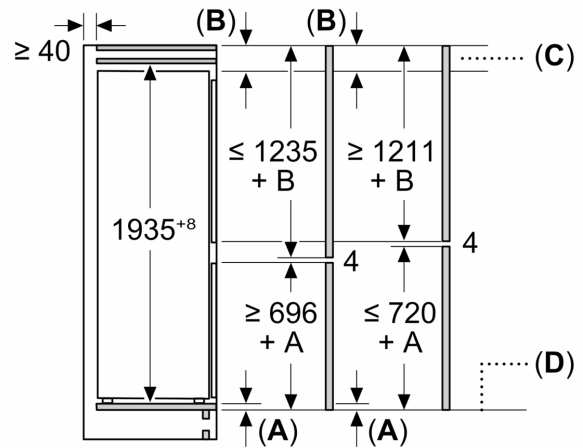
- Heavy load hinge set

N 70, BUILT-IN FRIDGE-FREEZER WITH FREEZER AT BOTTOM, 193.5 X 70.8 CM, SOFT CLOSE FLAT HINGE
KB7966DD0

Dimensioned drawings



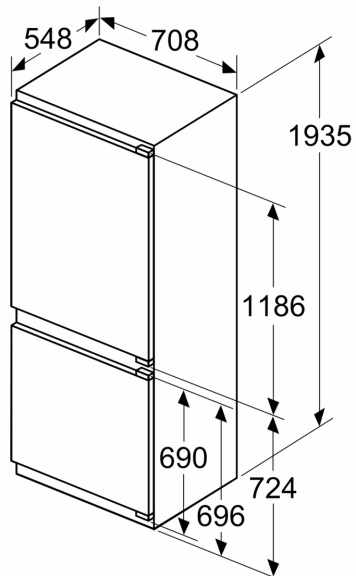
Measurements in mm



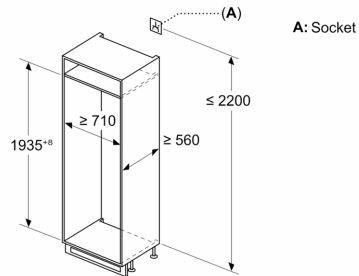
C: Front panel overhang

D: Lower edge of front panel

Measurements in mm



Measurements in mm



Dimensioned drawings

Maximal permissible weight of the unit fronts

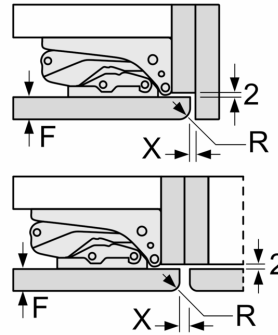
Fitted unit fronts that exceed the permissible weight may cause damage and result in functional impairment of the hinges

Δ Weight

A1	20 kg
A2	19 kg

measurements in mm

Recommended gap dimensions for flat hinges



F	R	X
16-19	0-3	2.5
20	0-1	3
	2-3	2.5
21	0-1	3
	2-3	2.5
22	0	4
	1	3.5
	2-3	3

The gap dimensions recommended in the table must be adhered to in order to ensure that appliance doors do not collide with anything when they are opened, and to avoid causing damage to kitchen units.