

N 70, BUILT-IN FRIDGE-FREEZER WITH FREEZER AT BOTTOM, 193.5 X 70.8 CM, SOFT CLOSE FLAT HINGE
KB7966DD1G



Built-in fridge freezer with flexible storage and XXL space: flexible storage all over the fridge to daily needs and big boost in fridge capacity.

- ✓ Extra Space – More capacity for flexible cooling.
- ✓ Fresh Safe 1 <0°C> – Ideal storage for fruit and veg, fish and meat.
- ✓ No Frost – No more defrosting your freezer.
- ✓ Freezer Light – Bright illumination of all of your frozen items.
- ✓ Adjustable Glass Shelves – Height adjustable shelves create the space you need for inspiring dishes in your fridge

Features

Technical Data

Energy Efficiency Class ¹ :	D
Average annual energy consumption in kilowatt hour per year (kWh/a):	204 kWh/a
Sum of volume of frozen compartments:	98 l
Sum of volume of chill compartments:	284 l
Airborne acoustical noise emissions :	33 dB(A) re 1pW
Airborne acoustical noise emission class:	B
Built-in / Free-standing:	Built-in
Door panel options:	Not possible
Height:	1935 mm
Width of the appliance:	708 mm
Depth:	548 mm
Required niche size for installation (HxWxD): ...	1940x710x560 mm
Net weight:	73.4 kg
EAN code:	4242004292432
Fuse protection:	10 A
Door hinge:	Right reversible
Voltage:	220-240 V
Frequency:	50 Hz
Length electrical supply cord:	230 cm
Number of compressors:	1
Number of independent cooling systems:	2
Interior ventilator:	Yes
Reversible Door Hinge:	Yes
Number of Adjustable Shelves in fridge compartment:	3
Shelves for Bottles:	Yes
Frost free system:	Freezer
Installation typology:	Full-integrated



¹ Scale of Energy Efficiency Classes from A to G

N 70, BUILT-IN FRIDGE-FREEZER WITH FREEZER
AT BOTTOM, 193.5 X 70.8 CM, SOFT CLOSE FLAT
HINGE
KB7966DD1G

Features

Highlights

- Dimensions: 1935x708x548 mm
- Energy Efficiency Class¹: D
- Never defrost again with Full NoFrost
- Sum of volume of chill compartments: 284 l
- Sum of volume of frozen compartments: 98 l
- Airborne acoustical noise emissions : 33 dB(A) re 1pW
- Freshness system: Fresh Safe 1
- Warning signal / malfunction: Both visual and audible

General

- Colour of appliance: N/A
- Door hinge: Right reversible
- Hinge type: soft close flat hinge
- Automatic defrosting: No Frost (Freezer)
- Type of control setting devices: Button, Via app
- Energy Efficiency Class²: D
- Average annual energy consumption in kilowatt hour per year (kWh/a): 204 kWh/a
- Sum of volume of chill compartments: 284 l
- Sum of volume of frozen compartments: 98 l
- Airborne acoustical noise emissions : 33 dB(A) re 1pW
- Airborne acoustical noise emission class: B
- Climate Class: Extended temperate, Subtropical, Temperate, tropical
- Included accessories: 1 x ice cube tray

Size and weight

- Dimensions: 1935x708x548 mm
- Dimensions of the packed product (HxWxD): 2020x770x640 mm
- Minimum height for installation: 1940 mm
- Maximum height for installation: 1940 mm
- Minimum width for installation: 710 mm
- Maximum width for installation: 710 mm
- Depth for installation: 560 mm
- Net weight: 73.4 kg
- Length electrical supply cord: 230 cm

Comfort

- Freshness system: Fresh Safe 1
- Supercooling
- superFreezing
- Type of bottle rack: 1 bottle support grid
- ecoMode
- Silence

Cooling

- Number of shelves in fridge compartment: 4
- Number of Adjustable Shelves in fridge compartment: 3
- Number of Door Bins - Refrigerator: 7

- Light Wattage - Refrigerator: LED with soft start

Freezing

- Star Rating: 4
- Storage Period in Event of Power Failure (h): 13 h
- Freezing drawers (Stck): 3
- Number of freezing flaps (Stck): 0
- No. of ice cube trays: 1

Connectivity

- Home Connect³
- Home Connect Features: iService Remote, Remote Monitoring and Control

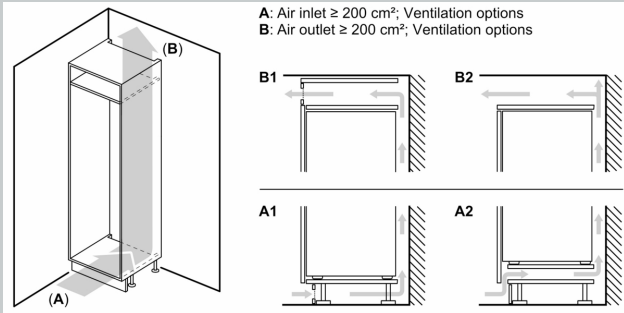
¹ Scale of Energy Efficiency Classes from A to G

² Scale of Energy Efficiency Classes from A to G

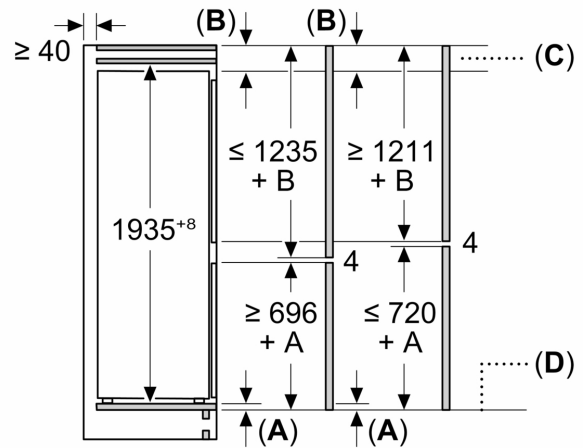
³ Some of the features displayed can be accessed only if the device is connected to a Home Connect Account and a SingleKey ID account via the Internet. Home Connect is a service of Home Connect GmbH. For more information on Home Connect, visit www.home-connect.com.

N 70, BUILT-IN FRIDGE-FREEZER WITH FREEZER AT BOTTOM, 193.5 X 70.8 CM, SOFT CLOSE FLAT HINGE
KB7966DD1G

Dimensioned drawings



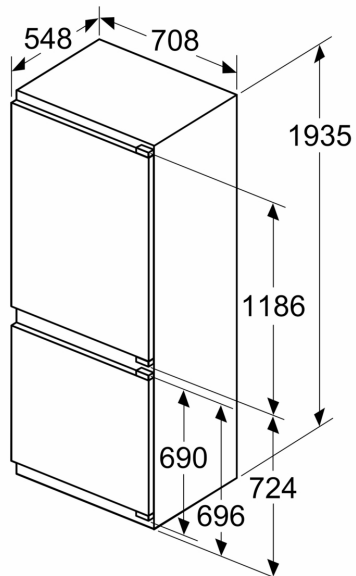
Measurements in mm



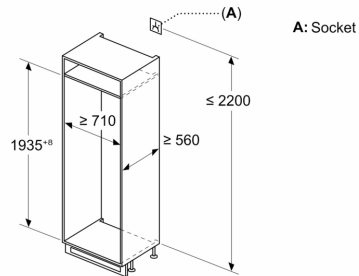
C: Front panel overhang

D: Lower edge of front panel

Measurements in mm



Measurements in mm



Dimensioned drawings

Maximal permissible weight of the unit fronts

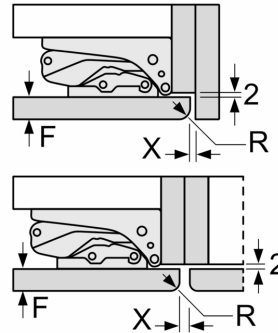
Fitted unit fronts that exceed the permissible weight may cause damage and result in functional impairment of the hinges

Δ Weight

A1	20 kg
A2	19 kg

measurements in mm

Recommended gap dimensions for flat hinges



F	R	X
16-19	0-3	2.5
20	0-1	3
	2-3	2.5
21	0-1	3
	2-3	2.5
22	0	4
	1	3.5
	2-3	3

The gap dimensions recommended in the table must be adhered to in order to ensure that appliance doors do not collide with anything when they are opened, and to avoid causing damage to kitchen units.