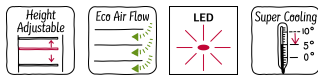


N 50, BUILT-IN FRIDGE, 88 X 56 CM, FLAT HINGE
K1212FE0G



This built-in refrigerator keeps food at its freshest thanks to the ideal air circulation Eco Air Flow and flexible storage options.

- ✓ Adjustable Glass Shelves – Height adjustable shelves create the space you need for inspiring dishes in your fridge
- ✓ Eco Air Flow – Even air circulation for constant temperatures and fast cooling.
- ✓ LED Light – Pleasant illumination for the entire fridge, with long-life LEDs.
- ✓ Super Cooling – Reduces the temperature for quick chilling, before returning to the regular setting.

Energy Efficiency Class:E
 Average annual energy consumption in kilowatt hour per year (kWh/a):92 kWh/a
 Sum of volume of frozen compartments:0 l
 Sum of volume of chill compartments:136 l
 Airborne acoustical noise emissions :35 dB(A) re 1 pW
 Airborne acoustical noise emission class:B
 Built-in / Free-standing: Built-in
 Door panel options: Possible but accessory
 Height: 874 mm
 Width of the appliance:541 mm
 Depth: 548 mm
 Min. required niche size for installation (HxWxD): .880 x 560 x 550 mm
 Net weight: 30.5 kg
 Fuse protection:10 A
 Door hinge:Right reversible
 Voltage:220-240 V
 Frequency:50 Hz
 Length electrical supply cord:230.0 cm
 Number of compressors:1
 Number of independent cooling systems:1
 Interior ventilator: No
 Reversible Door Hinge: Yes
 Number of Adjustable Shelves in fridge compartment:2
 Shelves for Bottles: No
 EAN code:4242004265771
 Brand:Neff
 Product name / Commercial code: K1212FE0G
 Product category:Refrigerator
 Frost free system:No
 Installation typology: Full-integrated
 Included accessories:3 x egg tray

3 x egg tray

KF1213S0 Door panel with decor frame
 KF1213Z0 Door panel with decor frame
 KS6B0RZ0 Bottle Rack
 KSGG0MZ0 Butter box



N 50, BUILT-IN FRIDGE, 88 X 56 CM, FLAT HINGE K11212FEOG

- Built-in fridge

Performance and Consumption

- EU19_EEK_D: E
- Total Volume : 136 l
- Net Fridge Volume : 136 l
- Net Freezer Volume : 0 l
- Annual Energy Consumption: 92 kWh/a
- Climate Class: SN-ST
- EU19_Fast freezer facility_D
- Noise Level : 35 dB , EU19_Noise emission class_D: B

Functions

- Bright interior LED fridge light in fridge section

Design features

- Electronic control (LED chain)

Design features

- 2 safety glass shelves in fridge compartment of which 2 are height adjustable
- 2 door bins
- Door shelves in fridge door: 1 large and 1 small.
- 1 removable door storage compartments.

Freshness System

- 1 FreshSafe drawer- The ideal place to store your fruit and vegetables safely.

Dimension and installation

- Dimensions: 87.4 cm H x 54.1 cm W x 54.8 cm D
- Niche Dimensions: 88 cm H x 56 cm W x 55 cm D

Key features - Fridge section

- 220 - 240 V

Key features - Freezer section

- 2 x egg tray

Country Specific Options

- Based on the results of the standard 24-hour test. Actual consumption depends on usage/position of the appliance.

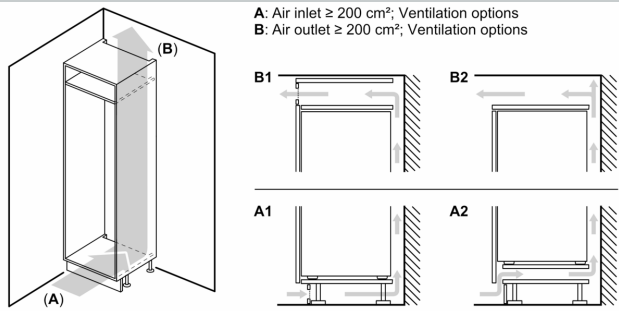
Design features

Dimension and installation

Additional features

- easy Installation
- Super Cooling: automatic deactivation
- Length of power cord: 230 cm
- integrated
- Fixed hinge
- Easy clean interior
- Single cooling circuit
- White glossy back wall
- Fixed hinge, softClosing door: No

N 50, BUILT-IN FRIDGE, 88 X 56 CM, FLAT HINGE
K11212FEOG

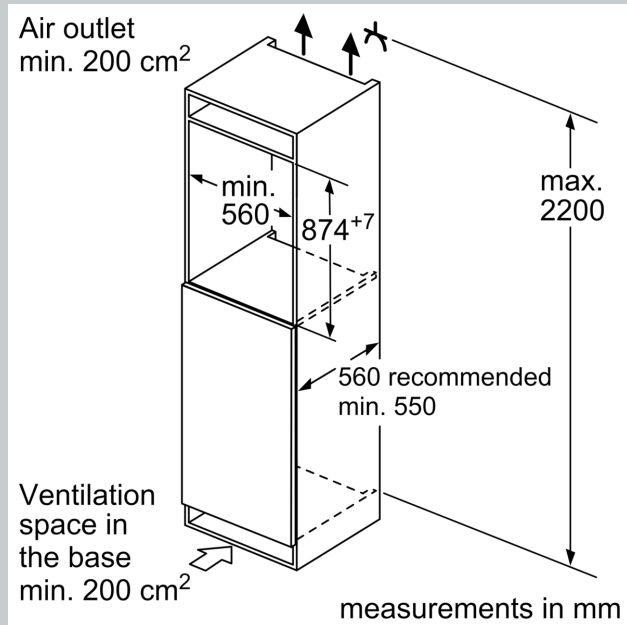
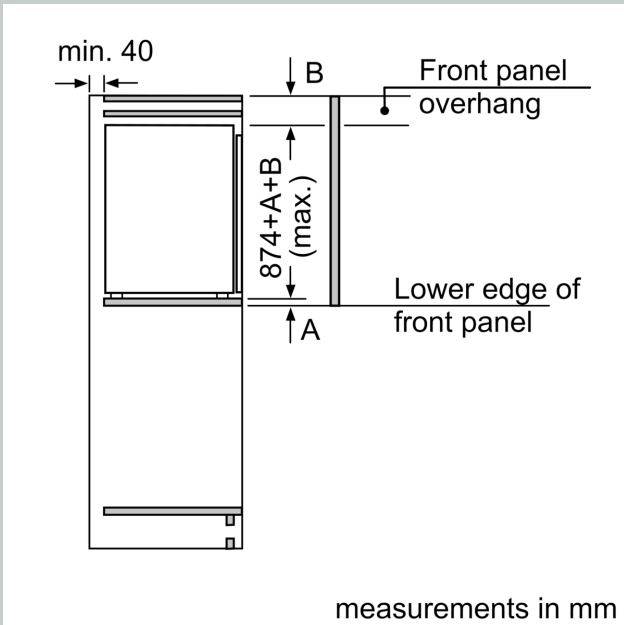


Maximal permissible weight of the unit fronts

Fitted unit fronts that exceed the permissible weight may cause damage and result in functional impairment of the hinges

A: Weight
A: Appliance door height including hinges in mm
B: Undamped hinge, unit front in kg
C: Damped hinge, unit front in kg
D: Additional possible load in kg with heavy load kit

A	B	C	D
1500-1750	22	22	B+5 / C+5
720-1400	19	19	
A1	15	19	
A2	15	19	



measurements in mm
Recommended gap dimensions for flat hinges

	F	R	X
16-19	0-3	2.5	
	20	0-1	3
21	2-3	2.5	
	0-1	3	
22	2-3	2.5	
	0	4	
	1	3.5	
	2-3	3	

The gap dimensions recommended in the table must be adhered to in order to ensure that appliance doors do not collide with anything when they are opened, and to avoid causing damage to kitchen units.