

N 30, BUILT-IN FRIDGE, 102.5 X 56 CM, SLIDING HINGE  
K11311SEO



This built-in refrigerator keeps food at its freshest thanks to the ideal air circulation Eco Air Flow.

- ✓ Adjustable Glass Shelves – Height adjustable shelves create the space you need for inspiring dishes in your fridge
- ✓ Our safety glass shelves happily shoulder generous loads of delicacies in your fridge
- ✓ Eco Air Flow – Even air circulation for constant temperatures and fast cooling.
- ✓ LED Light – Pleasant illumination for the entire fridge, with long-life LEDs.
- ✓ Super Cooling – Reduces the temperature for quick chilling, before returning to the regular setting.

Energy Efficiency Class: .....E  
 Average annual energy consumption in kilowatt hour per year (kWh/a): ..... 96 kWh/a  
 Sum of volume of frozen compartments: ..... 0 l  
 Sum of volume of chill compartments: ..... 165 l  
 Airborne acoustical noise emissions : ..... 35 dB(A) re 1 pW  
 Airborne acoustical noise emission class: ..... B  
 Built-in / Free-standing: ..... Built-in  
 Door panel options: ..... Not possible  
 Height: ..... 1021 mm  
 Width of the appliance: ..... 541 mm  
 Depth: ..... 548 mm  
 Min. required niche size for installation (HxWxD): .. 1025.0 x 560 x 550 mm  
 Net weight: ..... 32.6 kg  
 Fuse protection: ..... 10 A  
 Door hinge: ..... Right reversible  
 Voltage: ..... 220-240 V  
 Frequency: ..... 50 Hz  
 Length electrical supply cord: ..... 230.0 cm  
 Number of compressors: ..... 1  
 Number of independent cooling systems: ..... 1  
 Interior ventilator: ..... No  
 Reversible Door Hinge: ..... Yes  
 Number of Adjustable Shelves in fridge compartment: ..... 3  
 Shelves for Bottles: ..... No  
 EAN code: ..... 4242004264453  
 Brand: ..... Neff  
 Product name / Commercial code: ..... K11311SEO  
 Product category: ..... Refrigerator  
 Frost free system: ..... No  
 Installation typology: ..... Full-integrated  
 Included accessories: ..... 3 x egg tray

3 x egg tray

KS6B0RZ0 Bottle Rack  
 KSGG0MZ0 Butter box



N 30, BUILT-IN FRIDGE, 102.5 X 56 CM, SLIDING  
HINGE  
K11311SEO

- K11311SEO
- Built-in fridge
- easy Installation

**Performance and Consumption**

- EU19\_EEK\_D: E
- Total Volume : 165 l
- Net Fridge Volume : 165 l
- Annual Energy Consumption: 96 kWh/a
- Climate Class: SN-ST
- Noise Level : 35 dB , EU19\_Noise emission class\_D: B

**Functions**

- Bright interior LED fridge light in fridge section

**Design features**

- Electronic control (LED chain)
- Super Cooling: automatic deactivation

**Design features**

- 4 safety glass shelves in fridge compartment of which 3 are height adjustable
- 3 door bins

**Freshness System**

- 1 FreshSafe drawer- The ideal place to store your fruit and vegetables safely.

**Food freshness system**

**Dimension and installation**

- Dimensions: 102.1 cm H x 54.1 cm W x 54.8 cm D
- Niche Dimensions: 102.5 cm H x 56 cm W x 55 cm D

**Key features - Fridge section**

- 220 - 240 V

**Key features - Freezer section**

- 2 x egg tray

**Country Specific Options**

- Based on the results of the standard 24-hour test. Actual consumption depends on usage/position of the appliance.

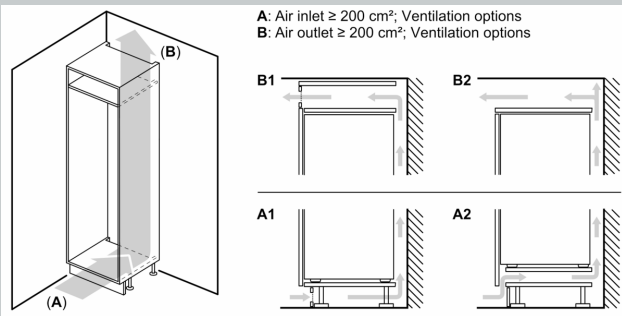
**Design features**

**Dimension and installation**

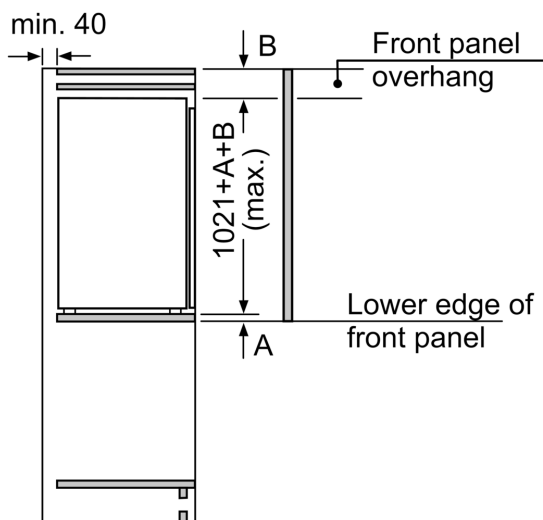
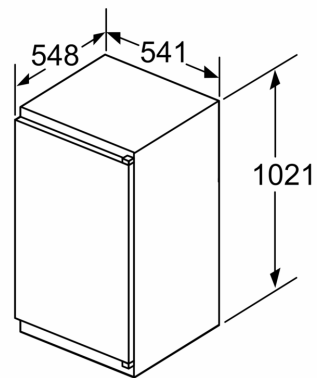
**Additional features**

- Length of power cord:230 cm

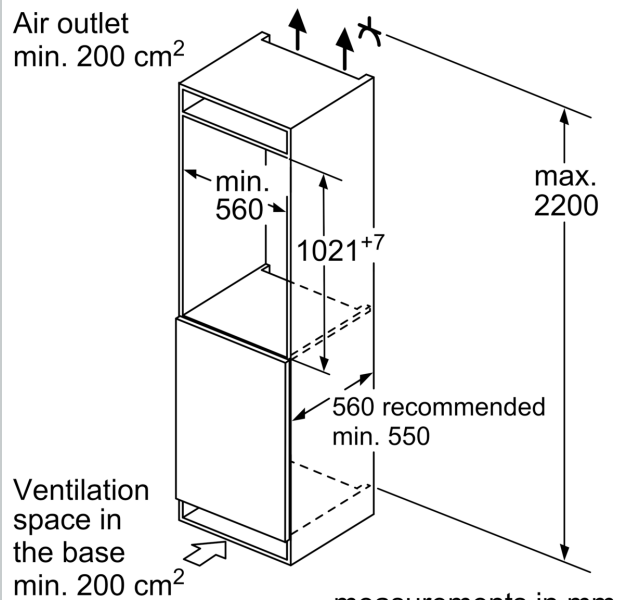
N 30, BUILT-IN FRIDGE, 102.5 X 56 CM, SLIDING HINGE  
K11311SE0



Measurements in mm



measurements in mm



measurements in mm