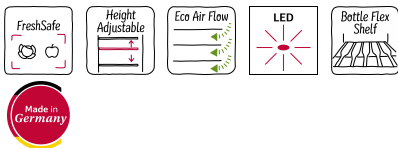


N 50, BUILT-IN FRIDGE, 122.1 X 54.1 CM, FLAT HINGE
K11412FE1G



This built-in refrigerator keeps food at its freshest thanks to the ideal air circulation Eco Air Flow and flexible storage options.

- ✓ Fresh Safe – Fridge drawer for dedicated fresh fruit and veg storage.
- ✓ Adjustable Glass Shelves – Height adjustable shelves create the space you need for inspiring dishes in your fridge
- ✓ Eco Air Flow – Even air circulation for constant temperatures and fast cooling.
- ✓ LED Light – Pleasant illumination for the entire fridge, with long-life LEDs.
- ✓ Bottle Flex Shelf – A bottle holder and shelf in one.

Features

Technical Data

Energy Efficiency Class ¹ :	E
Average annual energy consumption in kilowatt hour per year (kWh/a):	101 kWh/a
Sum of volume of frozen compartments:	0 l
Sum of volume of chill compartments:	204 l
Airborne acoustical noise emissions :	35 dB(A) re 1pW
Airborne acoustical noise emission class:	B
Built-in / Free-standing:	Built-in
Door panel options:	Not possible
Height:	1221 mm
Width of the appliance:	541 mm
Depth:	548 mm
Required niche size for installation (HxWxD): ...	1225x560x550 mm
Net weight:	39.4 kg
Fuse protection:	10 A
Door hinge:	Right reversible
Voltage:	220-240 V
Frequency:	50 Hz
Length electrical supply cord:	230 cm
Number of compressors:	1
Number of independent cooling systems:	1
Interior ventilator:	No
Reversible Door Hinge:	Yes
Number of Adjustable Shelves in fridge compartment:	4
Shelves for Bottles:	No
EAN code:	4242004292180
Brand:	Neff
Product name / Commercial code:	K11412FE1G
Product category:	Refrigerator
Frost free system:	N/A
Installation typology:	Full-integrated



¹ Scale of Energy Efficiency Classes from A to G

N 50, BUILT-IN FRIDGE, 122.1 X 54.1 CM, FLAT HINGE KI1412FE1G

Features

- KI1412FE1G
- Fixed hinge, softClosing door: No

Performance and Consumption

- EU19_EEK_D: E
- Total Volume : 204 l
- Annual Energy Consumption: 101 kWh/a
- Climate Class: SN-ST
- Noise Level : 35 dB , EU19_Noise emission class_D: B

Functions

- Fully integrated
- Fixed hinge
- Bright interior LED fridge light in fridge section
- Easy clean interior

Design features

- Electronic control (LED chain)
- Automatic defrost fridge

Design features

- Net Fridge Volume : 204 l
- 5 safety glass shelves (4 height adjustable)
- BottleFlex Shelf
- 4 door bins

Freshness System

- 1 FreshSafe drawer- The ideal place to store your fruit and vegetables safely.

Dimension and installation

- Niche Dimensions: 122.5 cm H x 56 cm W x 55 cm D
- Dimensions: 122.1 cm H x 54.1 cm W x 54.8 cm D

Key features - Fridge section

- Right hinged door, reversible
- Length of power cord:230 cm
- 220 - 240 V

Key features - Freezer section

- KI1412FE1G

Country Specific Options

- Based on the results of the standard 24-hour test. Actual consumption depends on usage/position of the appliance.

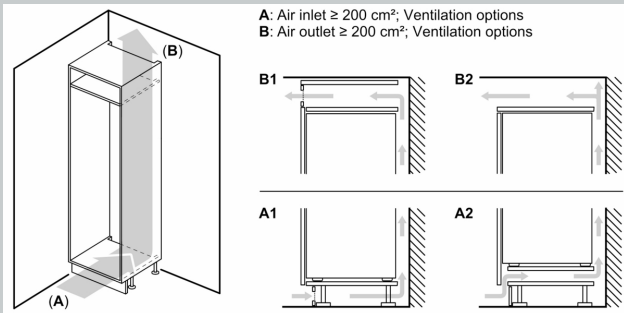
Design features

Dimension and installation

Additional features

N 50, BUILT-IN FRIDGE, 122.1 X 54.1 CM, FLAT HINGE
K17412FE1G

Dimensioned drawings



Maximal permissible weight of the unit fronts

Fitted unit fronts that exceed the permissible weight may cause damage and result in functional impairment of the hinges

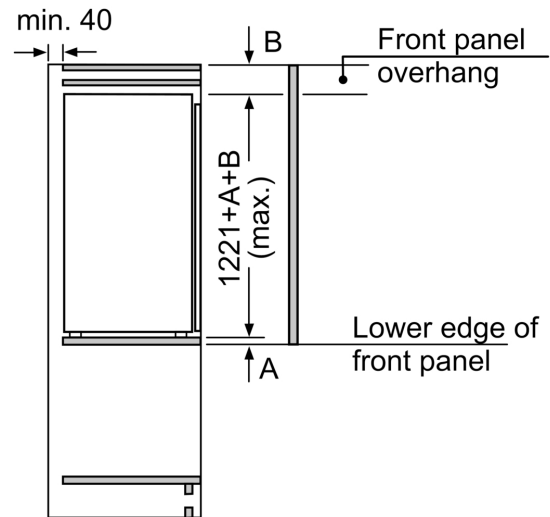
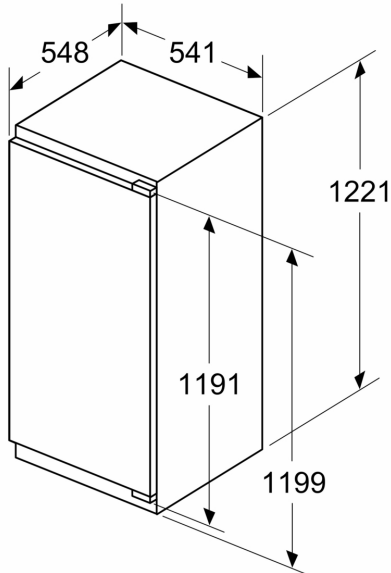
Δ : Weight
A: Appliance door height including hinges in mm

B: Undamped hinge, unit front in kg
C: Damped hinge, unit front in kg

D: Additional possible load in kg with heavy load kit

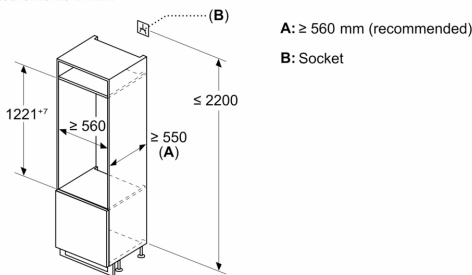
A	B	C	D
1500-1750	22	22	
720-1400	19	19	B+5 / C+5
A1	15	19	
A2	15	19	

Measurements in mm



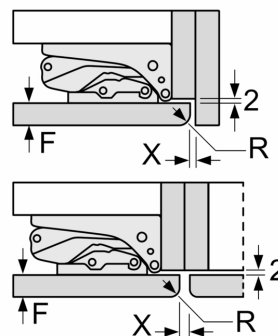
measurements in mm

Measurements in mm



measurements in mm

Recommended gap dimensions for flat hinges



F	R	X
16-19	0-3	2.5
20	0-1	3
	2-3	2.5
21	0-1	3
	2-3	2.5
22	0	4
	1	3.5
	2-3	3

The gap dimensions recommended in the table must be adhered to in order to ensure that appliance doors do not collide with anything when they are opened, and to avoid causing damage to kitchen units.