

N 70, Built-in fridge, 122.5 x 56 cm
KI1413F30G



COOKING PASSION SINCE 1877



A++



This built-in refrigerator keeps fruit and vegetables fresher for longer.

- ✓ Fresh Safe 2 $0^{\circ}\text{C}>$ – Ideal storage for fruit and vegetables, fish and meat.
- ✓ Easy Access Shelf – Slides out to give you better access to fridge contents.
- ✓ VarioShelf: The glass shelf can be divided and one half pushed beneath the other, for flexible interior configurations.
- ✓ Adjustable Glass Shelves – Height adjustable shelves create the space you need for inspiring dishes in your fridge
- ✓ Our safety glass shelves happily shoulder generous loads of delicacies in your fridge

Features

Technical Data

Construction type : Built-in
 Door panel options : Possible but accessory
 Height : 1221 mm
 Width of the appliance : 558 mm
 Depth of the product : 545 mm
 Required niche size for installation (HxWxD) : 1225.0 x 560 x 550 mm
 Net weight : 49.042 kg
 Connection rating : 90 W
 Fuse protection : 13 A
 Door hinge : Right reversible
 Voltage : 220-240 V
 Frequency : 50 Hz
 Approval certificates : CE, VDE
 Length of electrical supply cord : 230 cm
 Number of compressors : 1
 Number of independent cooling systems : 1
 Interior ventilator : No
 Reversible Door Hinge : Yes
 Number of Adjustable Shelves in fridge compartment (Stck) : 5
 Shelves for Bottles : No
 EAN code : 4242004165989
 Brand : Neff
 Product name / Commercial code : KI1413F30G
 Product category : Refrigerator
 Energy consumption annual - NEW (2010/30/EC) : 105.00 kWh/annum
 Refrigerator Net capacity - NEW (2010/30/EC) : 211 l
 Freezer Net capacity - NEW (2010/30/EC) : 0 l
 Frost free system : No
 Freezing capacity) - NEW (2010/30/EC) : 0 kg/24h
 Noise level : 33 dB(A) re 1 pW
 Climate class : SN-T
 Installation type : Full-integrated

Optional accessories

Z10020 Bottle Rack



Features

Performance and Consumption

- Energy consumption: 105 kWh kWh/yr.
- Total net capacity: 211 l litres
- Noise level dB(A) re 1 pW: 33

Design features

- LED Electronic control
- Right hinged door, reversible

Food freshness system

- FreshSense - constant temperature by intelligent sensor technology - Constant temperature control by intelligent sensor technology
- Single cooling circuit

Key features - Fridge section

- 1 FreshSafe 2 drawer; High humidity retains nutrients up to twice as long
- Bright interior LED fridge light
- Super Cooling: automatic deactivation
- Acoustic door open warning indicator
- 6 safety glass shelves (5 height adjustable)
- 4 door trays, including 1x dairy compartment
- Interior design with metal applications
- 2 x egg tray

Dimension and installation

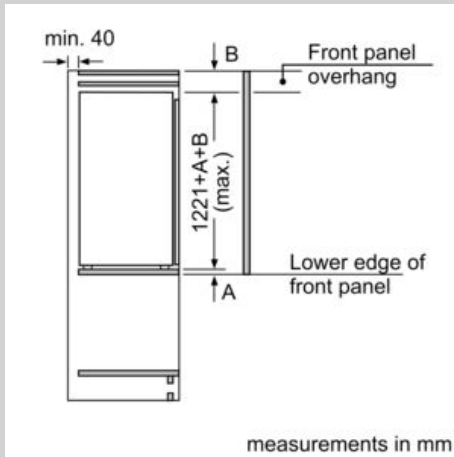
- Easy Installation
- Connection value 90 W
- Dimensions: 122.1 cm H x 55.8 cm W x 54.5 cm D
- Niche Dimensions: 122.5 cm H x 56 cm W x 55 cm D
- Climate class SN-T (suitable for ambient temperatures between 10 to 43°C)
- Based on the results of the standard 24-hour test. Actual consumption depends on usage/position of the appliance.

N 70, Built-in fridge, 122.5 x 56 cm
K11413F30G

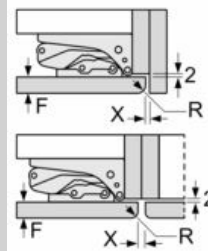


COOKING PASSION SINCE 1877

Dimensioned drawings



measurements in mm
Recommended gap dimensions for flat hinges



F	R	X
16-19	0-3	2.5
20	0-1	3
	2-3	2.5
21	0-1	3
	2-3	2.5
22	0	4
	1	3.5
	2-3	3

The gap dimensions recommended in the table must be adhered to in order to ensure that appliance doors do not collide with anything when they are opened, and to avoid causing damage to kitchen units.

