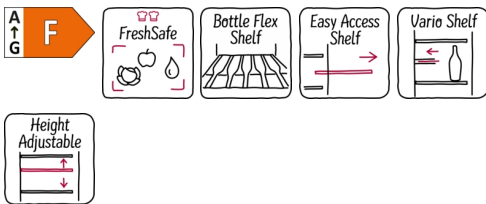


N 70, Built-in fridge, 122.5 x 56 cm, flat hinge  
KI1413FF0G



COOKING PASSION SINCE 1877



This built-in refrigerator keeps fruit and vegetables fresher for longer.

- ✓ Fresh Safe 2 <0°C> – Ideal storage for fruit and vegetables, fish and meat.
- ✓ Bottle Flex Shelf – The bottle holder and shelf in one.
- ✓ Easy Access Shelf – Slides out to give you better access to fridge contents.
- ✓ VarioShelf: The glass shelf can be divided and one half pushed beneath the other, for flexible interior configurations.
- ✓ Adjustable Glass Shelves – Height adjustable shelves create the space you need for inspiring dishes in your fridge

#### Features

##### Technical Data

Energy Efficiency Class : F  
 Average annual energy consumption in kilowatt hour per year (kWh/a) : 123 kWh/a  
 Sum of volume of frozen compartments : 0 l  
 Sum of volume of chill compartments : 211 l  
 Airborne acoustical noise emissions : 33 dB(A) re 1 pW  
 Airborne acoustical noise emission class : B  
 Construction type : Built-in  
 Door panel options : Possible but accessory  
 Height : 1221 mm  
 Width of the appliance : 558 mm  
 Depth of the product : 550 mm  
 Min. required niche size for installation (HxWxD) : 1225.0 x 560 x 550 mm  
 Net weight : 43.7 kg  
 Connection rating : 90 W  
 Fuse protection : 13 A  
 Door hinge : Right reversible  
 Voltage : 220-240 V  
 Frequency : 50 Hz  
 Length of electrical supply cord : 230.0 cm  
 Number of compressors : 1  
 Number of independent cooling systems : 1  
 Interior ventilator : No  
 Reversible Door Hinge : Yes  
 Number of Adjustable Shelves in fridge compartment (Stck) : 4  
 Shelves for Bottles : No  
 EAN code : 4242004264378  
 Brand : Neff  
 Product name / Commercial code : KI1413FF0G  
 Product category : Refrigerator  
 Frost free system : No  
 Installation type : Full-integrated  
 Included accessories : 3 x egg tray

#### Optional accessories

Z10020 Bottle Rack



4 242004 264378

N 70, Built-in fridge, 122.5 x 56 cm, flat hinge  
KI1413FF0G



COOKING PASSION SINCE 1877

## Features

- Easy Installation

### Performance and Consumption

- EU19\_EEK\_D: F
- Total Volume : 211 l
- Net Fridge Volume : 211 l
- Net Freezer Volume : 0 l
- Annual Energy Consumption: 123 kWh/a
- Climate Class: SN-ST
- EU19\_Fast freezer facility\_D
- Noise Level : 33 dB , EU19\_Noise emission class\_D: B

### Functions

- Bright interior LED fridge light

### Design features

- Touchcontrol- Electronic - LED Electronic control
- FreshSense - constant temperature by intelligent sensor technology - Constant temperature control by intelligent sensor technology
- Automatic defrost fridge
- Super Cooling: automatic deactivation
- Acoustic door open warning indicator

### Design features

- 6 safety glass shelves (4 height adjustable)
- 4 door trays, including 1x dairy compartment
- bottle holder in door tray

### Freshness System

- 1 FreshSafe 2 drawer; High humidity retains nutrients up to twice as long

### Dimension and installation

- Dimensions: 122.1 cm H x 55.8 cm W x 54.5 cm D
- Niche Dimensions: 122.5 cm H x 56 cm W x 55 cm D

### Key features - Fridge section

- Right hinged door, reversible
- Connection value 90 W
- 220 - 240 V

### Key features - Freezer section

- KI1413FF0G

### Included accessories

- KF1413S0, KF1413Z0, KSGG0MZ0, Z10020

### Country Specific Options

- Based on the results of the standard 24-hour test. Actual consumption depends on usage/position of the appliance.

### Design features

### Dimension and installation

### Additional features

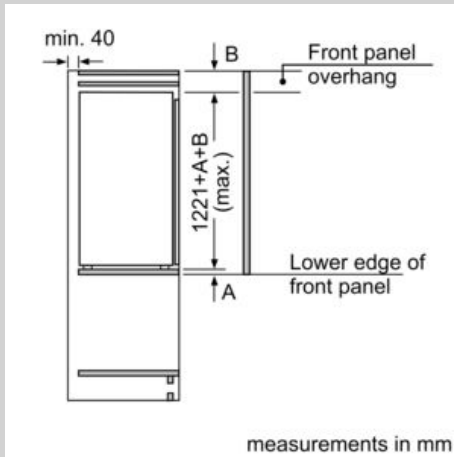
- 3 egg trays
- Easy access shelf - easy access and everything in sight
- Vario shelf - useful storage when required
- BottleFlex Shelf

N 70, Built-in fridge, 122.5 x 56 cm, flat hinge  
K11413FF0G

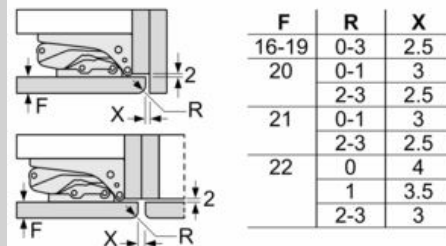


COOKING PASSION SINCE 1877

Dimensioned drawings



measurements in mm  
Recommended gap dimensions for flat hinges



The gap dimensions recommended in the table must be adhered to in order to ensure that appliance doors do not collide with anything when they are opened, and to avoid causing damage to kitchen units.

