

N 70, Built-in fridge, 140 x 56 cm
KI1513F30G



COOKING PASSION SINCE 1877



A++



This built-in refrigerator with EasyAccess Shelf and many other convenient features keeps foods fresh up to 2x longer.

- ✓ Fresh Safe 2 <0°C> – Ideal storage for fruit and vegetables, fish and meat.
- ✓ Easy Access Shelf – Slides out to give you better access to fridge contents.
- ✓ VarioShelf: The glass shelf can be divided and one half pushed beneath the other, for flexible interior configurations.
- ✓ Adjustable Glass Shelves – Height adjustable shelves create the space you need for inspiring dishes in your fridge
- ✓ Our safety glass shelves happily shoulder generous loads of delicacies in your fridge

Features

Technical Data

Construction type : Built-in
Door panel options : Not possible
Height : 1397 mm
Width of the appliance : 558 mm
Depth of the product : 545 mm
Required niche size for installation (HxWxD) : 1400 x 560 x 550 mm
Net weight : 51.629 kg
Connection rating : 90 W
Fuse protection : 13 A
Door hinge : Right reversible
Voltage : 220-240 V
Frequency : 50 Hz
Approval certificates : CE, VDE
Length of electrical supply cord : 230 cm
Number of compressors : 1
Number of independent cooling systems : 1
Interior ventilator : No
Reversible Door Hinge : Yes
Number of Adjustable Shelves in fridge compartment (Stck) : 5
Shelves for Bottles : No
EAN code : 4242004202561
Brand : Neff
Product name / Commercial code : KI1513F30G
Product category : Refrigerator
Energy consumption annual - NEW (2010/30/EC) : 109.00 kWh/annum
Refrigerator Net capacity - NEW (2010/30/EC) : 247 l
Freezer Net capacity - NEW (2010/30/EC) : 0 l
Frost free system : No
Freezing capacity) - NEW (2010/30/EC) : 0 kg/24h
Noise level : 33 dB(A) re 1 pW
Climate class : SN-T
Installation type : Full-integrated



4 242004 202561

N 70, Built-in fridge, 140 x 56 cm
KI1513F30G



COOKING PASSION SINCE 1877

Features

Performance and Consumption

- Energy Efficiency Class: A++
- Energy consumption: 109 kWh kWh/yr.
- Total net capacity: 247 l litres
- Net fridge capacity: 247 litres
- Noise level dB(A) re 1 pW: 33

Design features

- LED Electronic control
- Right hinged door, reversible

Food freshness system

- FreshSense - constant temperature by intelligent sensor technology - Constant temperature control by intelligent sensor technology
- Single cooling circuit

Key features - Fridge section

- 1 FreshSafe 2 drawer; High humidity retains nutrients up to twice as long
- Bright interior LED fridge light
- Super Cooling: automatic deactivation
- Acoustic door open warning indicator
- 6 safety glass shelves (5 height adjustable)
- 5 door trays, including 1x dairy compartment
- 2 x egg tray

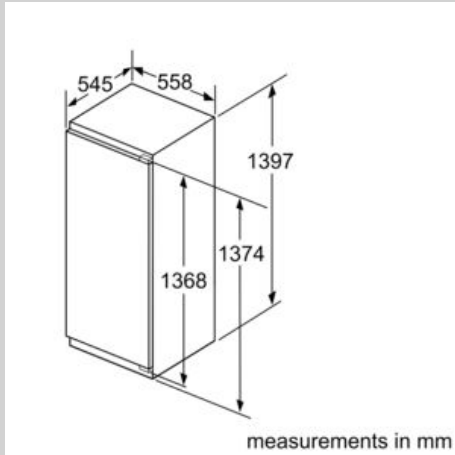
Functions

Dimension and installation

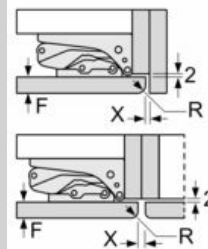
- Easy Installation
- Connection value 90 W
- Dimensions: 139.7 cm H x 55.8 cm W x 54.5 cm D
- Niche Dimensions: 140 cm H x 56 cm W x 55 cm D
- Climate class SN-T (suitable for ambient temperatures between 10 to 43°C)
- Based on the results of the standard 24-hour test. Actual consumption depends on usage/position of the appliance.

N 70, Built-in fridge, 140 x 56 cm
K11513F30G

Dimensioned drawings



measurements in mm
Recommended gap dimensions for flat hinges



F	R	X
16-19	0-3	2.5
20	0-1	3
	2-3	2.5
21	0-1	3
	2-3	2.5
22	0	4
	1	3.5
	2-3	3

The gap dimensions recommended in the table must be adhered to in order to ensure that appliance doors do not collide with anything when they are opened, and to avoid causing damage to kitchen units.

