

N 50, BUILT-IN FRIDGE, 177.5 X 56 CM, SLIDING HINGE  
K11812SFOG



The built-in refrigerator with pleasant LED interior lighting for perfect storage of your fruit and vegetables.

- ✓ Fresh Safe – Fridge drawer for dedicated fresh fruit and veg storage.
- ✓ Adjustable Glass Shelves – Height adjustable shelves create the space you need for inspiring dishes in your fridge
- ✓ Our safety glass shelves happily shoulder generous loads of delicacies in your fridge
- ✓ LED Light – Pleasant illumination for the entire fridge, with long-life LEDs.
- ✓ Super Cooling – Reduces the temperature for quick chilling, before returning to the regular setting.

Energy Efficiency Class:	.....F
Average annual energy consumption in kilowatt hour per year (kWh/a):	..... 144 kWh/a
Sum of volume of frozen compartments:	..... 0 l
Sum of volume of chill compartments:	..... 319 l
Airborne acoustical noise emissions :	..... 37 dB(A) re 1pW
Airborne acoustical noise emission class:	..... C
Built-in / Free-standing:	..... Built-in
Door panel options:	..... Not possible
Height:	..... 1772 mm
Width of the appliance:	..... 541 mm
Depth:	..... 545 mm
Required niche size for installation (HxWxD):	.. 1775.0 x 560 x 550 mm
Net weight:	..... 59.2 kg
Connection Rating:	..... 90 W
Fuse protection:	..... 13 A
Door hinge:	..... Right reversible
Voltage:	..... 220-240 V
Frequency:	..... 50 Hz
Length electrical supply cord:	..... 230.0 cm
Number of compressors:	..... 1
Number of independent cooling systems:	..... 1
Interior ventilator:	..... No
Reversible Door Hinge:	..... Yes
Number of Adjustable Shelves in fridge compartment:	..... 6
Shelves for Bottles:	..... No
EAN code:	..... 4242004247210
Brand:	..... Neff
Product name / Commercial code:	..... K11812SFOG
Product category:	..... Refrigerator
Frost free system:	..... No
Installation typology:	..... Full-integrated
Included accessories:	..... 2 x egg tray

2 x egg tray

KS10Z020    Bottle Rack  
KS9E0FZ0    Package Neff FlexCooling  
KSGG0MZ0    Butter box



N 50, BUILT-IN FRIDGE, 177.5 X 56 CM, SLIDING  
HINGE  
K11812SFOG

#### Functions

- Bright interior LED fridge light

#### Design features

- Electronic control (LED chain)
- FreshSense - constant temperature by intelligent sensor technology  
- Constant temperature control by intelligent sensor technology
- Automatic defrost fridge
- Super Cooling: automatic deactivation

#### Design features

- 7 safety glass shelves of which 6 are height adjustable
- 6 door bins

#### Freshness System

- 2 vegetable/salad containers

#### Performance and Consumption

##### Dimension and installation

- Dimensions: 177.2 cm H x 54.1 cm W x 54.5 cm D
- Niche Dimensions: 177.5 cm H x 56 cm W x 55 cm D

##### Key features - Fridge section

- Right hinged door, reversible
- Connection value 90 W
- 220 - 240 V

##### Key features - Freezer section

- 2 x egg tray

##### Country Specific Options

- Based on the results of the standard 24-hour test. Actual consumption depends on usage/position of the appliance.

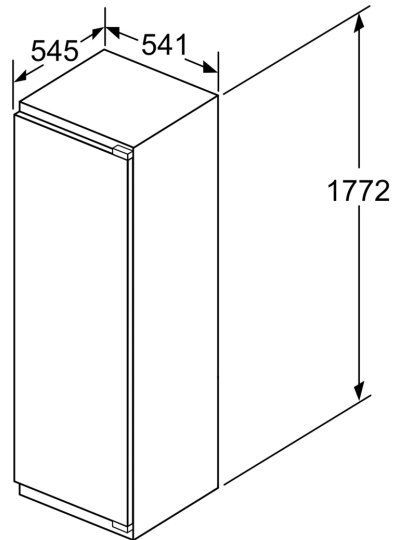
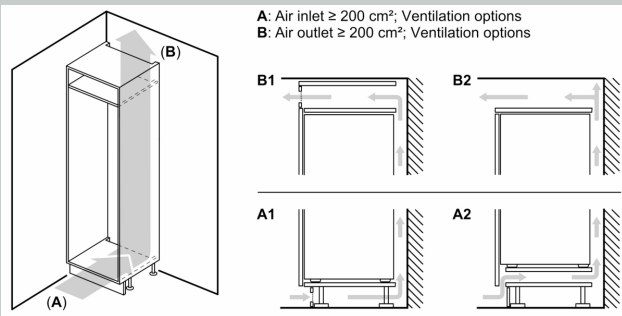
#### Design features

##### Additional features

##### Dimension and installation

- EU19\_EEK\_D: F
- Total Volume : 319 l
- Net Fridge Volume : 319 l
- Net Freezer Volume : 0 l
- Annual Energy Consumption: 144 kWh/a
- Climate Class: SN-ST
- EU19\_Fast freezer facility\_D
- Noise Level : 37 dB , EU19\_Noise emission class\_D: C

N 50, BUILT-IN FRIDGE, 177.5 X 56 CM, SLIDING  
HINGE  
K1812SFOG



measurements in mm

