

N 50, BUILT-IN FRIDGE WITH FREEZER SECTION,
122.5 X 56 CM, FLAT HINGE
K12422FE0



This built-in refrigerator with **** freezer compartment keeps food at its freshest thanks to the ideal air circulation Eco Air Flow and flexible storage options.

- ✓ Adjustable Glass Shelves – Height adjustable shelves create the space you need for inspiring dishes in your fridge
- ✓ Eco Air Flow – Even air circulation for constant temperatures and fast cooling.
- ✓ LED Light – Pleasant illumination for the entire fridge, with long-life LEDs.
- ✓ Our safety glass shelves happily shoulder generous loads of delicacies in your fridge

Energy Efficiency Class: E
 Average annual energy consumption in kilowatt hour per year (kWh/a): 147 kWh/a
 Sum of volume of frozen compartments: 15 l
 Sum of volume of chill compartments: 172 l
 Airborne acoustical noise emissions : 35 dB(A) re 1pW
 Airborne acoustical noise emission class: B
 Built-in / Free-standing: Built-in
 Door panel options: Possible but accessory
 Height: 1221 mm
 Width of the appliance: 541 mm
 Depth: 548 mm
 Min. required niche size for installation (HxWxD): .. 1225.0 x 560 x 550 mm
 Net weight: 40.2 kg
 Fuse protection: 10 A
 Door hinge: Right reversible
 Voltage: 220-240 V
 Frequency: 50 Hz
 Length electrical supply cord: 230.0 cm
 Number of compressors: 1
 Number of independent cooling systems: 1
 Interior ventilator: No
 Reversible Door Hinge: Yes
 Number of Adjustable Shelves in fridge compartment: 3
 Shelves for Bottles: No
 EAN code: 4242004264927
 Brand: Neff
 Product name / Commercial code: K12422FE0
 Product category: Refrigerator
 Frost free system: No
 Installation typology: Full-integrated
 Included accessories: 3 x egg tray, 1 x ice cube tray

3 x egg tray, 1 x ice cube tray

KF1413S0 Door panel with decor frame
 KF1413Z0 Door panel with decor frame
 KS6B0RZ0 Bottle Rack
 KSGG0MZ0 Butter box



*N 50, BUILT-IN FRIDGE WITH FREEZER SECTION,
122.5 X 56 CM, FLAT HINGE
K12422FE0*

Performance and Consumption

- EU19_EEK_D: E
- Total Volume : 187 l
- Net Fridge Volume : 172 l
- Net Freezer Volume : 15 l
- Freezing capacity 24h : 3 kg
- Annual Energy Consumption: 147 kWh/a
- Climate Class: SN-ST
- EU19_Fast freezer facility_D
- Noise Level : 35 dB , EU19_Noise emission class_D: B
- Temperature rise time : EU19_Temperature rise time_D: 10 H

Functions

- no handle
- Bright interior LED fridge light in fridge section

Design features

- Electronic control (LED chain)
- Single cooling circuit
- Super Cooling: automatic deactivation
- Acoustic door open warning indicator

Additional features

- White glossy back wall
- Door shelves in fridge door: 1 large and 3 small.
- 4 safety glass shelves (3 height adjustable)
- 1 hinged freezer compartment

Freshness System

- 1 FreshSafe drawer- The ideal place to store your fruit and vegetables safely.

Key features - Fridge section

- 2 x egg tray, 1 x ice cube tray

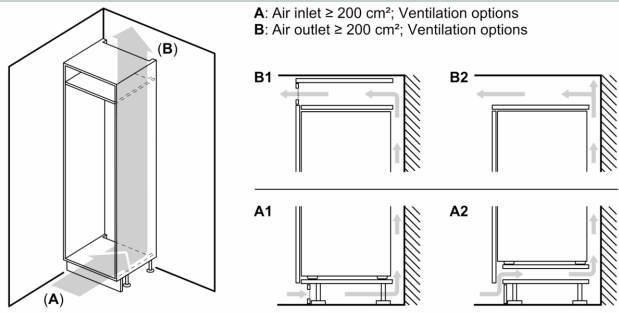
Dimension and installation

- Dimensions: 122.1 cm H x 54.1 cm W x 54.8 cm D
- Right hinged door, reversible
- Height adjustable front feet
- 220 - 240 V

Country Specific Options

- Based on the results of the standard 24-hour test. Actual consumption depends on usage/position of the appliance.

N 50, BUILT-IN FRIDGE WITH FREEZER SECTION,
122.5 X 56 CM, FLAT HINGE
K12422FE0



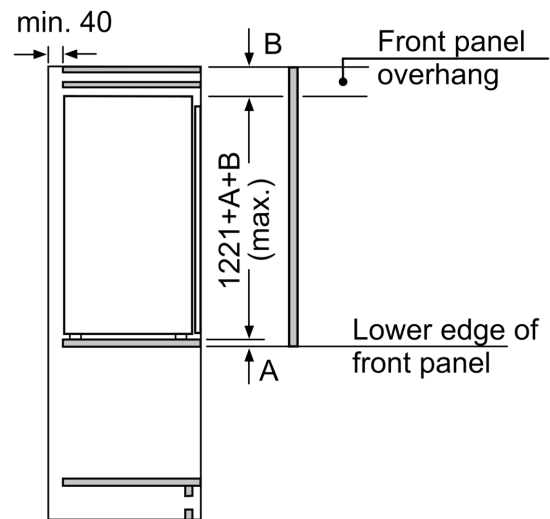
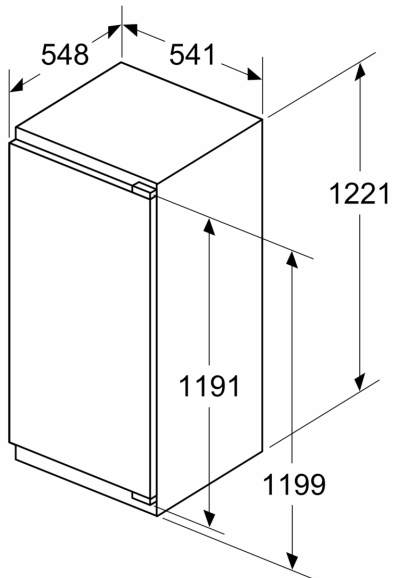
Maximal permissible weight of the unit fronts

Fitted unit fronts that exceed the permissible weight may cause damage and result in functional impairment of the hinges

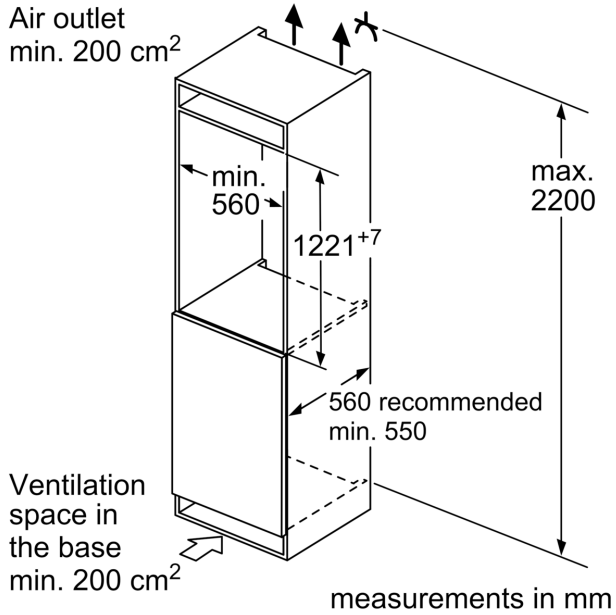
Δ Weight
A: Appliance door height including hinges in mm
B: Undamped hinge, unit front in kg
C: Damped hinge, unit front in kg
D: Additional possible load in kg with heavy load kit

A	B	C	D
1500-1750	22	22	
720-1400	19	19	B+5 / C+5
A1	15	19	
A2	15	19	

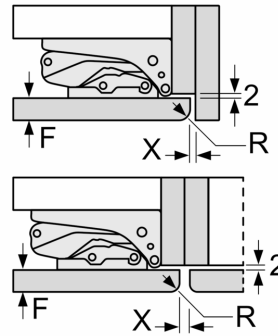
Measurements in mm



measurements in mm



measurements in mm
Recommended gap dimensions for flat hinges



F	R	X
16-19	0-3	2.5
20	0-1	3
	2-3	2.5
21	0-1	3
	2-3	2.5
22	0	4
	1	3.5
	2-3	3

The gap dimensions recommended in the table must be adhered to in order to ensure that appliance doors do not collide with anything when they are opened, and to avoid causing damage to kitchen units.