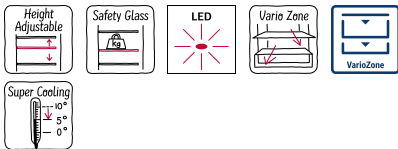


N 30, BUILT-IN FRIDGE WITH FREEZER SECTION,
177.5 X 56 CM, SLIDING HINGE
KI2821SE0G



3 x egg tray, 1 x ice cube tray

KS6B0RZO Bottle Rack
KSGG0MZO Butter box

The built-in fridge with spacious **** freezer compartment with Fresh Safe drawer for fruit and vegetables and plenty of flexible storage options.

- ✓ Adjustable Glass Shelves – Height adjustable shelves create the space you need for inspiring dishes in your fridge
- ✓ Our safety glass shelves happily shoulder generous loads of delicacies in your fridge
- ✓ LED Light – Pleasant illumination for the entire fridge, with long-life LEDs.
- ✓ Vario Zone – Personalise your drawers with various loading options to find the perfect fit.
- ✓ Super Cooling – Reduces the temperature for quick chilling, before returning to the regular setting.

Energy Efficiency Class:E
 Average annual energy consumption in kilowatt hour per year (kWh/a): 177 kWh/a
 Sum of volume of frozen compartments: 34 l
 Sum of volume of chill compartments: 246 l
 Airborne acoustical noise emissions : 35 dB(A) re 1 pW
 Airborne acoustical noise emission class: B
 Built-in / Free-standing: Built-in
 Door panel options: Not possible
 Height: 1772 mm
 Width of the appliance: 541 mm
 Depth: 548 mm
 Min. required niche size for installation (HxWxD): .. 1775.0 x 560 x 550 mm
 Net weight: 54.8 kg
 Fuse protection: 10 A
 Door hinge: Right reversible
 Voltage: 220-240 V
 Frequency: 50 Hz
 Length electrical supply cord: 230.0 cm
 Number of compressors: 1
 Number of independent cooling systems: 1
 Interior ventilator: Yes
 Reversible Door Hinge: Yes
 Number of Adjustable Shelves in fridge compartment: 4
 Shelves for Bottles: No
 EAN code: 4242004271994
 Brand: Neff
 Product name / Commercial code: KI2821SE0G
 Product category: Refrigerator
 Frost free system: No
 Installation typology: Full-integrated
 Included accessories: 3 x egg tray, 1 x ice cube tray



N 30, BUILT-IN FRIDGE WITH FREEZER SECTION,
177.5 X 56 CM, SLIDING HINGE
K12821SE0G

- Built-in fridge
- easy Installation
- Sliding hinge, softClosing door: No

Performance and Consumption

- EU19_EEK_D: E
- Total Volume : 280 l
- Annual Energy Consumption: 177 kWh/a
- EU19_Fast freezer facility_D
- Noise Level : 35 dB , EU19_Noise emission class_D: B

Functions

- Bright interior LED fridge light in fridge section

Design features

- Electronic control (LED chain)
- Super Cooling: automatic deactivation

Design features

- Net Fridge Volume : 246 l
- 6 safety glass shelves in fridge compartment of which 4 are height adjustable
- 5 door bins

Freshness System

- 2 vegetable/salad containers

Food freshness system

- Net Freezer Volume : 34 l
- Freezing capacity 24h : 2.5 kg
- Temperature rise time : EU19_Temperature rise time_D: 18 H
- 1 hinged freezer compartment

Dimension and installation

- Dimensions: 177.2 cm H x 54.1 cm W x 54.8 cm D
- Niche Dimensions: 177.5 cm H x 56 cm W x 55 cm D

Key features - Fridge section

- 220 - 240 V
- Climate Class: SN-ST
- Length of power cord:230 cm

Key features - Freezer section

- 2 x egg tray, 1 x ice cube tray

Country Specific Options

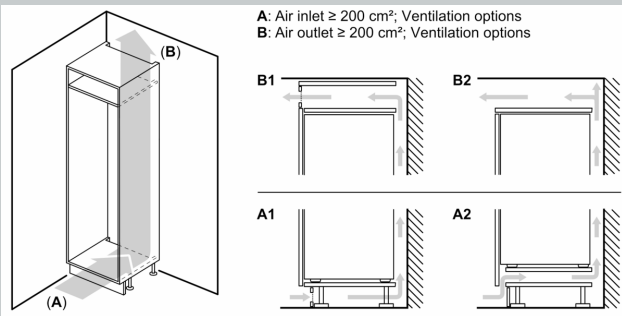
- Based on the results of the standard 24-hour test. Actual consumption depends on usage/position of the appliance.

Design features

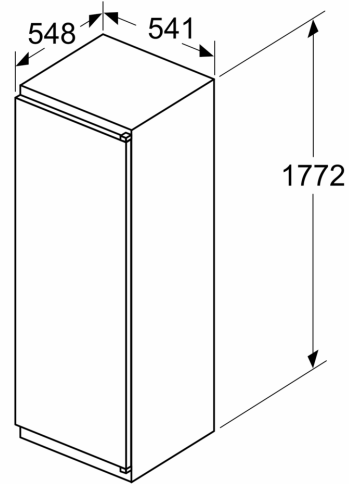
Dimension and installation

Additional features

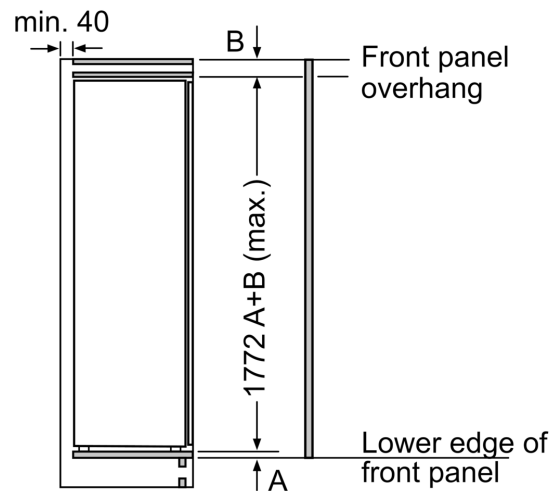
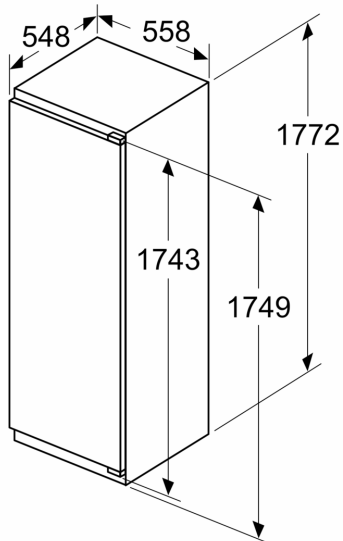
N 30, BUILT-IN FRIDGE WITH FREEZER SECTION,
177.5 X 56 CM, SLIDING HINGE
K12821SE0G



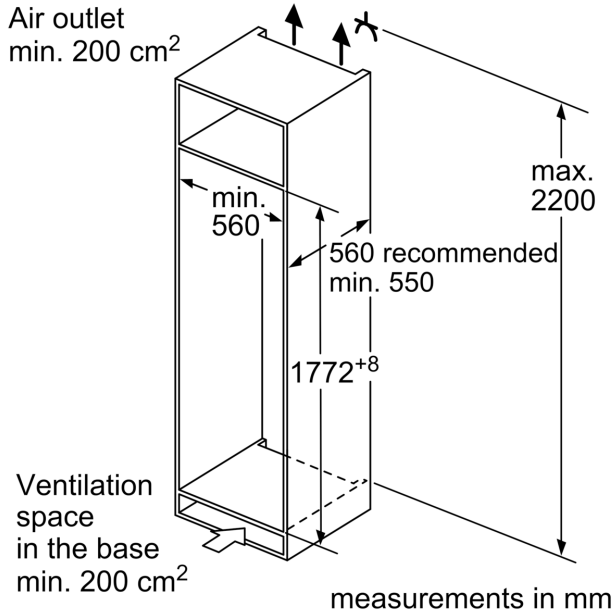
Measurements in mm



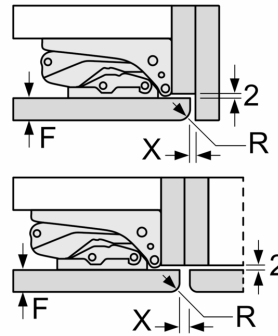
Measurements in mm



measurements in mm



measurements in mm
Recommended gap dimensions for flat hinges



F	R	X
16-19	0-3	2.5
20	0-1	3
	2-3	2.5
21	0-1	3
	2-3	2.5
22	0	4
	1	3.5
	2-3	3

The gap dimensions recommended in the table must be adhered to in order to ensure that appliance doors do not collide with anything when they are opened, and to avoid causing damage to kitchen units.