

N 70, Built-in fridge with freezer section, 177.5 x 56 cm, flat hinge
KI2823F30G



A++



This built-in refrigerator with ****freezer compartment keeps foods fresher for longer with very low energy consumption.

- ✓ Fresh Safe 2 <0°C> – Ideal storage for fruit and vegetables, fish and meat.
- ✓ Fresh Safe – Fridge drawer for flexible storage of your fresh fruit and vegetables.
- ✓ Easy Access Shelf – Slides out to give you better access to fridge contents.
- ✓ VarioShelf: The glass shelf can be divided and one half pushed beneath the other, for flexible interior configurations.
- ✓ Adjustable Glass Shelves – Height adjustable shelves create the space you need for inspiring dishes in your fridge

Features

Technical Data

Construction type : Built-in
 Door panel options : Not possible
 Height : 1772 mm
 Width of the appliance : 558 mm
 Depth of the product : 545 mm
 Required niche size for installation (HxWxD) : 1775.0 x 560 x 550 mm
 Net weight : 67.155 kg
 Connection rating : 90 W
 Fuse protection : 13 A
 Door hinge : Right reversible
 Voltage : 220-240 V
 Frequency : 50 Hz
 Approval certificates : CE, VDE
 Length of electrical supply cord : 230 cm
 Storage Period in Event of Power Failure (h) : 22 h
 Number of compressors : 1
 Number of independent cooling systems : 1
 Interior ventilator : No
 Reversible Door Hinge : Yes
 Number of Adjustable Shelves in fridge compartment (Stck) : 4
 Shelves for Bottles : No
 EAN code : 4242004165835
 Brand : Neff
 Product name / Commercial code : KI2823F30G
 Product category : Refrigerator
 Energy consumption annual - NEW (2010/30/EC) : 209.00 kWh/annum
 Refrigerator Net capacity - NEW (2010/30/EC) : 252 l
 Freezer Net capacity - NEW (2010/30/EC) : 34 l
 Frost free system : No
 Freezing capacity) - NEW (2010/30/EC) : 3 kg/24h
 Noise level : 36 dB(A) re 1 pW
 Climate class : SN-ST
 Installation type : Full-integrated

Optional accessories

Z10020 Bottle Rack



4 242004 165835

*N 70, Built-in fridge with freezer section, 177.5 x 56
cm, flat hinge
KI2823F30G*

Features

Performance and Consumption

- Energy consumption: 209 kWh kWh/yr.
- Total net capacity: 286 l litres
- Net fridge capacity: 252 litres
- Net freezer capacity: 34 litres
- Noise level dB(A) re 1 pW: 36

Design features

- Manual defrost freezer
- LED Electronic control
- Right hinged door, reversible

Food freshness system

- FreshSense - constant temperature by intelligent sensor technology - Constant temperature control by intelligent sensor technology
- Single cooling circuit

Key features - Fridge section

- 1 FreshSafe 2 drawer on telescopic rails; High humidity retains nutrients up to twice as long.
1 FreshSafe drawer on rails - The ideal place to store your fruit and vegetables safely.
- Bright interior LED fridge light
- Super Cooling: automatic deactivation
- Acoustic door open warning indicator
- 5 safety glass shelves (4 height adjustable)
- 5 door trays, including 1x dairy compartment
- Interior design with metal applications
- 2 x egg tray, 1 x ice cube tray

Key features - Freezer section

- 1 hinged freezer compartment
- 4 star freezer rating
- **** freezer (-18°C and below)
- Freezing capacity in 24 hours: 3 kg
- Maximum freezer storage time in power failure: 22 hours

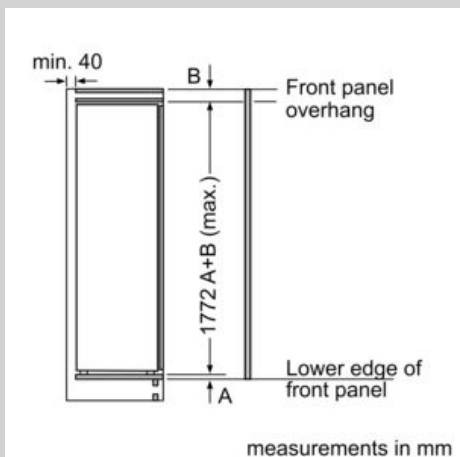
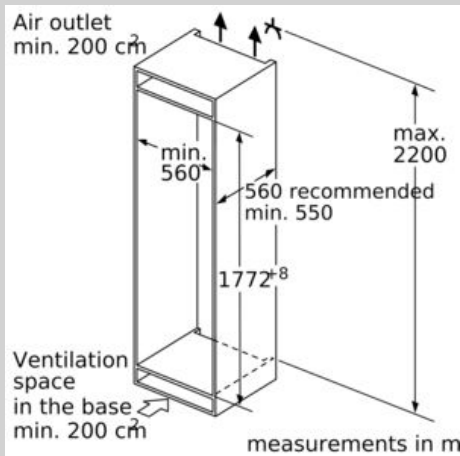
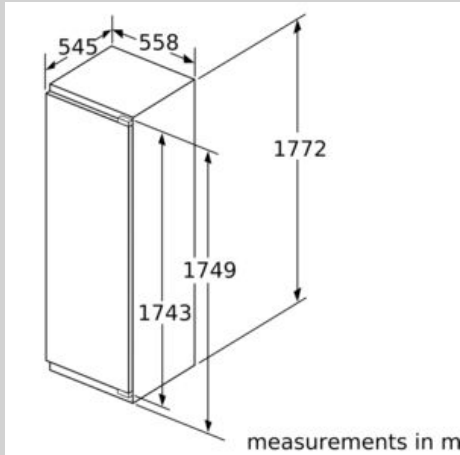
Functions

Dimension and installation

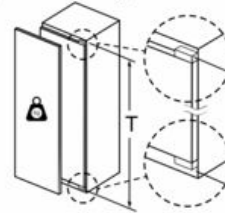
- Easy Installation
- Connection value 90 W
- Dimensions: 177.2 cm H x 55.8 cm W x 54.5 cm D
- Niche Dimensions: 177.5 cm H x 56 cm W x 55 cm D
- Climate class SN-ST (suitable for ambient temperatures between 10 to 38°C)
- Based on the results of the standard 24-hour test. Actual consumption depends on usage/position of the appliance.

N 70, Built-in fridge with freezer section, 177.5 x 56 cm, flat hinge
K12823F30G

Dimensioned drawings



Maximal permissible weight of the unit fronts

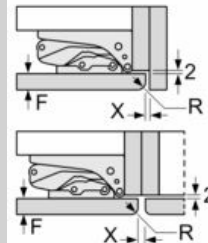


Fitted kitchen unit doors that exceed the permissible weight may cause damage and result in functional impairment of the hinges.

T: Includes height of appliance door Hinges in mm:	undamped hinge, Door in kg:	damped hinge, Door in kg:
1500-1750	22	22

measurements in mm

Recommended gap dimensions for flat hinges



F	R	X
16-19	0-3	2.5
20	0-1	3
	2-3	2.5
21	0-1	3
	2-3	2.5
22	0	4
	1	3.5
	2-3	3

The gap dimensions recommended in the table must be adhered to in order to ensure that appliance doors do not collide with anything when they are opened, and to avoid causing damage to kitchen units.