

N 50, BUILT-IN FRIDGE-FREEZER WITH FREEZER AT BOTTOM, 177.2 X 54.1 CM, SLIDING HINGE K15862SE0G



This built-in fridge-freezer with Fresh Safe keeps fruits and vegetables fresher for longer

- ✓ Low Frost – Reduces frost in the freezer compartment for faster defrosting
- ✓ Our safety glass shelves happily shoulder generous loads of delicacies in your fridge
- ✓ Adjustable Glass Shelves – Height adjustable shelves create the space you need for inspiring dishes in your fridge
- ✓ Eco Air Flow – Even air circulation for constant temperatures and fast cooling.
- ✓ Big Box – A roomy drawer for even more space for larger frozen items.

Energy Efficiency Class:E
 Average annual energy consumption in kilowatt hour per year (kWh/a): 229 kWh/a
 Sum of volume of frozen compartments: 84 l
 Sum of volume of chill compartments: 183 l
 Airborne acoustical noise emissions : 35 dB(A) re 1pW
 Airborne acoustical noise emission class: B
 Built-in / Free-standing: Built-in
 Door panel options: Not possible
 Height: 1772 mm
 Width of the appliance: 541 mm
 Depth: 548 mm
 Required niche size for installation (HxWxD): 1775 x 560 x 550 mm
 Net weight: 53.6 kg
 EAN code: 4242004252115
 Fuse protection: 10 A
 Door hinge: Right reversible
 Voltage: 220-240 V
 Frequency: 50 Hz
 Length electrical supply cord: 230.0 cm
 Number of compressors: 1
 Number of independent cooling systems: 1
 Interior ventilator: No
 Reversible Door Hinge: Yes
 Number of Adjustable Shelves in fridge compartment: 3
 Shelves for Bottles: No
 Frost free system: Not applicable
 Installation typology: Full-integrated

GS6B0BZ0 Box-in-Freezer-Box
 KS6B0RZ0 Bottle Rack
 KS9E0FZ0 Package Neff FlexCooling
 KSGG0MZ0 Butter box



*N 50, BUILT-IN FRIDGE-FREEZER WITH FREEZER
AT BOTTOM, 177.2 X 54.1 CM, SLIDING HINGE
KI5862SE0G*

Performance and Consumption

Functions

- Bright interior LED fridge light in fridge section

Design features

- Electronic control (LED chain)
- Super Cooling: No
- SuperFreeze function with automatic deactivation
- Acoustic door open warning indicator

Design features

- 3 safety glass shelves in fridge compartment of which 3 are height adjustable
- 1 removable door storage compartments.
- 3 door bins

Freshness System

- 1 FreshSafe drawer with humidity control retains freshness for longer.

Food freshness system

- lowFrost freezer
- 3 transparent freezer drawers, 1 bigbox

Dimension and installation

- Dimensions: 177.2 cm H x 54.1 cm W x 54.8 cm D
- Niche Dimensions: 177.5 cm H x 56 cm W x 55 cm D

Key features - Fridge section

- Right hinged door, reversible
- 220 - 240 V

Key features - Freezer section

- 1 x ice cube tray

Country Specific Options

- Based on the results of the standard 24-hour test. Actual consumption depends on usage/position of the appliance.

Design features

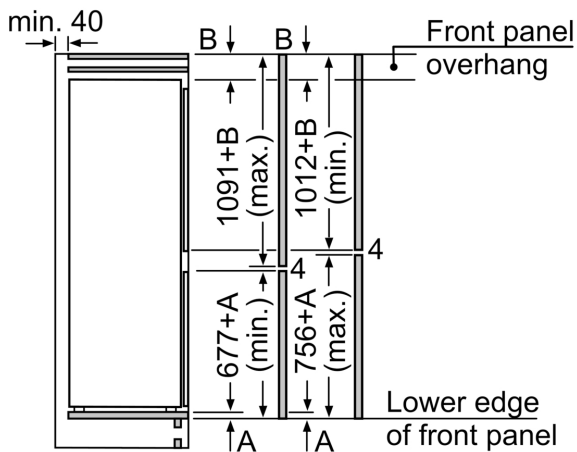
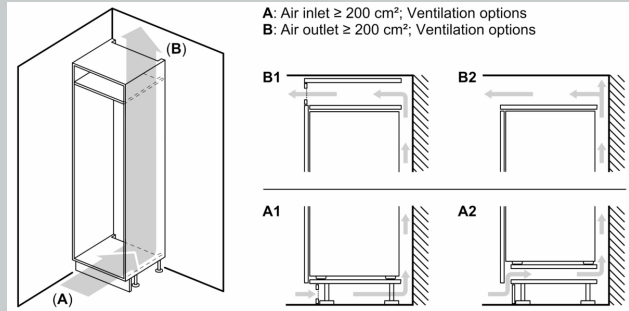
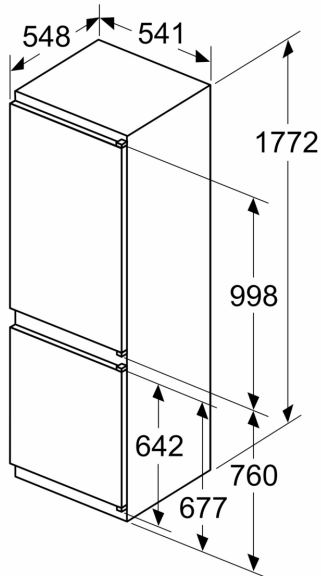
Dimension and installation

Additional features

- EU19_EEK_D: E
- Total Volume : 267 l
- Net Fridge Volume : 183 l
- Net Freezer Volume : 84 l
- Net 4* compartment volume : 84 l
- Freezing capacity 24h : 4.2 kg
- Annual Energy Consumption: 229 kWh/a
- Climate Class: SN-ST
- EU19_Fast freezer facility_D
- Noise Level : 35 dB , EU19_Noise emission class_D: B
- Temperature rise time : EU19_Temperature rise time_D: 9 H

N 50, BUILT-IN FRIDGE-FREEZER WITH FREEZER AT BOTTOM, 177.2 X 54.1 CM, SLIDING HINGE
KI5862SE0G

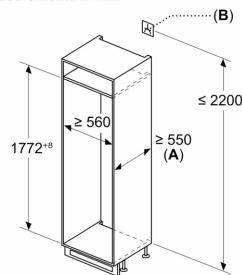
measurements in mm



The specified unit door dimensions are valid for a door gap of 4 mm.

measurements in mm

Measurements in mm



A: $\geq 560 \text{ mm}$ (recommended)
B: Socket