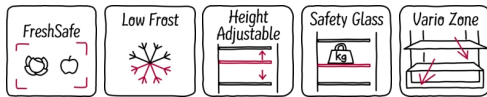


N 50, Built-in fridge-freezer with freezer at bottom, 177.2 x 54.1 cm, flat hinge
KI5872F30G



A++



This built-in combination refrigerator/freezer is the perfect place to store fruit and vegetables with very low energy consumption.

- ✓ Fresh Safe – Fridge drawer for flexible storage of your fresh fruit and vegetables.
- ✓ LowFrost: Reduces frost in the freezer compartment for faster defrosting.
- ✓ Adjustable Glass Shelves – Height adjustable shelves create the space you need for inspiring dishes in your fridge
- ✓ Our safety glass shelves happily shoulder generous loads of delicacies in your fridge
- ✓ Individualize your drawers with various loading options to create the optimal fit for frozen goodies

Features

Technical Data

Construction type : Built-in
 Door panel options : Not possible
 Width of the appliance : 541 mm
 Depth of the product : 545 mm
 Required niche size for installation (HxWxD) : 1775.0 x 560 x 550 mm
 Net weight : 64.119 kg
 Connection rating : 90 W
 Fuse protection : 13 A
 Door hinge : Right reversible
 Voltage : 220-240 V
 Frequency : 50 Hz
 Approval certificates : CE, VDE
 Length of electrical supply cord : 230 cm
 Storage Period in Event of Power Failure (h) : 26 h
 Number of compressors : 1
 Number of independent cooling systems : 1
 Interior ventilator : No
 Reversible Door Hinge : Yes
 Number of Adjustable Shelves in fridge compartment (Stck) : 4
 Shelves for Bottles : No
 EAN code : 4242004188995
 Brand : Neff
 Product name / Commercial code : KI5872F30G
 Energy consumption annual - NEW (2010/30/EC) : 227.00 kWh/annum
 Refrigerator Net capacity - NEW (2010/30/EC) : 209 l
 Freezer Net capacity - NEW (2010/30/EC) : 63 l
 Frost free system : No
 Freezing capacity) - NEW (2010/30/EC) : 3 kg/24h
 Climate class : SN-T
 Noise level : 38 dB(A) re 1 pW
 Installation type : Full-integrated

Optional accessories

Z10020 Bottle Rack



4 242004 188995

*N 50, Built-in fridge-freezer with freezer at bottom,
177.2 x 54.1 cm, flat hinge
KI5872F30G*

Features

Performance and Consumption

- Energy Efficiency Class: A++
- Energy Efficiency Class: A++ kWh/yr: 0.621 kWh
- Total net capacity: 272 l litres
- Net fridge capacity: 209 litres
- Net freezer capacity: 63 litres
- Noise level dB(A) re 1 pW: 38
- Climate class SN-T (suitable for ambient temperatures between 10 to 43°C)

Design features

- Electronic control (LED chain)
- Manual defrost freezer
- Right hinged door, reversible
- Removable magnetic door seals - easy to clean

Food freshness system

- FreshSense - constant temperature by intelligent sensor technology - Constant temperature control by intelligent sensor technology
- Single cooling circuit

Key features - Fridge section

- 5 door bins
- Automatic defrost fridge
- Bright interior LED fridge light
- 5 safety glass shelves in fridge compartment of which 4 are height adjustable
- 1 FreshSafe drawer- The ideal place to store your fruit and vegetables safely.
- 2 x cold accumulator, 2 x egg tray, 1 x ice cube tray

Key features - Freezer section

- Freezing capacity in 24 hours: 3 kg
- Maximum freezer storage time in power failure: 26 hours
- Removeable safety glass shelves in freezer
- 2 transparent freezer drawers, 1 bigbox
- **** freezer (-18°C and below)
- 4 star freezer rating
- 2 freezer drawers

Functions

- SuperFreeze function with automatic deactivation

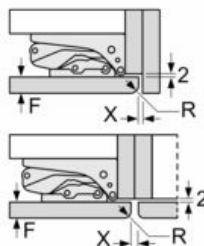
Dimension and installation

- Connection value 90 W
- Dimensions: 177.2 cm H x 54.1 cm W x 54.5 cm D
- Niche Dimensions: 177.5 cm H x 56 cm W x 55 cm D
- Based on the results of the standard 24-hour test. Actual consumption depends on usage/position of the appliance.

N 50, Built-in fridge-freezer with freezer at bottom,
 177.2 x 54.1 cm, flat hinge
 KI5872F30G

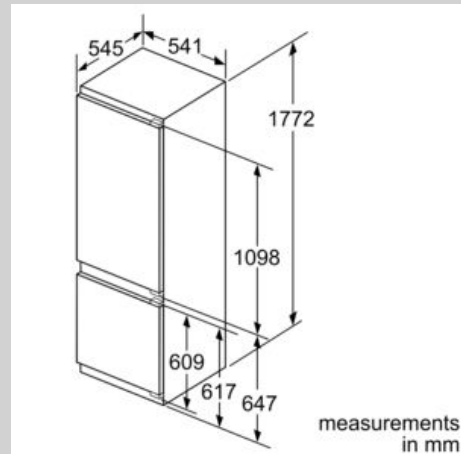
Dimensioned drawings

measurements in mm
 Recommended gap dimensions for flat hinges

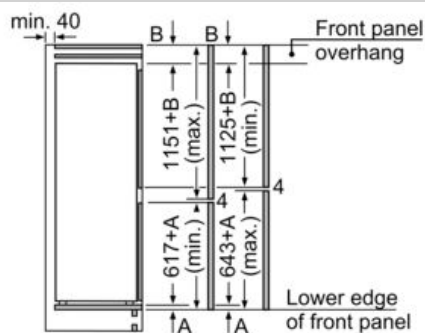


F	R	X
16-19	0-3	2.5
20	0-1	3
	2-3	2.5
21	0-1	3
	2-3	2.5
22	0	4
	1	3.5
	2-3	3

The gap dimensions recommended in the table must be adhered to in order to ensure that appliance doors do not collide with anything when they are opened, and to avoid causing damage to kitchen units.

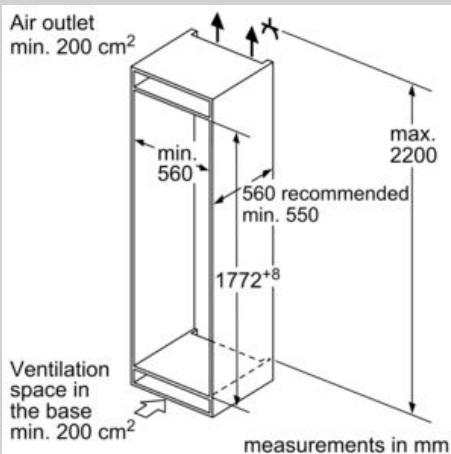


measurements in mm



The specified unit door dimensions are valid for a door gap of 4 mm.

measurements in mm



measurements in mm