

N 50, Built-in fridge-freezer with freezer at bottom, 177.2 x 54.1 cm, sliding hinge
KI5872S30G



A++



This built-in combination refrigerator/freezer is the perfect place to store fruit and vegetables with very low energy consumption.

- ✓ Fresh Safe – Fridge drawer for flexible storage of your fresh fruit and vegetables.
- ✓ LowFrost: Reduces frost in the freezer compartment for faster defrosting.
- ✓ Adjustable Glass Shelves – Height adjustable shelves create the space you need for inspiring dishes in your fridge
- ✓ Our safety glass shelves happily shoulder generous loads of delicacies in your fridge
- ✓ Individualize your drawers with various loading options to create the optimal fit for frozen goodies

Features

Technical Data

Construction type : Built-in
 Door panel options : Not possible
 Width of the appliance : 541 mm
 Depth of the product : 545 mm
 Required niche size for installation (HxWxD) : 1775.0 x 560 x 550 mm
 Net weight : 71.699 kg
 Connection rating : 90 W
 Fuse protection : 13 A
 Door hinge : Right reversible
 Voltage : 220-240 V
 Frequency : 50 Hz
 Approval certificates : CE, VDE
 Length of electrical supply cord : 230 cm
 Storage Period in Event of Power Failure (h) : 26 h
 Number of compressors : 1
 Number of independent cooling systems : 1
 Interior ventilator : No
 Reversible Door Hinge : Yes
 Number of Adjustable Shelves in fridge compartment (Stck) : 4
 Shelves for Bottles : No
 EAN code : 4242004189008
 Brand : Neff
 Product name / Commercial code : KI5872S30G
 Energy consumption annual - NEW (2010/30/EC) : 227.00 kWh/annum
 Refrigerator Net capacity - NEW (2010/30/EC) : 209 l
 Freezer Net capacity - NEW (2010/30/EC) : 63 l
 Frost free system : No
 Freezing capacity) - NEW (2010/30/EC) : 3 kg/24h
 Climate class : SN-T
 Noise level : 38 dB(A) re 1 pW
 Installation type : Full-integrated

Optional accessories

Z10020 Bottle Rack



4 242004 189008

*N 50, Built-in fridge-freezer with freezer at bottom,
177.2 x 54.1 cm, sliding hinge
KI5872S30G*

Features

Performance and Consumption

- Energy Efficiency Class: A++
- Energy Efficiency Class: A++ kWh/yr: 0.621 kWh
- Total net capacity: 272 l litres
- Net fridge capacity: 209 litres
- Net freezer capacity: 63 litres
- Noise level dB(A) re 1 pW: 38
- Climate class SN-T (suitable for ambient temperatures between 10 to 43°C)

Design features

- Electronic control (LED chain)
- Manual defrost freezer
- Right hinged door, reversible
- Removable magnetic door seals - easy to clean

Food freshness system

- FreshSense - constant temperature by intelligent sensor technology - Constant temperature control by intelligent sensor technology
- Single cooling circuit

Key features - Fridge section

- 5 door bins
- Automatic defrost fridge
- Bright interior LED fridge light
- 5 safety glass shelves in fridge compartment of which 4 are height adjustable
- 1 FreshSafe drawer- The ideal place to store your fruit and vegetables safely.
- 2 x cold accumulator, 2 x egg tray, 1 x ice cube tray

Key features - Freezer section

- Freezing capacity in 24 hours: 3 kg
- Maximum freezer storage time in power failure: 26 hours
- Removeable safety glass shelves in freezer
- 2 transparent freezer drawers, 1 bigbox
- **** freezer (-18°C and below)
- 4 star freezer rating
- 2 freezer drawers

Functions

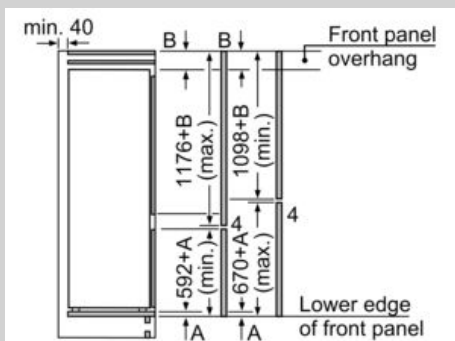
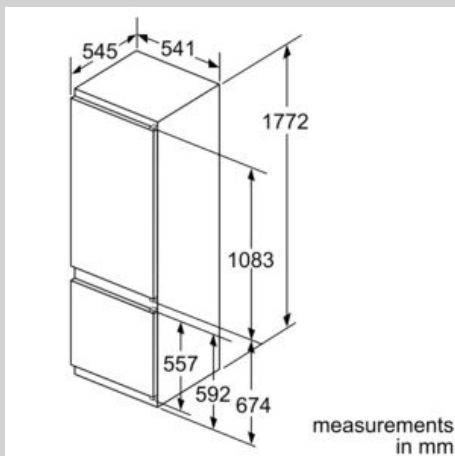
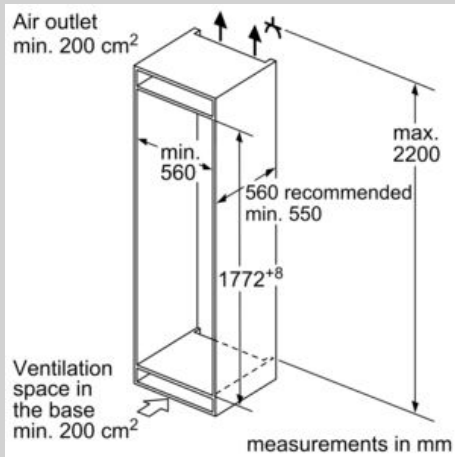
- SuperFreeze function with automatic deactivation

Dimension and installation

- Connection value 90 W
- Dimensions: 177.2 cm H x 54.1 cm W x 54.5 cm D
- Niche Dimensions: 177.5 cm H x 56 cm W x 55 cm D
- Based on the results of the standard 24-hour test. Actual consumption depends on usage/position of the appliance.

N 50, Built-in fridge-freezer with freezer at bottom,
 177.2 x 54.1 cm, sliding hinge
 KI5872S30G

Dimensioned drawings



The specified unit door dimensions
 are valid for a door gap of 4 mm.

measurements in mm