

N 70, Built-in fridge-freezer with freezer at bottom, 177.2 x
55.8 cm, flat hinge
KI6873F30G



A++



This built-in combination refrigerator/freezer with LowFrost

- ✓ Fresh Safe 2 <0°C> – Ideal storage for fruit and vegetables, fish and meat.
- ✓ LowFrost: Reduces frost in the freezer compartment for faster defrosting.
- ✓ Easy Access Shelf – Slides out to give you better access to fridge contents.
- ✓ VarioShelf: The glass shelf can be divided and one half pushed beneath the other, for flexible interior configurations.
- ✓ Adjustable Glass Shelves – Height adjustable shelves create the space you need for inspiring dishes in your fridge

Features

Technical Data

Construction type : Built-in
 Door panel options : Not possible
 Width of the appliance : 558 mm
 Depth of the product : 545 mm
 Required niche size for installation (HxWxD) : 1775.0 x 560 x 550 mm
 Net weight : 67.451 kg
 Connection rating : 90 W
 Fuse protection : 13 A
 Door hinge : Right reversible
 Voltage : 220-240 V
 Frequency : 50 Hz
 Approval certificates : CE, VDE
 Length of electrical supply cord : 230 cm
 Storage Period in Event of Power Failure (h) : 26 h
 Number of compressors : 1
 Number of independent cooling systems : 2
 Interior ventilator : No
 Reversible Door Hinge : Yes
 Number of Adjustable Shelves in fridge compartment (Stck) : 4
 Shelves for Bottles : No
 EAN code : 4242004162650
 Brand : Neff
 Product name / Commercial code : KI6873F30G
 Energy consumption annual - NEW (2010/30/EC) : 225.00 kWh/annum
 Refrigerator Net capacity - NEW (2010/30/EC) : 209 l
 Freezer Net capacity - NEW (2010/30/EC) : 61 l
 Frost free system : No
 Freezing capacity) - NEW (2010/30/EC) : 7 kg/24h
 Climate class : SN-T
 Noise level : 36 dB(A) re 1 pW
 Installation type : Full-integrated

Optional accessories

Z10020 Bottle Rack



4 242004 162650

*N 70, Built-in fridge-freezer with freezer at bottom,
177.2 x 55.8 cm, flat hinge
KI6873F30G*

Features

Performance and Consumption

- Energy Efficiency Class: A++
- Energy Efficiency Class: A++ kWh/yr: 0.616 kWh
- Total net capacity: 270 l litres
- Net fridge capacity: 209 litres
- Net freezer capacity: 61 litres
- Noise level dB(A) re 1 pW: 36

Design features

- Manual defrost freezer
- Fixed hinge, softClosing door: No
- Right hinged door, reversible
- Electronic controls for fridge and freezer
- Removable magnetic door seals - easy to clean

Food freshness system

- FreshSense - constant temperature by intelligent sensor technology - Constant temperature control by intelligent sensor technology
- 1 FreshSafe 2 drawer; High humidity retains nutrients up to twice as long
- Two separate cooling circuits allow independent temperature control and prevents the transference of humidity between the fridge and freezer cavity

Key features - Fridge section

- Automatic defrost fridge
- Bright interior LED fridge light
- 5 safety glass shelves in fridge compartment of which 4 are height adjustable
- Super Cooling: automatic deactivation

Key features - Freezer section

- 4 star freezer rating
- 2 transparent freezer drawers, 1 bigbox
- Freezing capacity in 24 hours: 7 kg
- Maximum freezer storage time in power failure: 26 hours

Functions

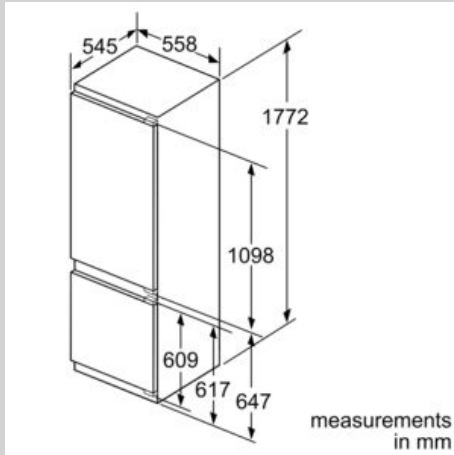
- Freezer malfunction warning signal: optical and acoustical
- SuperFreeze function with automatic deactivation
- Acoustic door open warning indicator

Dimension and installation

- Connection value 90 W
- Dimensions: 177.2 cm H x 55.8 cm W x 54.5 cm D
- Niche Dimensions: 177.5 cm H x 56 cm W x 55 cm D
- Climate class SN-T (suitable for ambient temperatures between 10 to 43°C)
- Based on the results of the standard 24-hour test. Actual consumption depends on usage/position of the appliance.

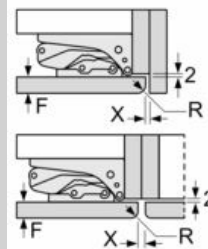
N 70, Built-in fridge-freezer with freezer at bottom,
 177.2 x 55.8 cm, flat hinge
 KI6873F30G

Dimensioned drawings



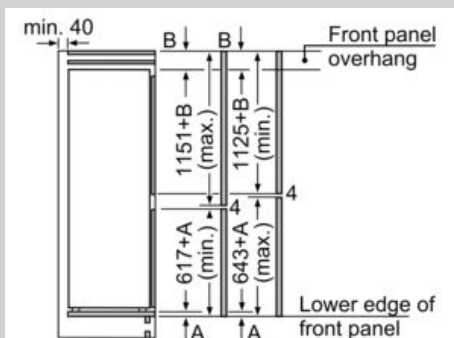
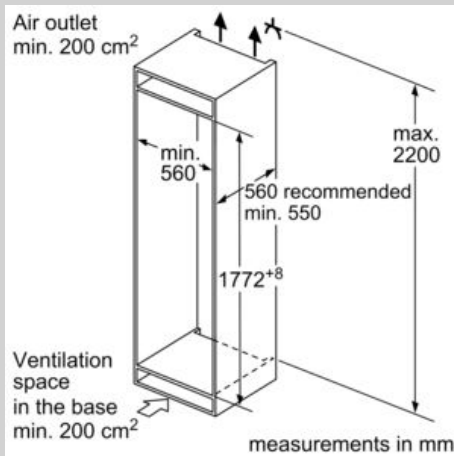
measurements in mm

Recommended gap dimensions for flat hinges



F	R	X
16-19	0-3	2.5
20	0-1	3
	2-3	2.5
21	0-1	3
	2-3	2.5
22	0	4
	1	3.5
	2-3	3

The gap dimensions recommended in the table must be adhered to in order to ensure that appliance doors do not collide with anything when they are opened, and to avoid causing damage to kitchen units.



The specified unit door dimensions are valid for a door gap of 4 mm.

measurements in mm