

N 70, Built-in fridge-freezer with freezer at bottom, 177.2 x 55.8 cm, soft close flat hinge
KI7853D30G



A++



This built-in combination refrigerator/freezer is the perfect place to store fruit and vegetables with very low energy consumption.

- ✓ Fresh Safe 2 <0°C> – Ideal storage for fruit and vegetables, fish and meat.
- ✓ No Frost – No more defrosting your freezer.
- ✓ Easy Access Shelf – Slides out to give you better access to fridge contents.
- ✓ VarioShelf: The glass shelf can be divided and one half pushed beneath the other, for flexible interior configurations.
- ✓ Adjustable Glass Shelves – Height adjustable shelves create the space you need for inspiring dishes in your fridge

Features

Technical Data

Construction type : Built-in
 Door panel options : Not possible
 Width of the appliance : 558 mm
 Depth of the product : 545 mm
 Required niche size for installation (HxWxD) : 1775.0 x 560 x 550 mm
 Net weight : 69.542 kg
 Connection rating : 90 W
 Fuse protection : 13 A
 Door hinge : Right reversible
 Voltage : 220-240 V
 Frequency : 50 Hz
 Approval certificates : CE, G-Mark, VDE
 Length of electrical supply cord : 230 cm
 Storage Period in Event of Power Failure (h) : 13 h
 Number of compressors : 1
 Number of independent cooling systems : 2
 Interior ventilator : No
 Reversible Door Hinge : Yes
 Number of Adjustable Shelves in fridge compartment (Stck) : 3
 Shelves for Bottles : No
 EAN code : 4242004162384
 Brand : Neff
 Product name / Commercial code : KI7853D30G
 Energy consumption annual - NEW (2010/30/EC) : 232.00 kWh/annum
 Refrigerator Net capacity - NEW (2010/30/EC) : 154 l
 Freezer Net capacity - NEW (2010/30/EC) : 92 l
 Frost free system : Freezer
 Freezing capacity) - NEW (2010/30/EC) : 9 kg/24h
 Climate class : SN-ST
 Noise level : 39 dB(A) re 1 pW
 Installation type : Full-integrated

Optional accessories

Z10020 Bottle Rack



4 242004 162384

*N 70, Built-in fridge-freezer with freezer at bottom,
177.2 x 55.8 cm, soft close flat hinge
KI7853D30G*

Features

Performance and Consumption

- Energy Efficiency Class: A++
- Energy Efficiency Class: A++ kWh/yr: 0.635 kWh
- Total net capacity: 246 l litres
- Net fridge capacity: 154 litres
- Net freezer capacity: 92 litres
- Noise level dB(A) re 1 pW: 39

Design features

- Automatic defrost freezer
- Right hinged door, reversible
- Electronic controls for fridge and freezer
- Removable magnetic door seals - easy to clean

Food freshness system

- 1 FreshSafe 2 drawer; High humidity retains nutrients up to twice as long
- FreshSense - constant temperature by intelligent sensor technology - Constant temperature control by intelligent sensor technology
- Two separate cooling circuits allow independent temperature control and prevents the transference of humidity between the fridge and freezer cavity

Key features - Fridge section

- Automatic defrost fridge
- Bright interior LED fridge light
- 4 safety glass shelves in fridge compartment of which 3 are height adjustable
- Super Cooling; automatic deactivation

Key features - Freezer section

- noFrost freezer
- 4 star freezer rating
- 4 freezer drawers
- Freezing capacity in 24 hours: 9 kg
- Maximum freezer storage time in power failure: 13 hours

Functions

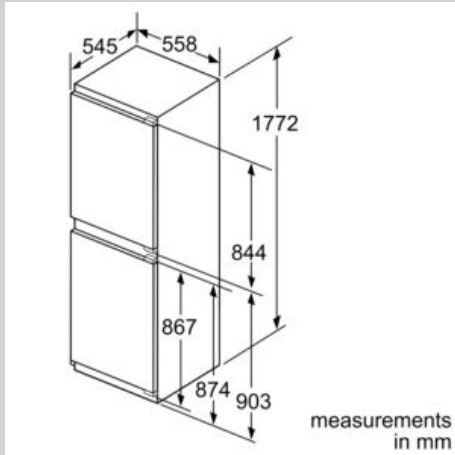
- Freezer malfunction warning signal: optical and acoustical
- SuperFreeze function with automatic deactivation
- Acoustic door open warning indicator

Dimension and installation

- Connection value 90 W
- Dimensions: 177.2 cm H x 55.8 cm W x 54.5 cm D
- Niche Dimensions: 177.5 cm H x 56 cm W x 55 cm D
- Climate class SN-ST (suitable for ambient temperatures between 10 to 38°C)

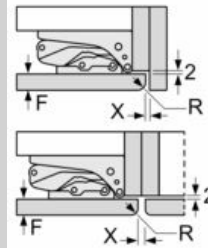
N 70, Built-in fridge-freezer with freezer at bottom,
 177.2 x 55.8 cm, soft close flat hinge
 KI7853D30G

Dimensioned drawings



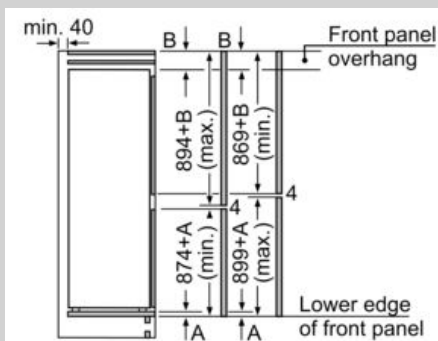
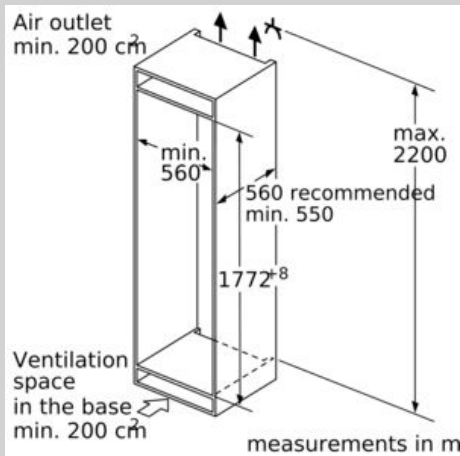
measurements in mm

Recommended gap dimensions for flat hinges



F	R	X
16-19	0-3	2.5
20	0-1	3
	2-3	2.5
21	0-1	3
	2-3	2.5
22	0	4
	1	3.5
	2-3	3

The gap dimensions recommended in the table must be adhered to in order to ensure that appliance doors do not collide with anything when they are opened, and to avoid causing damage to kitchen units.



The specified unit door dimensions are valid for a door gap of 4 mm.

measurements in mm